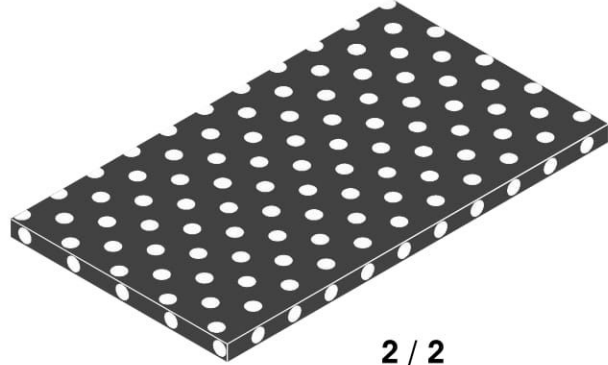
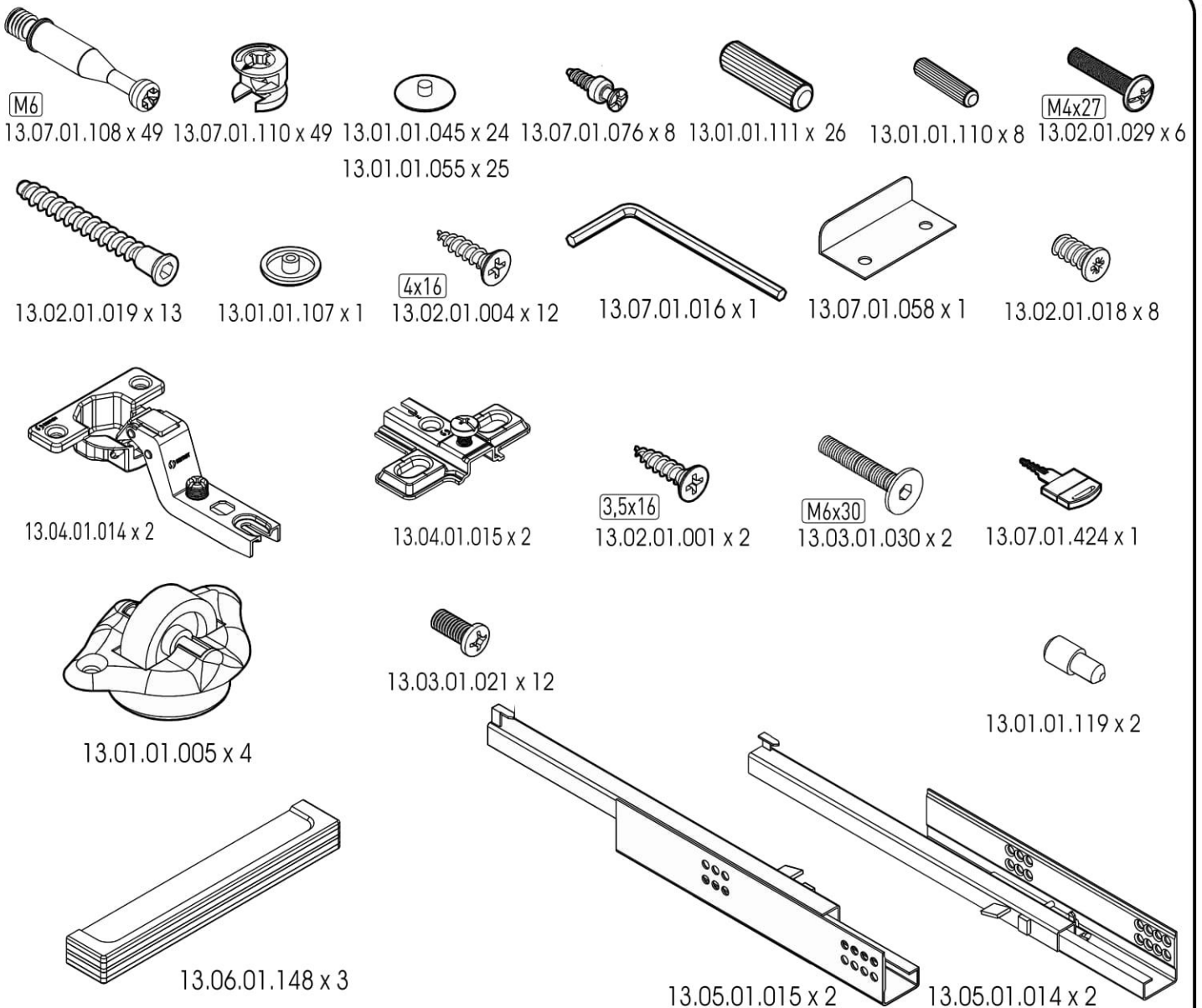
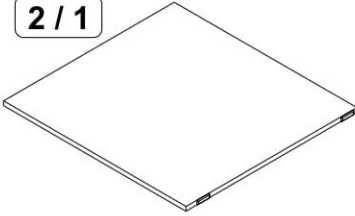


2 / 1

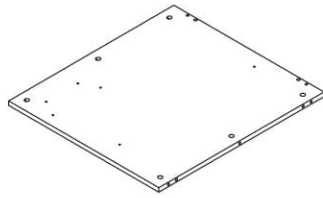


2 / 2

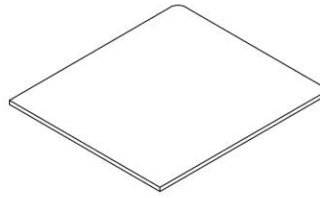




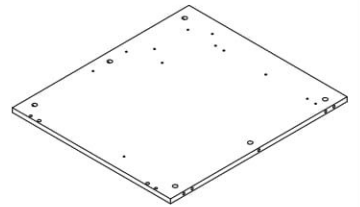
18.50.1101.001 X 1



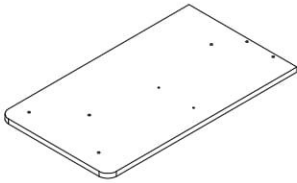
18.50.1101.012 X 1



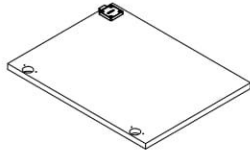
18.50.1101.024 X 1



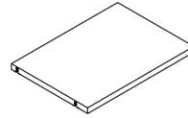
18.50.1101.014 X 1



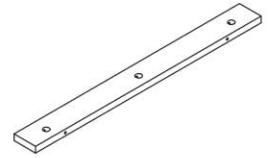
18.50.1101.016 X 1



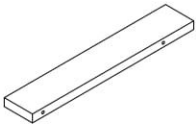
18.50.1101.018 X 1



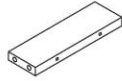
18.50.1101.015 X 1



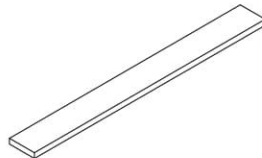
18.50.1101.025 X 1



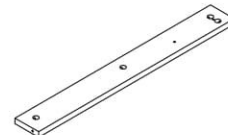
18.50.1101.026 X 1



18.50.1101.027 X 1



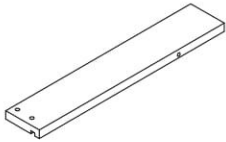
18.50.1101.003 X 1



18.50.1101.004 X 1



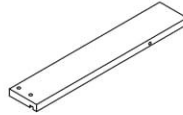
18.50.1101.028 X 1



18.50.1101.007 X 1



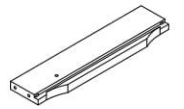
18.50.1101.008 X 1



18.50.1101.020 X 1



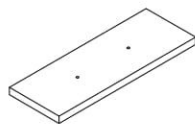
18.50.1101.021 X 1



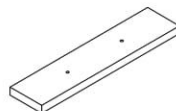
18.50.1101.010 X 1



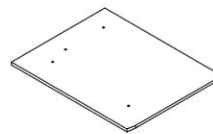
18.50.1101.023 X 1



18.50.1101.006 X 1



18.50.1101.019 X 1



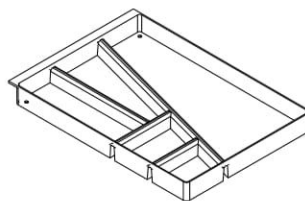
18.50.1101.009 X 1



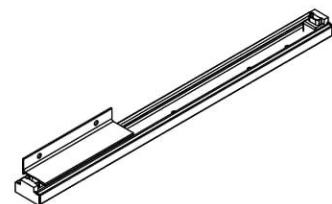
18.50.1101.022 X 1



18.50.1101.029 X 1

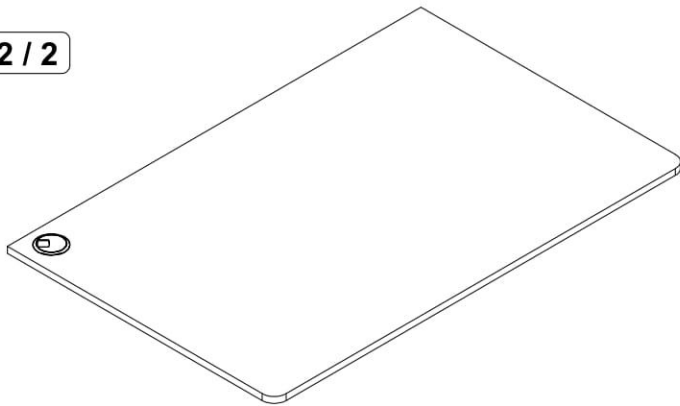


13.01.01.287 X 1

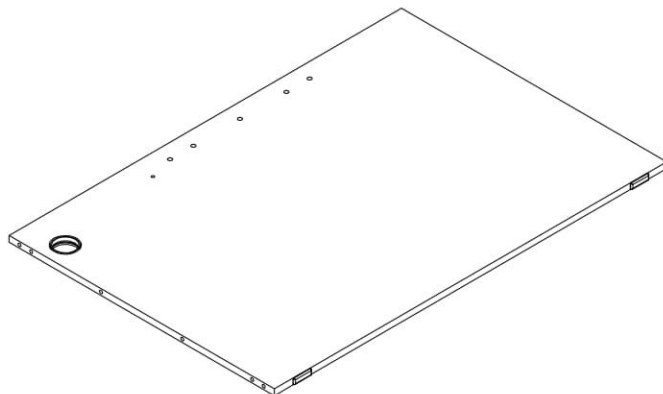


13.05.01.030 X 2

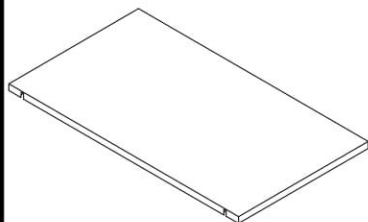
2 / 2



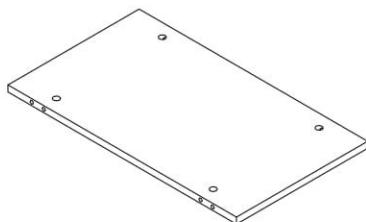
18.50.1101.005 X 1



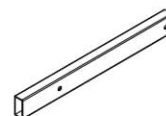
18.50.1101.002 X 1



18.50.1101.017 X 1



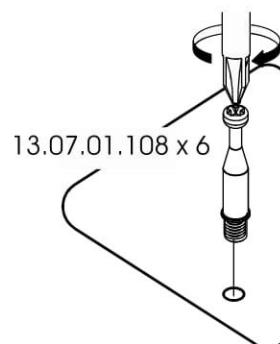
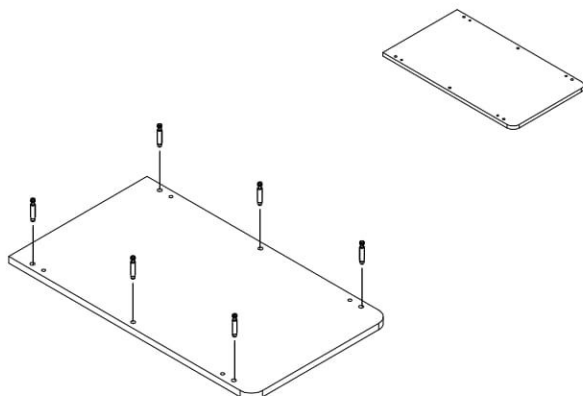
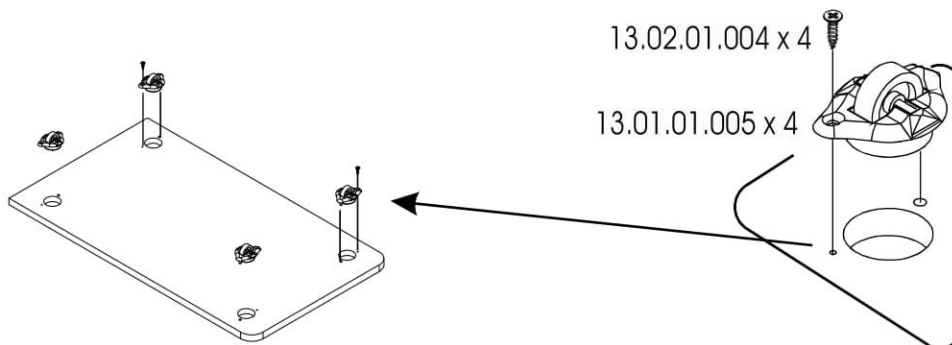
18.50.1101.013 X 1



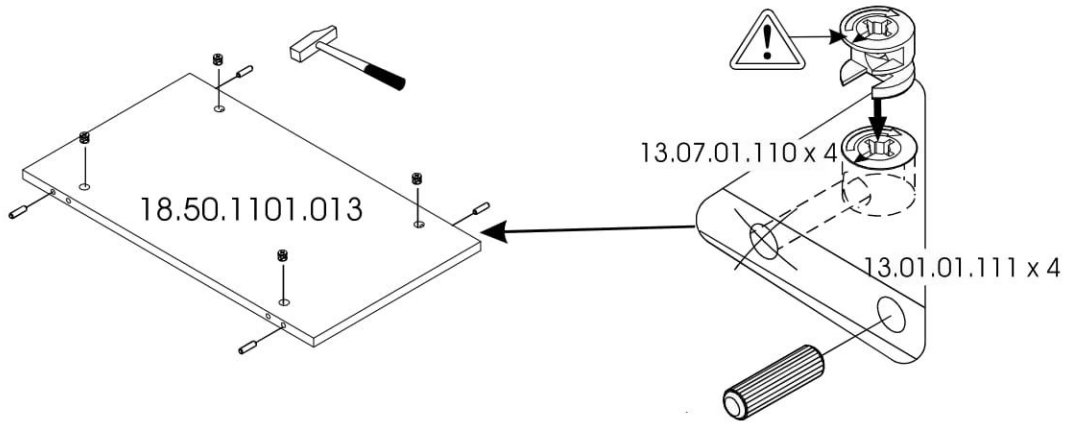
18.50.1101.011 X 1

18.50.1101.201 X 1

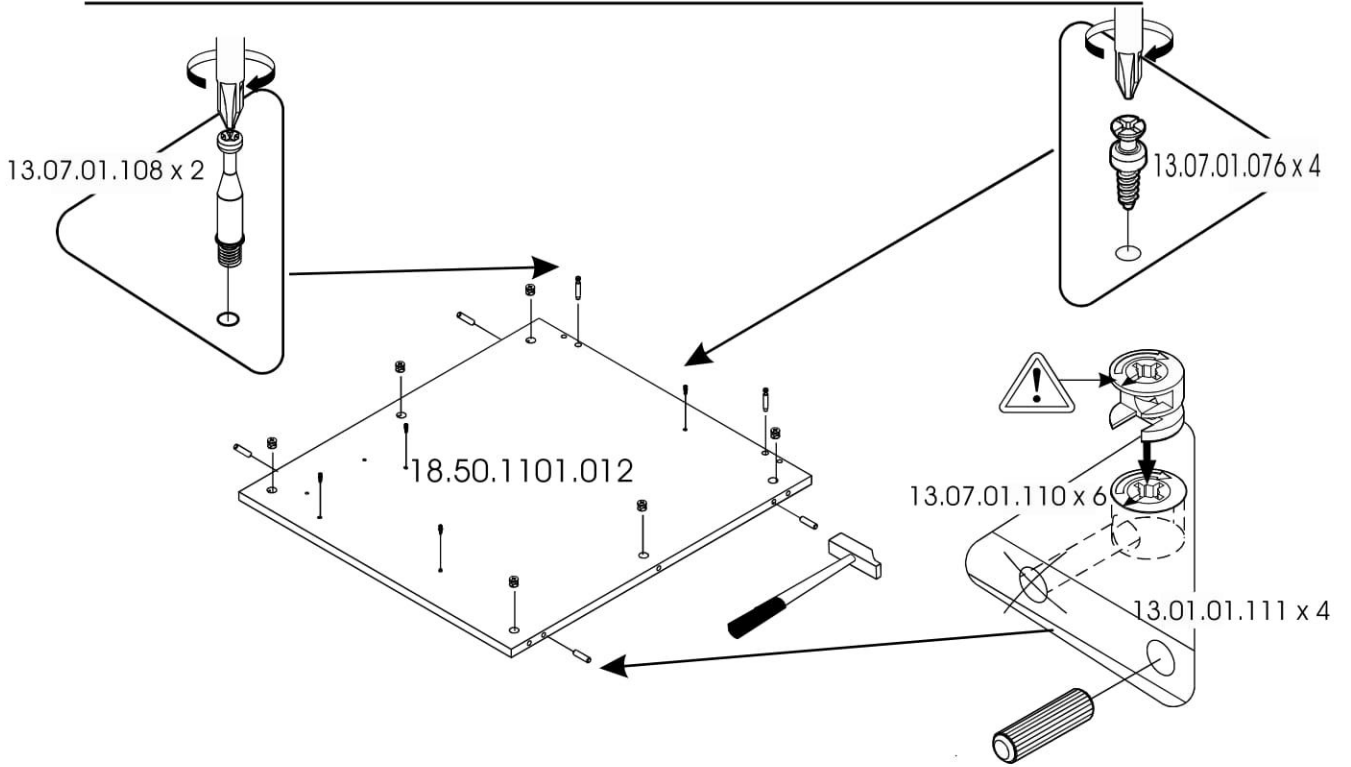
1



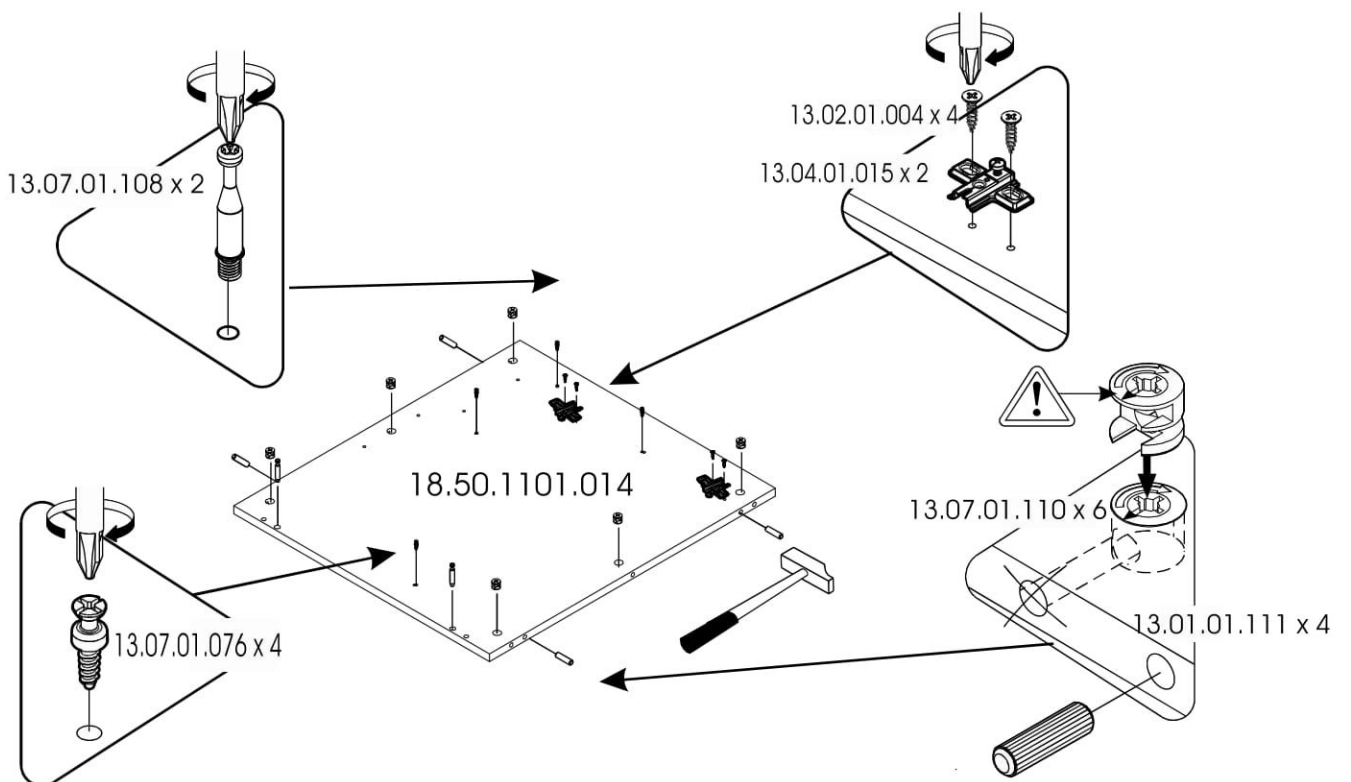
3



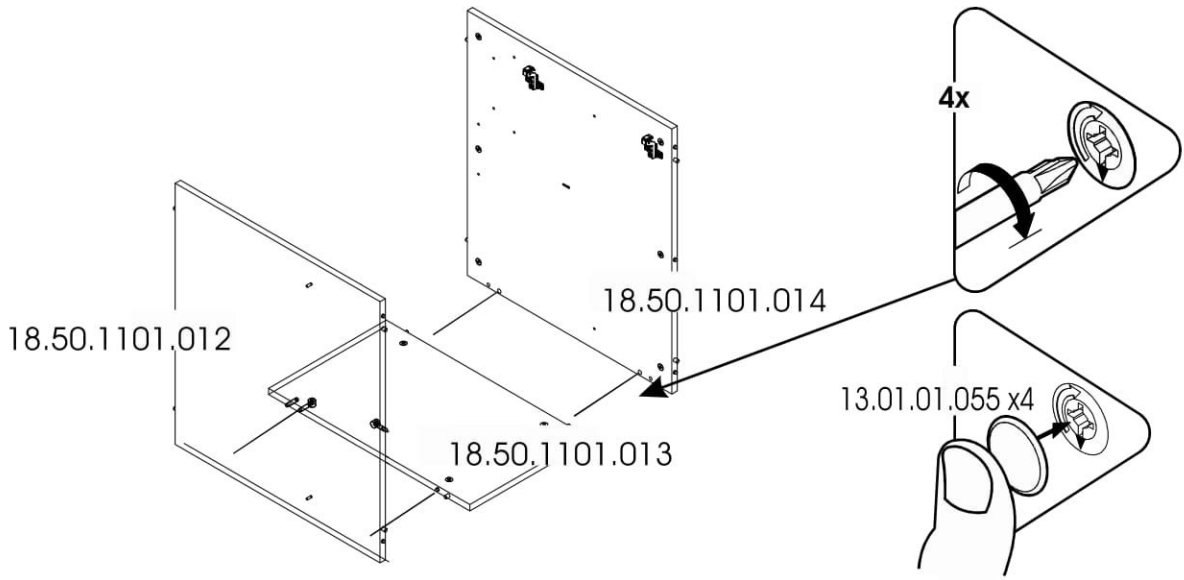
4



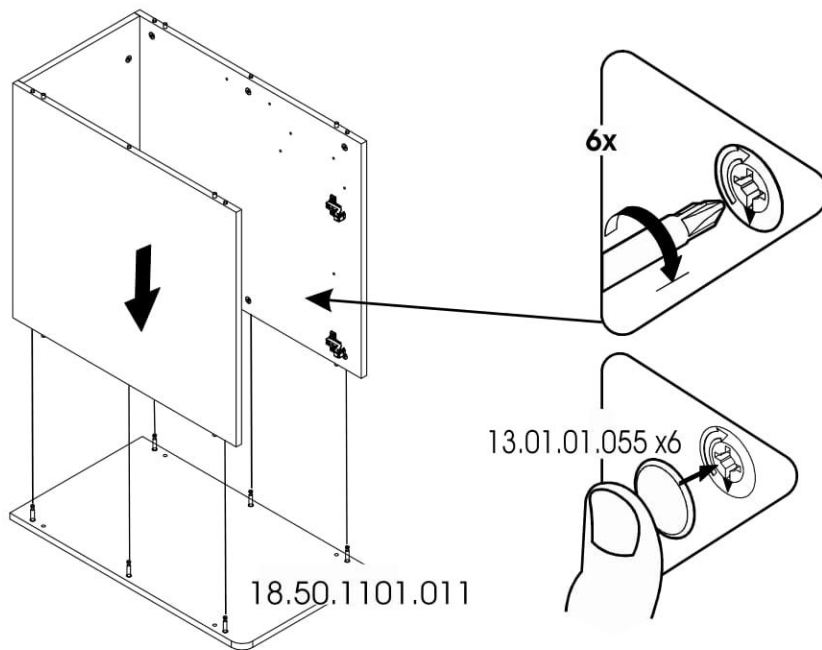
5



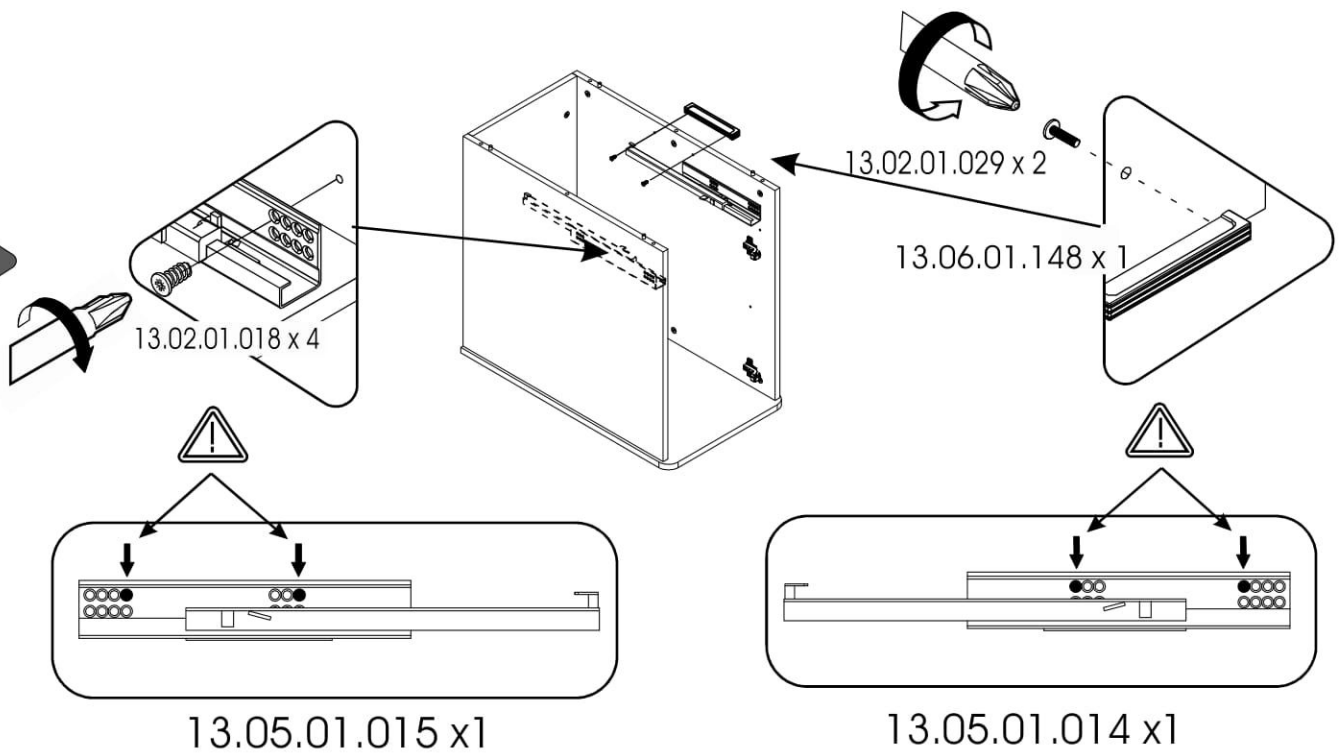
6



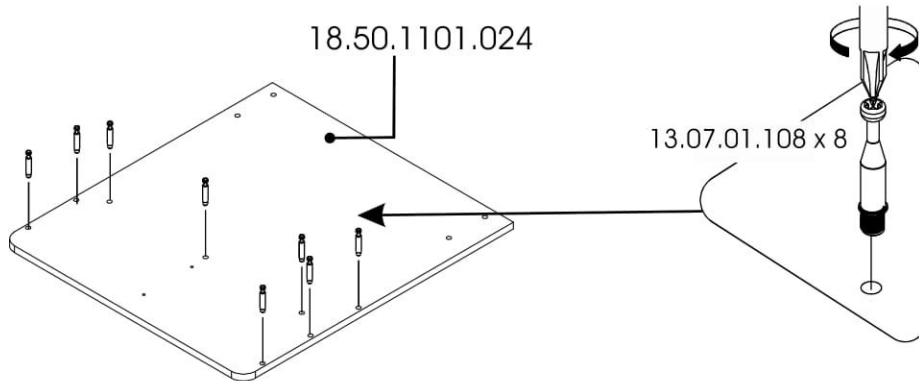
7



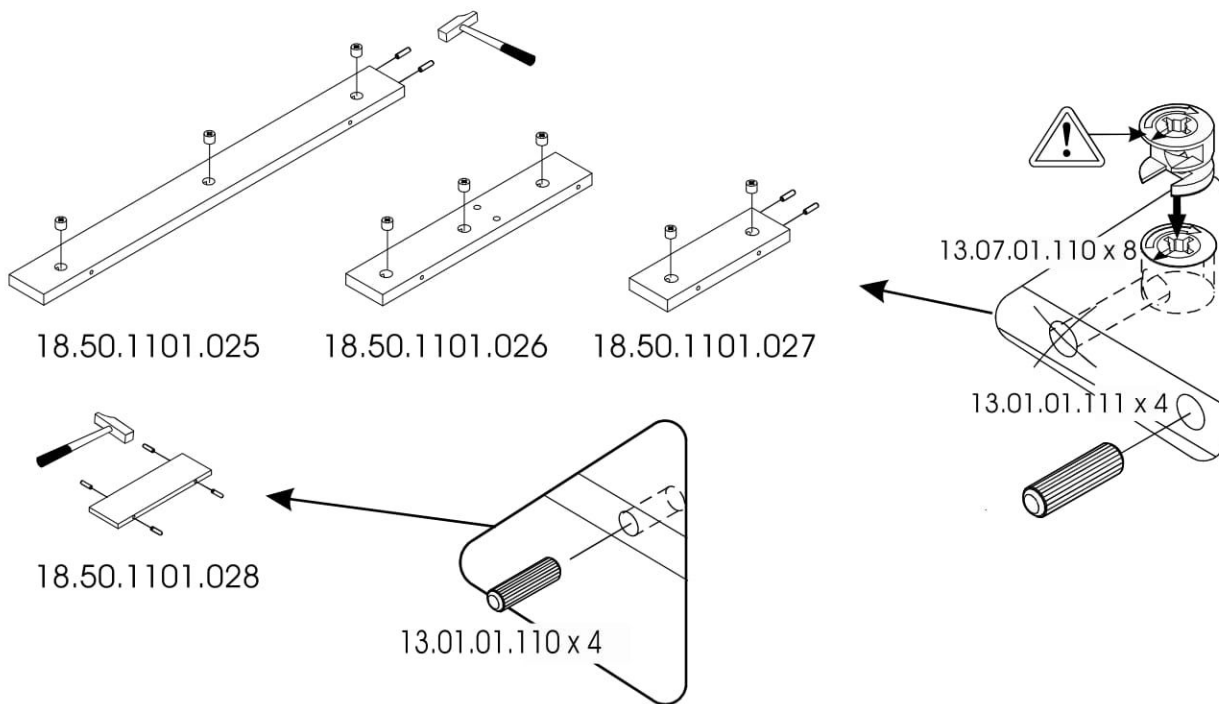
8



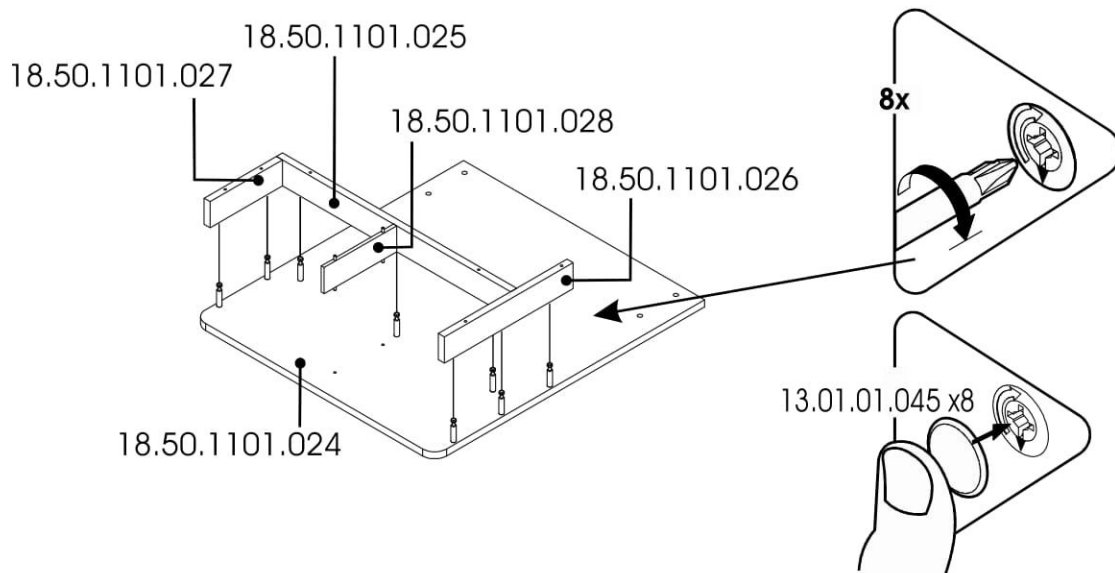
9



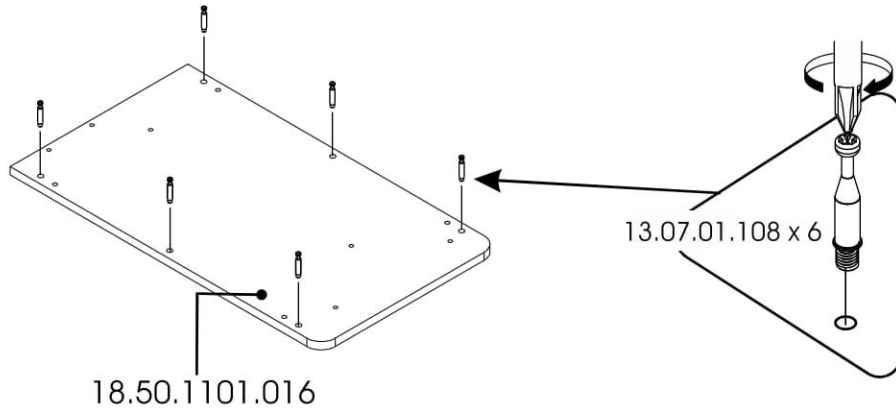
10



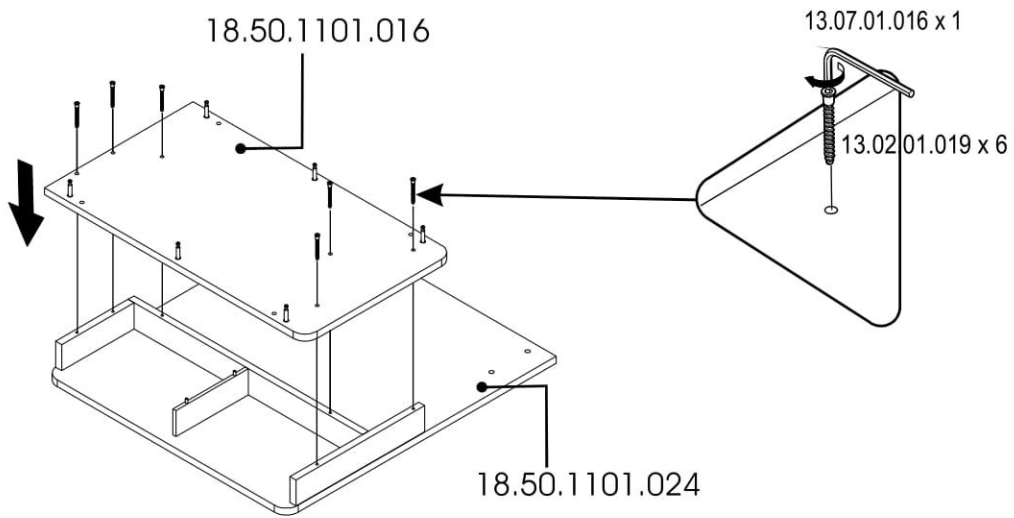
11



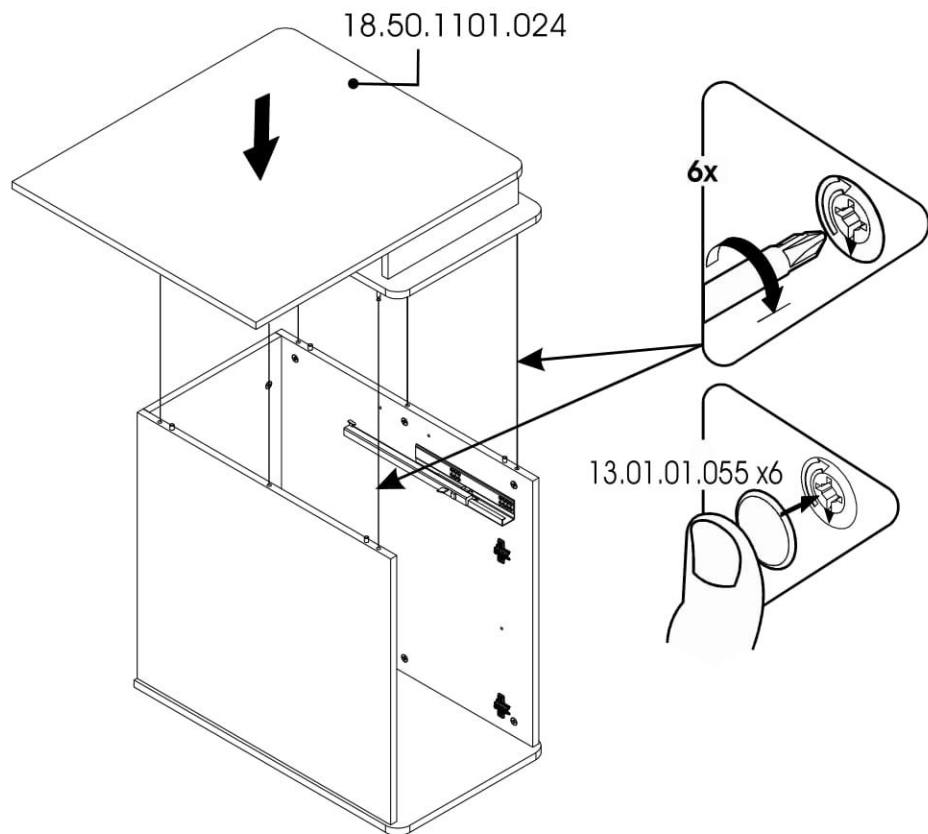
12



13

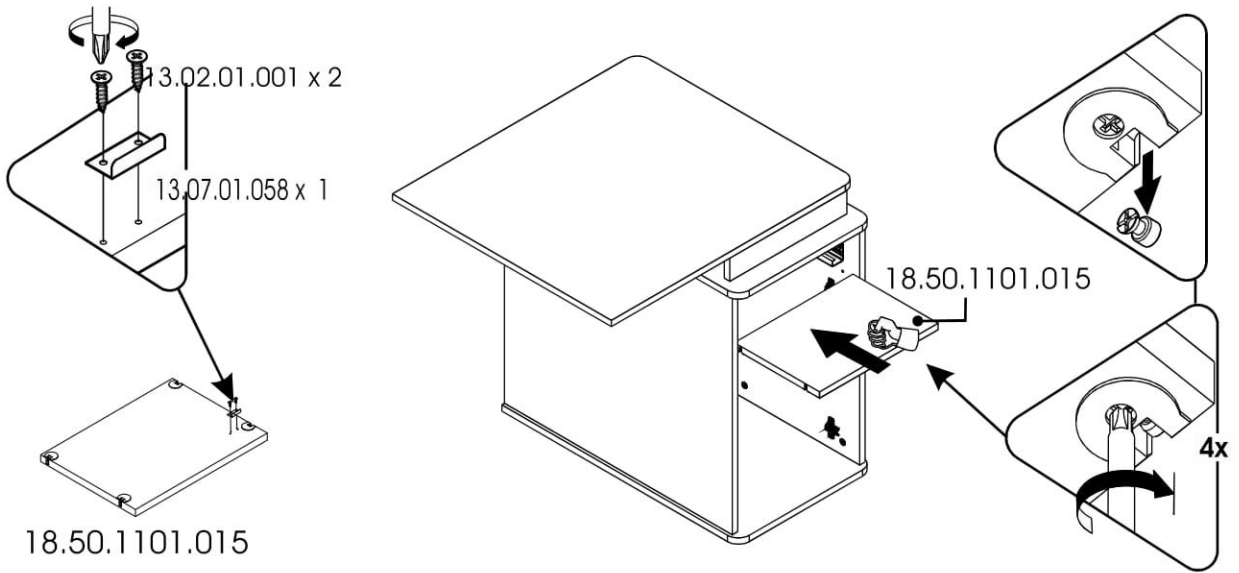


14

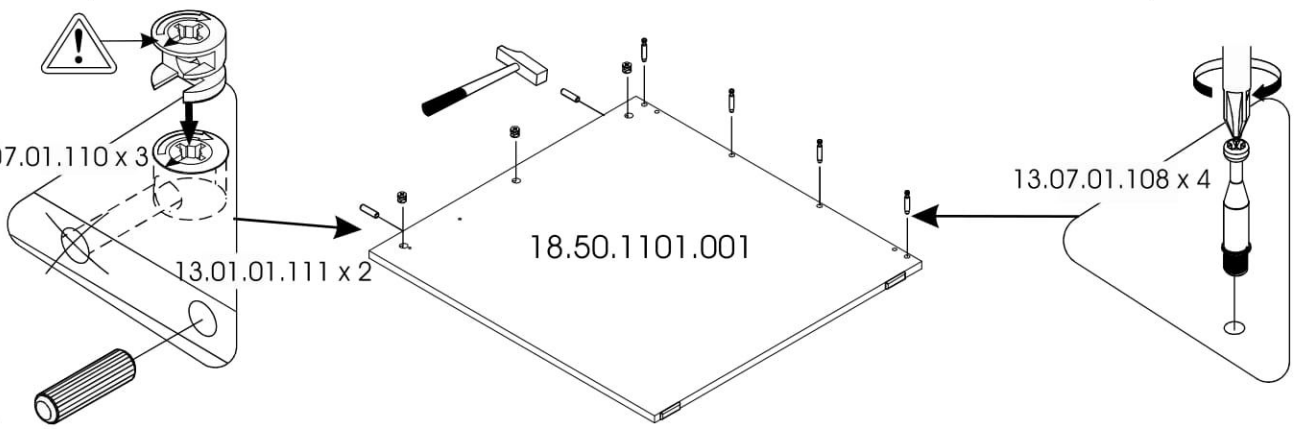




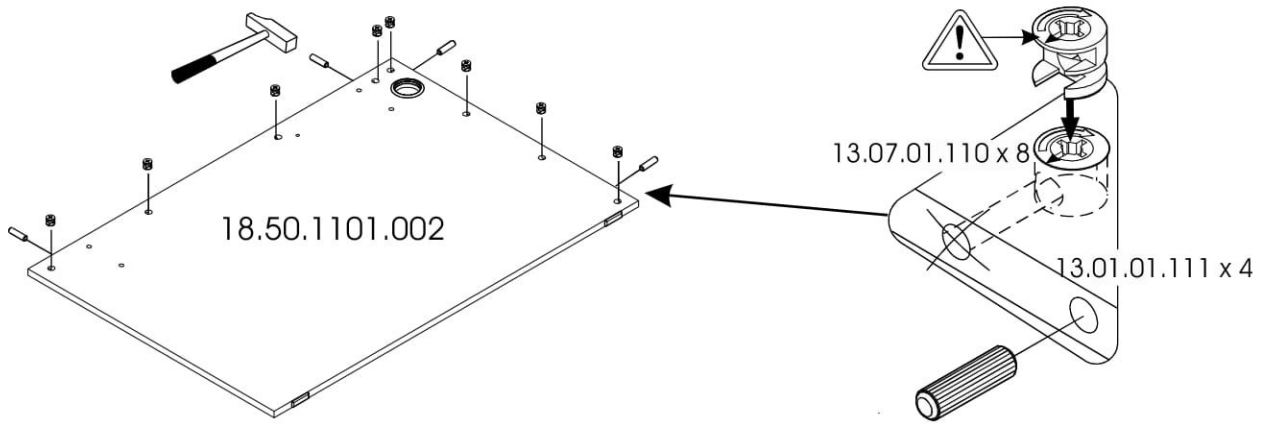
15



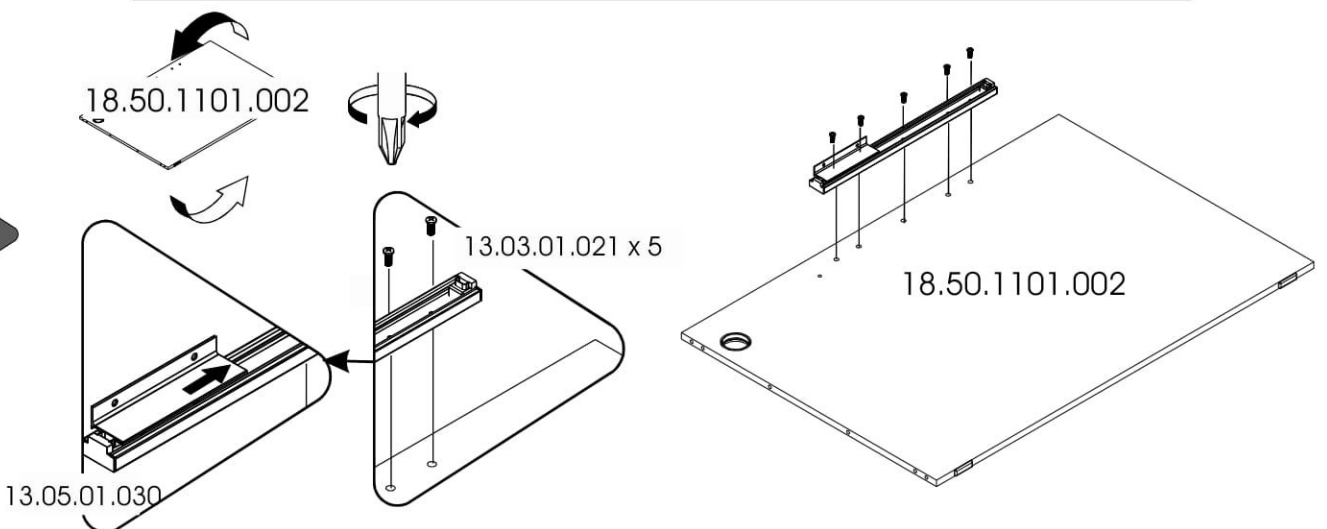
16



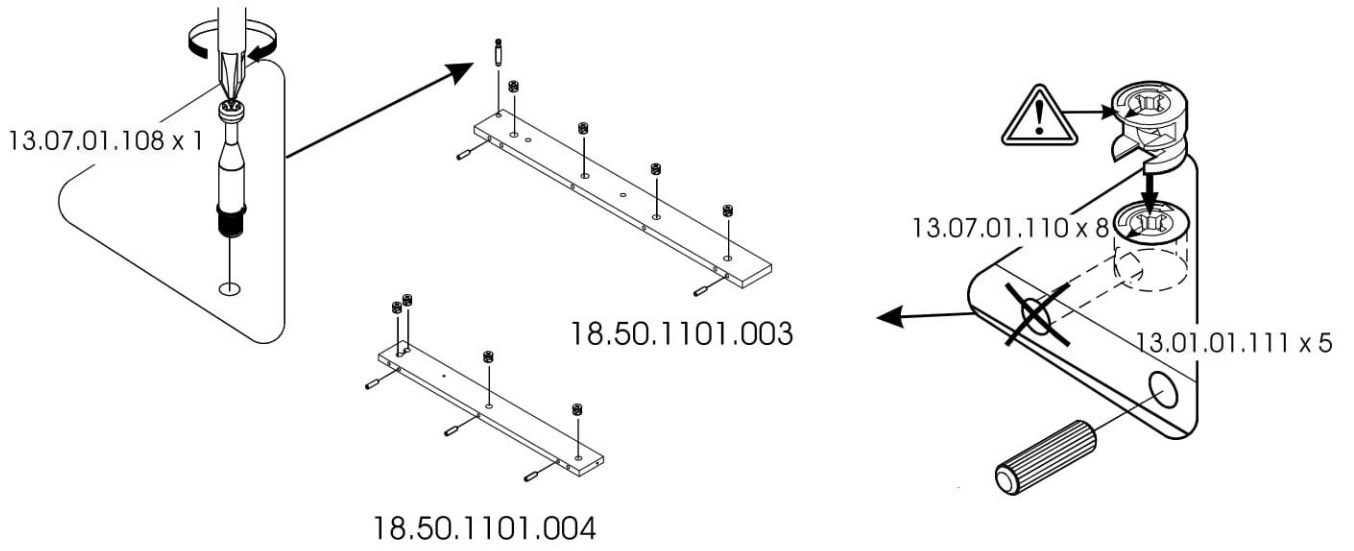
17



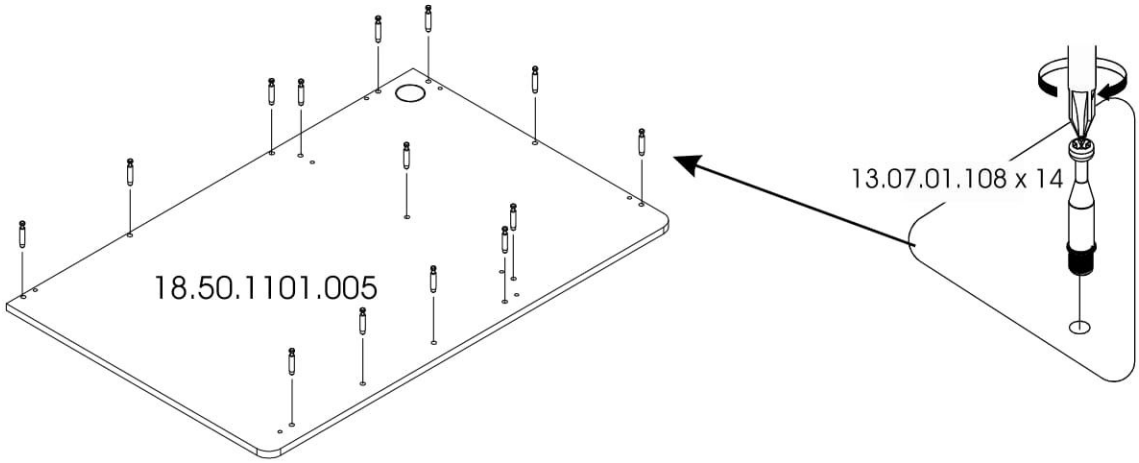
18



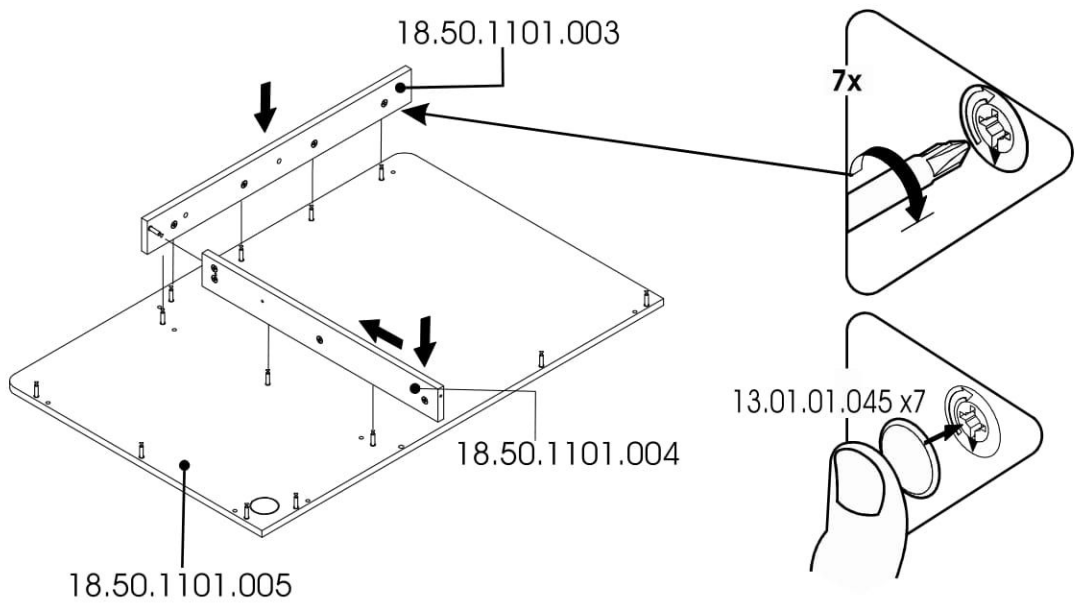
19



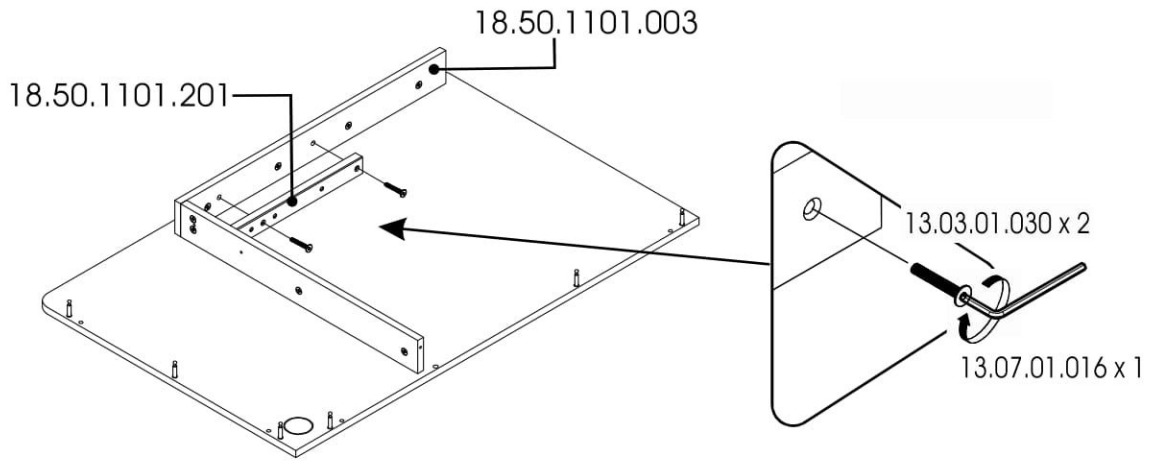
20



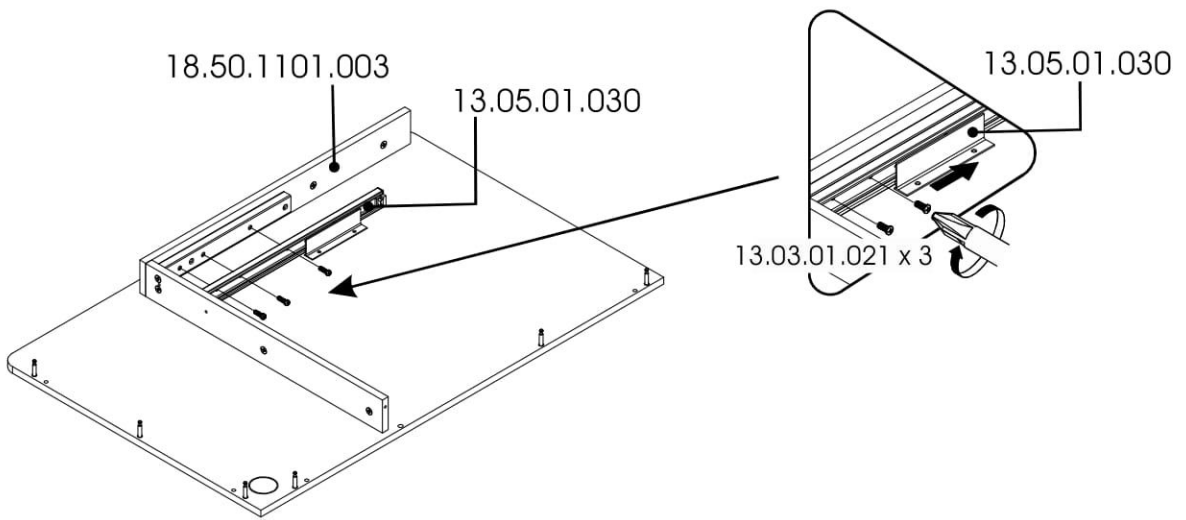
21



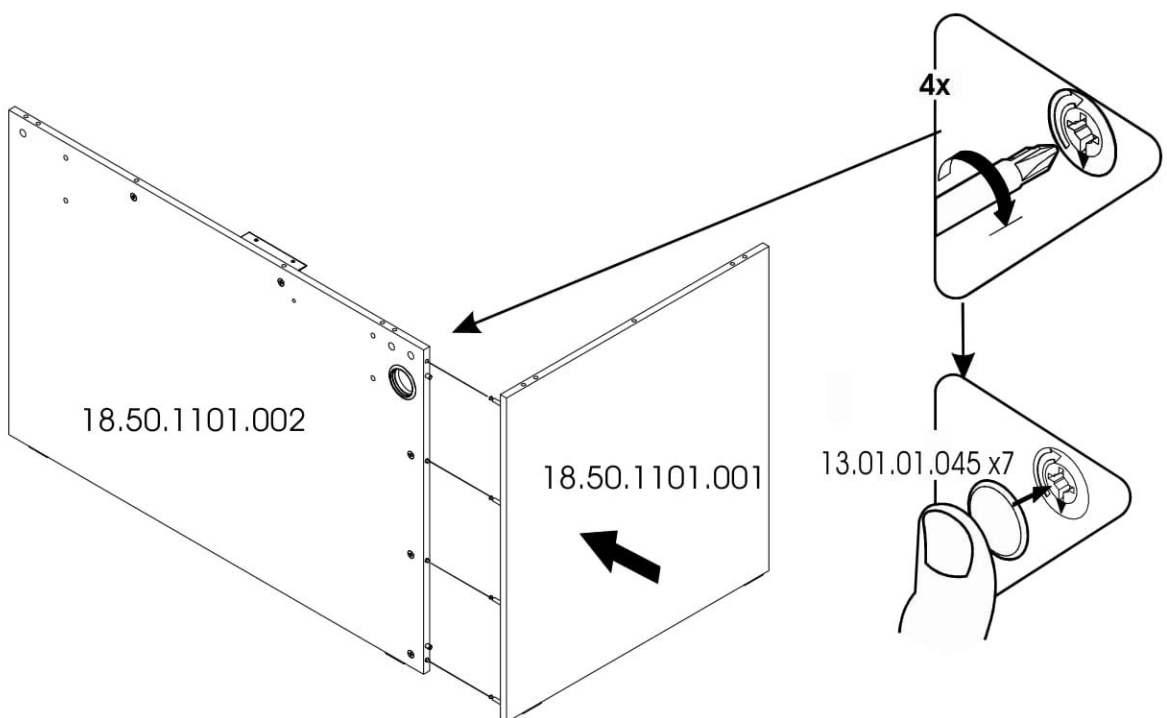
22

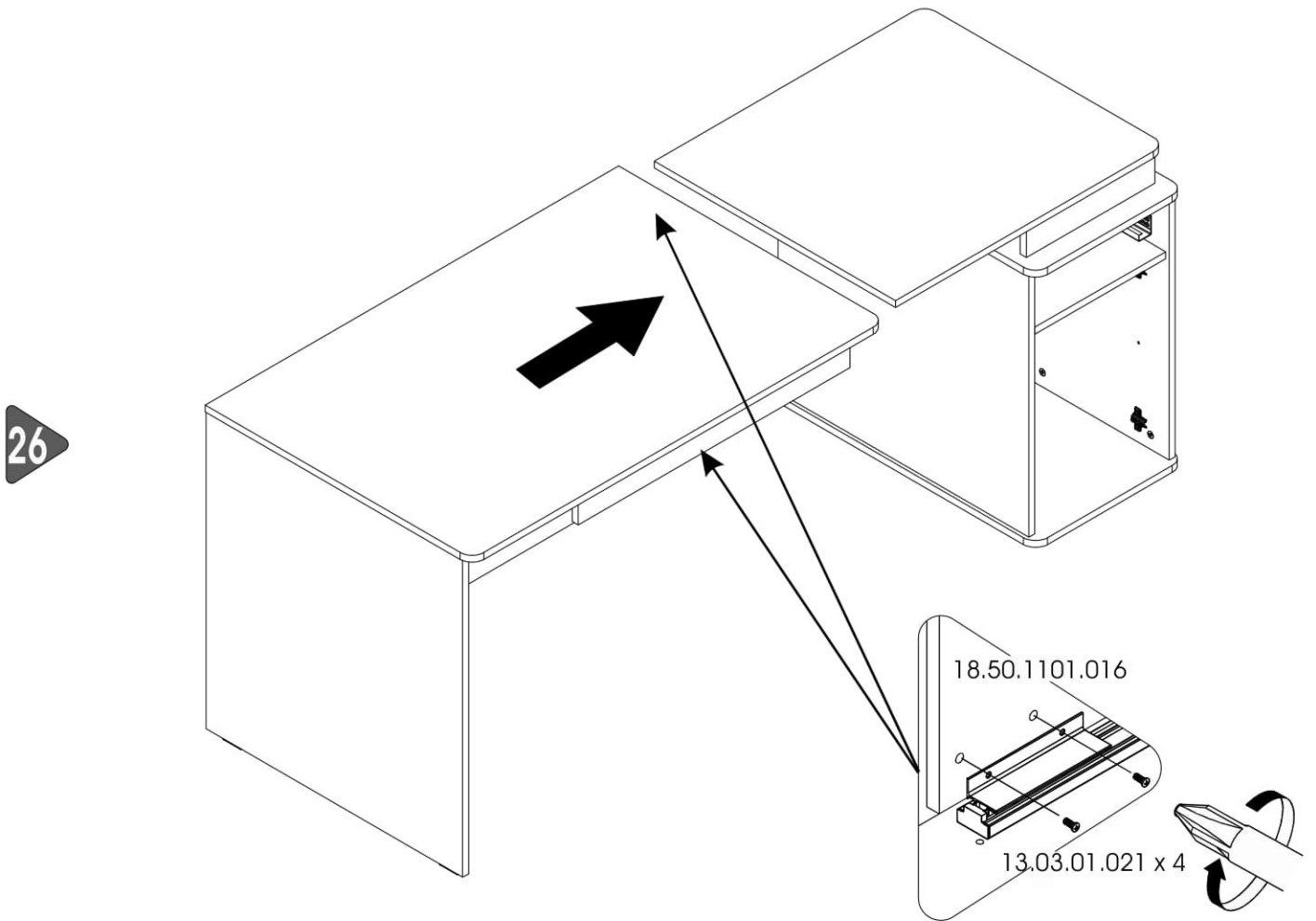
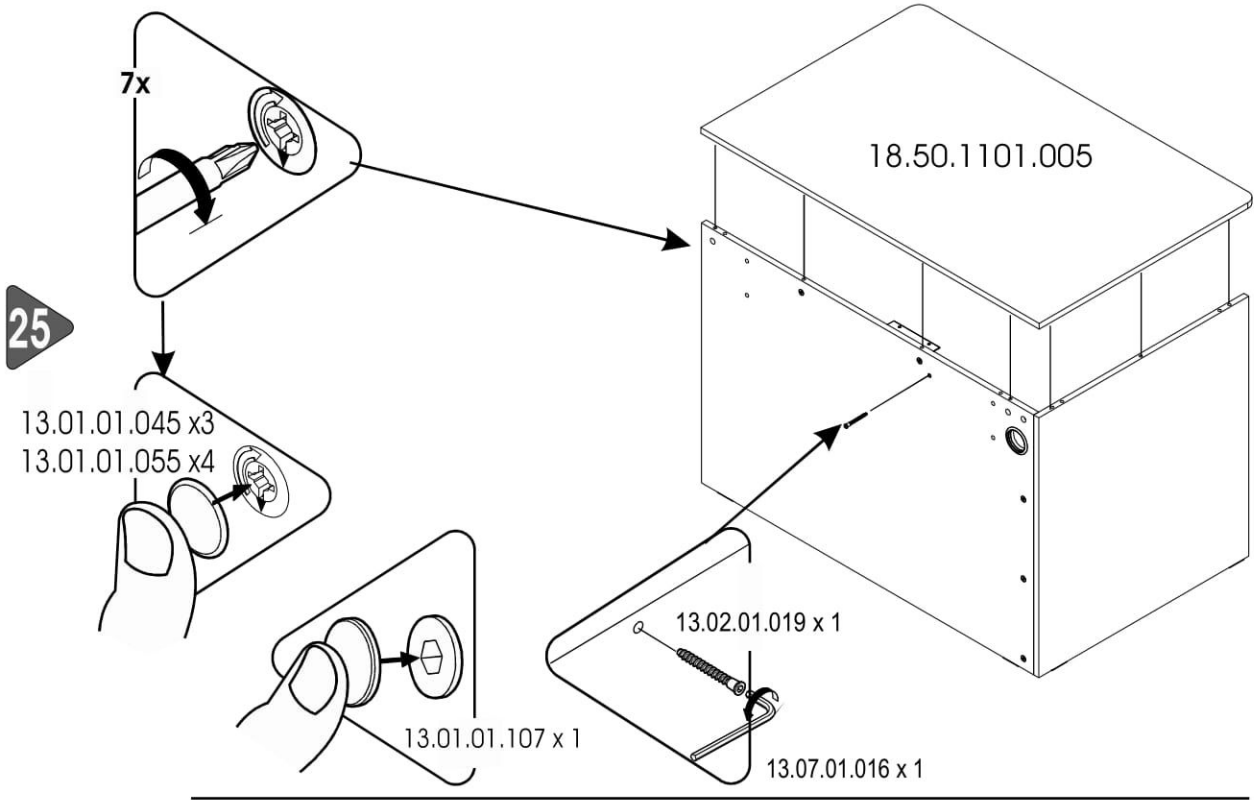


23

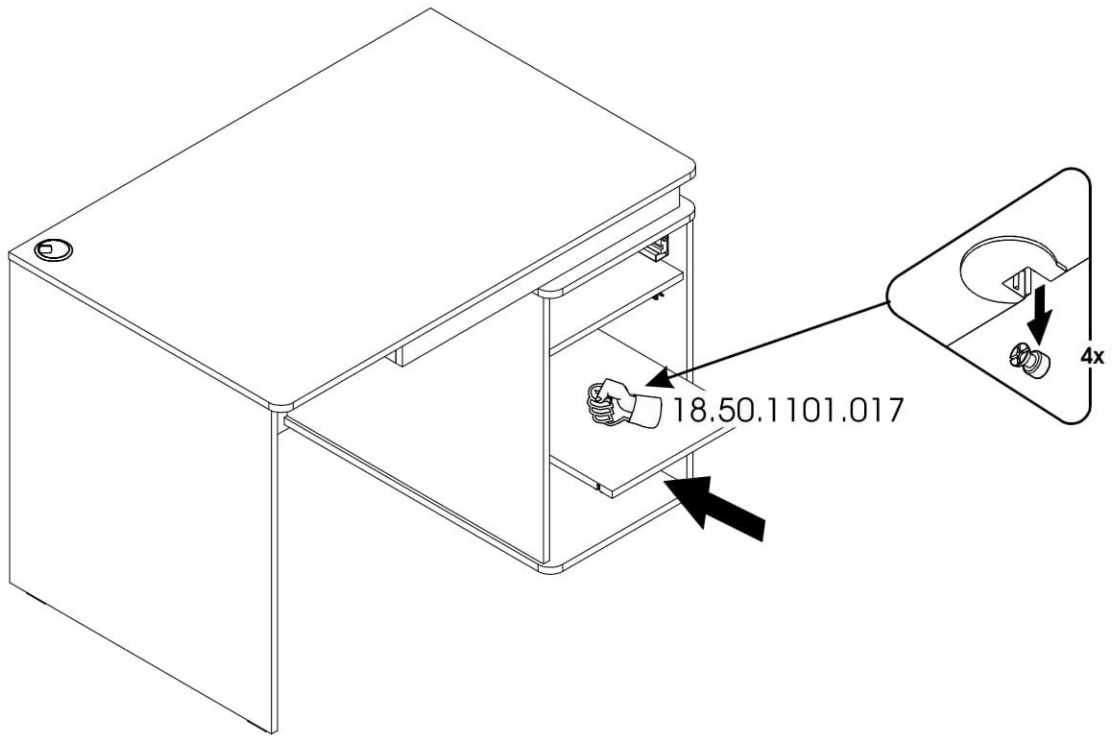


24

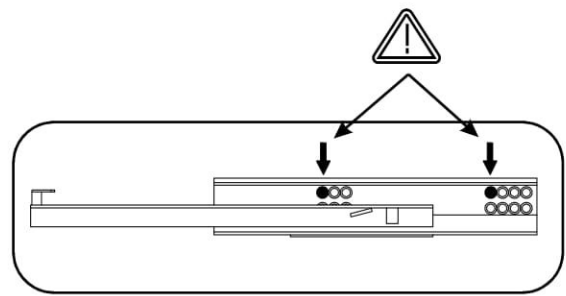
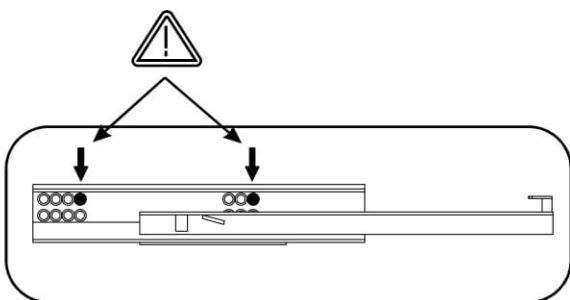
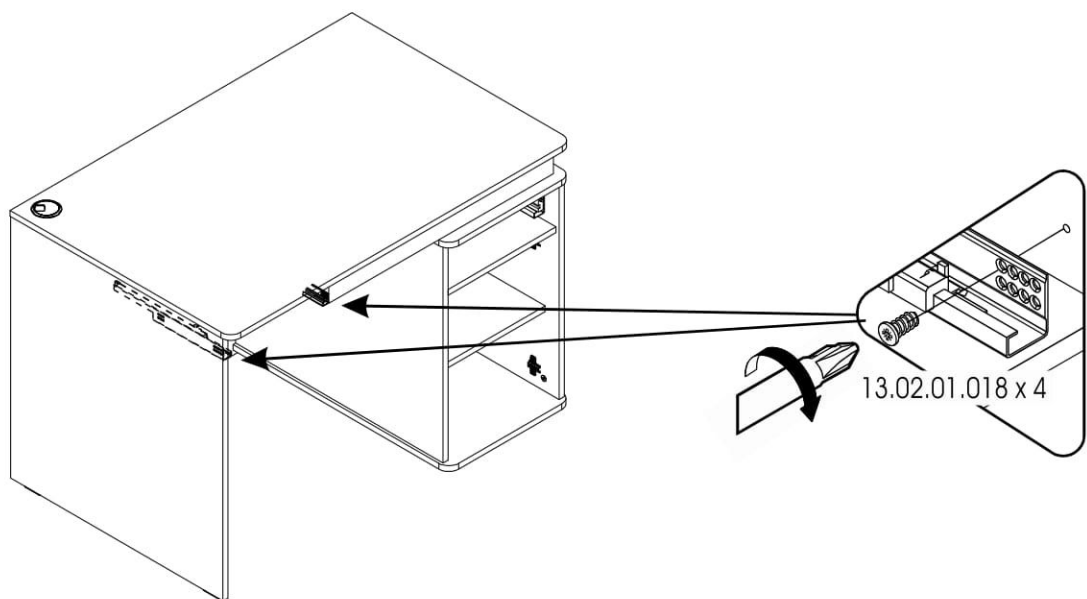




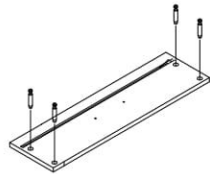
27



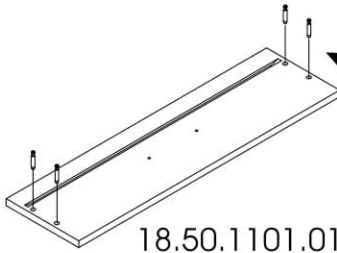
28



29

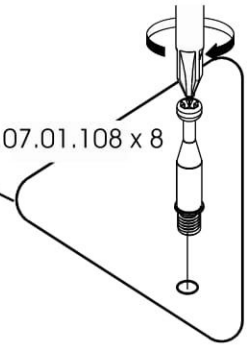


18.50.1101.006

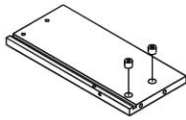


18.50.1101.019

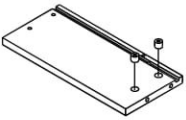
13.07.01.108 x 8



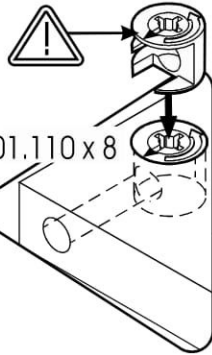
30



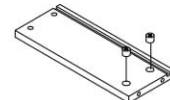
18.50.1101.021



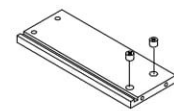
18.50.1101.020



13.07.01.110 x 8



18.50.1101.007



18.50.1101.008

18.50.1101.022

18.50.1101.021

18.50.1101.029

18.50.1101.020

18.50.1101.019

18.50.1101.029

13.01.01.110 x 4

31

18.50.1101.009

18.50.1101.008

18.50.1101.007

18.50.1101.006

8 x

13.01.01.055 x 8

18.50.1101.023

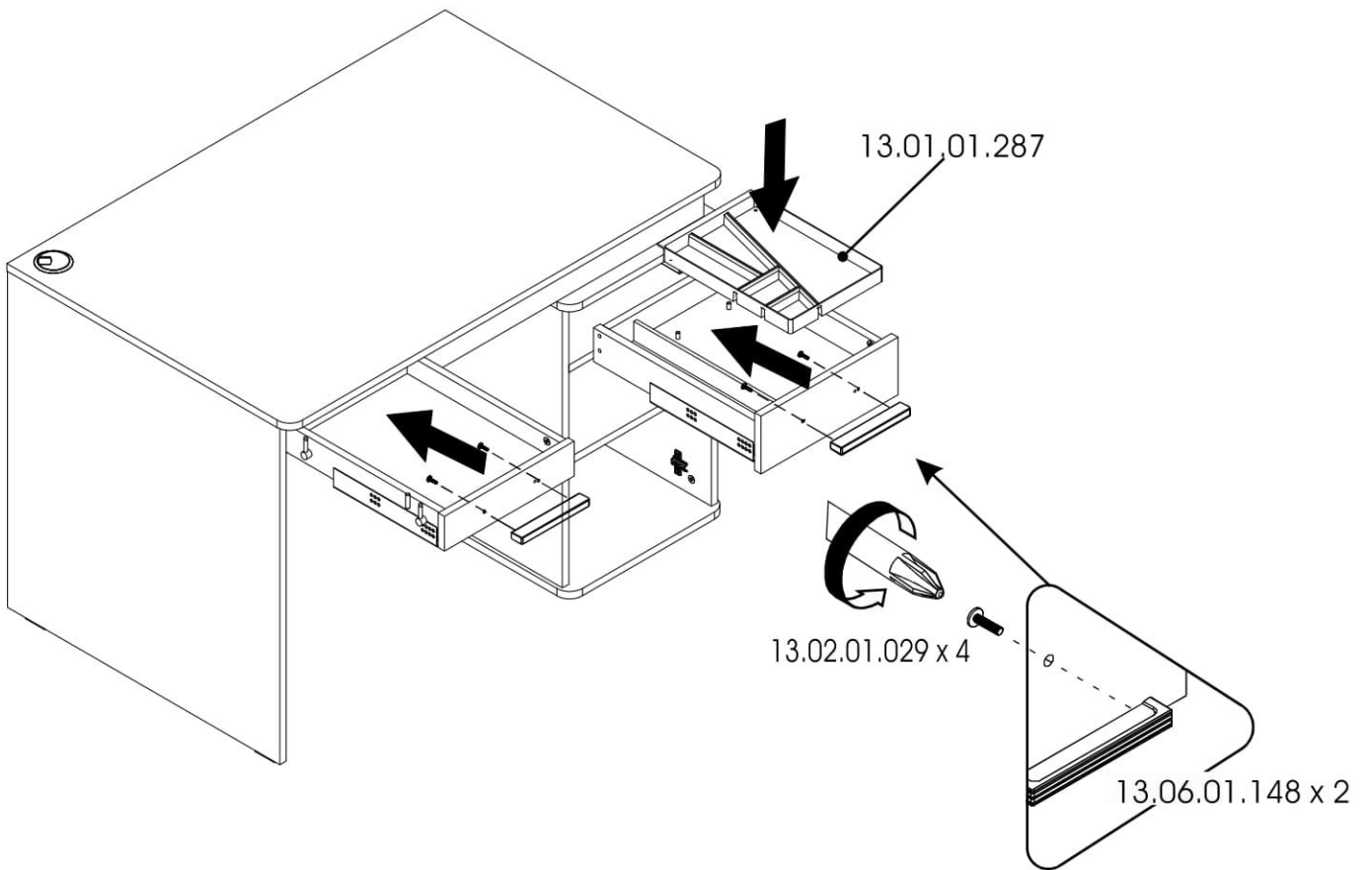
32

18.50.1101.010

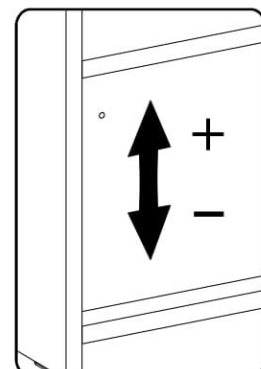
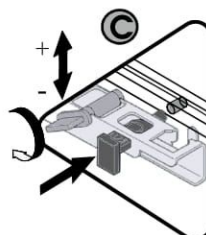
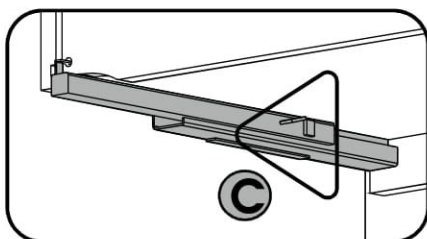
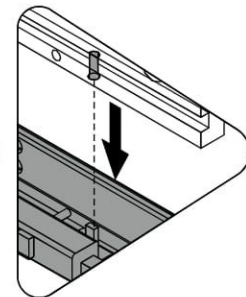
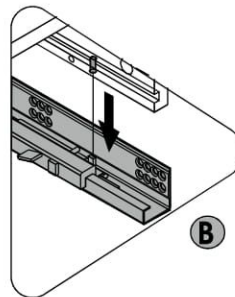
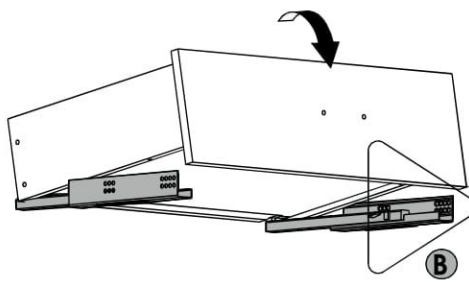
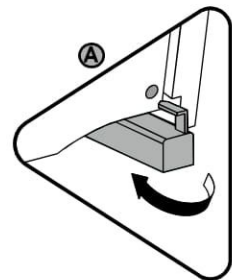
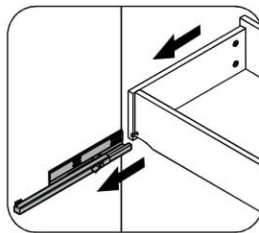
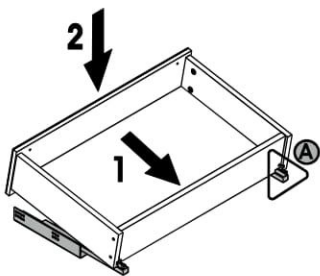
13.02.01.019 x 8

13.07.01.016 x 1

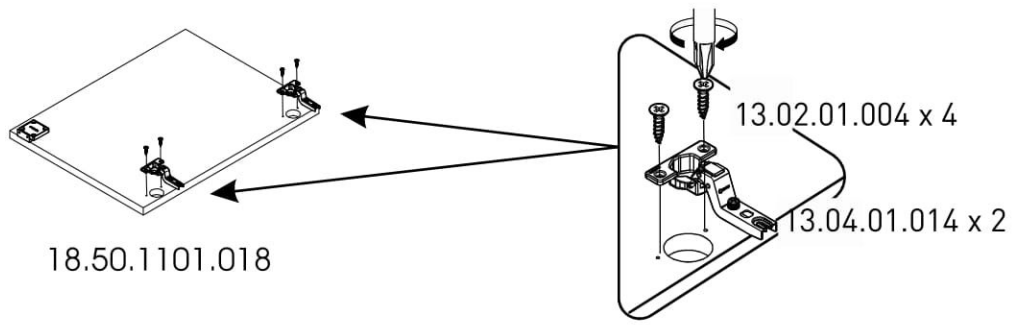
13.01.01.119 x 2



33



34



35

