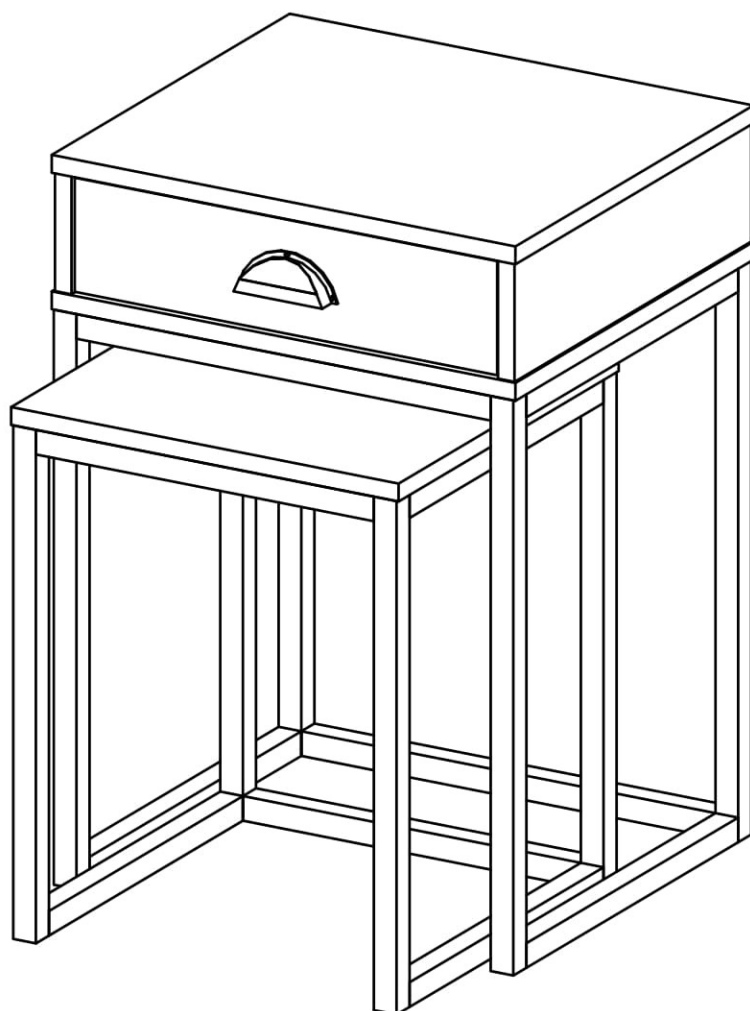
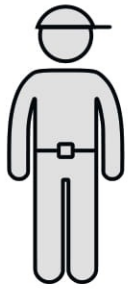
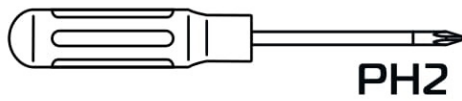
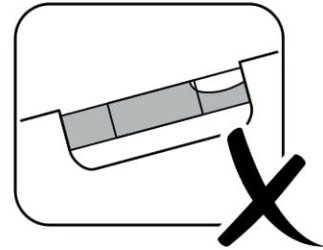
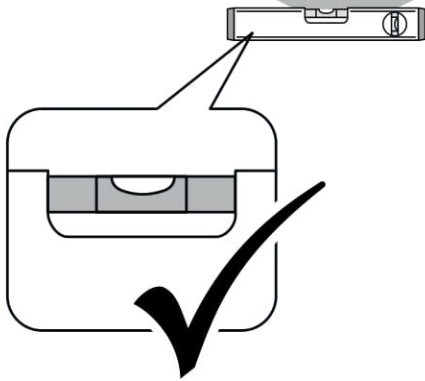
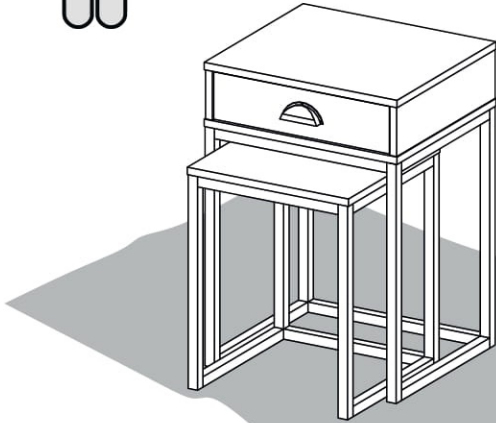
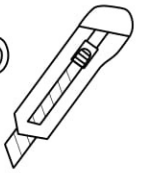


**Stolek s taburetem**  
**TREVOR**

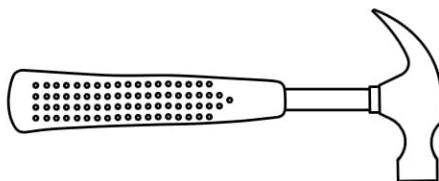
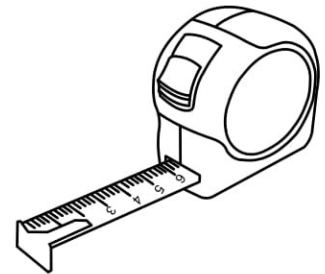
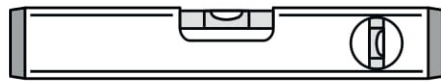


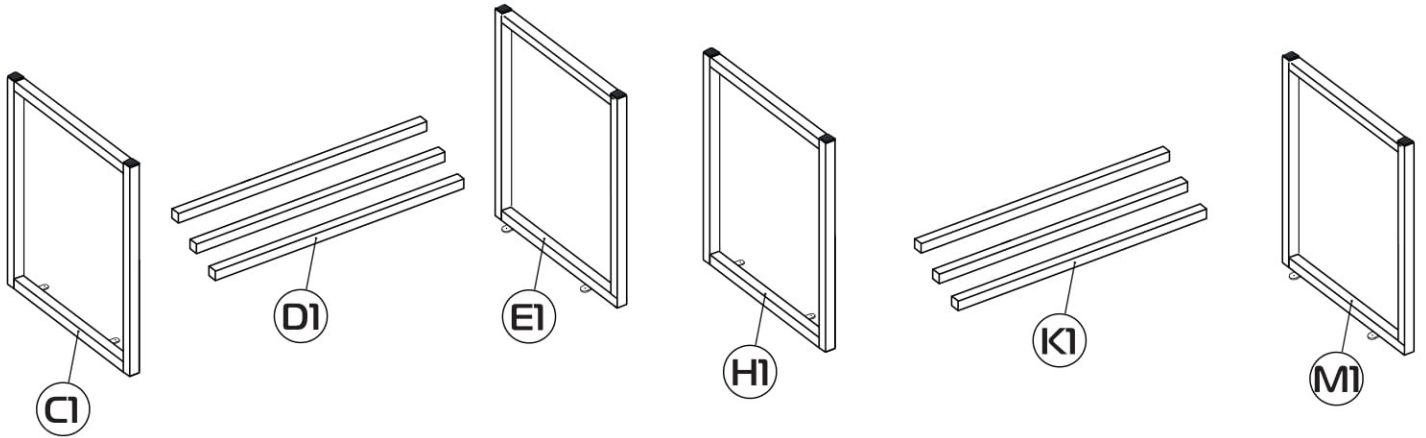
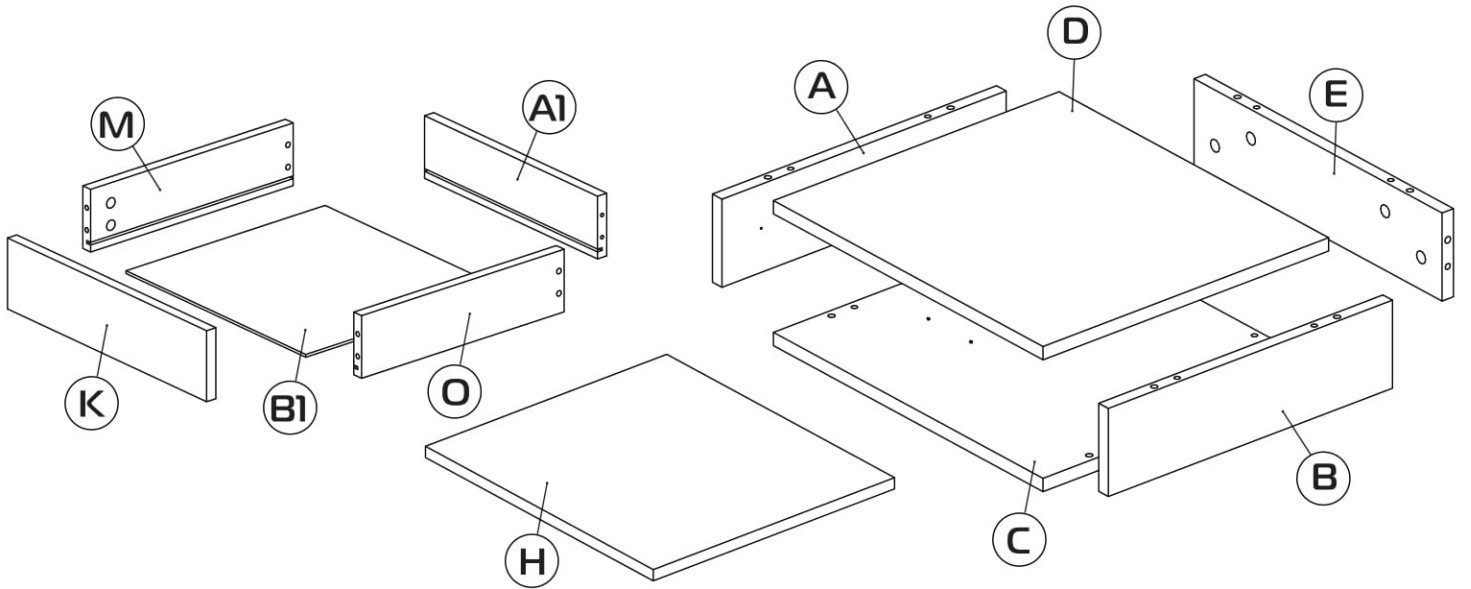


60 min



PH2

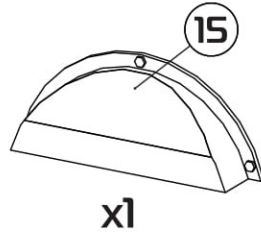
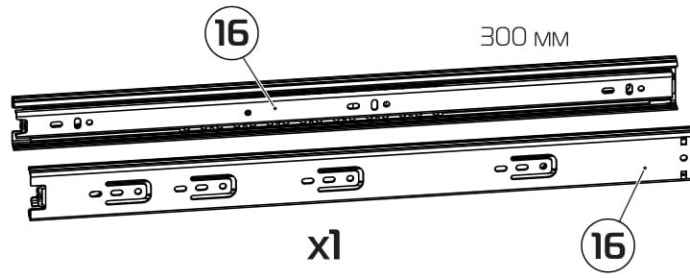




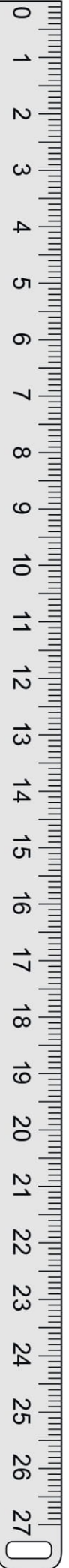
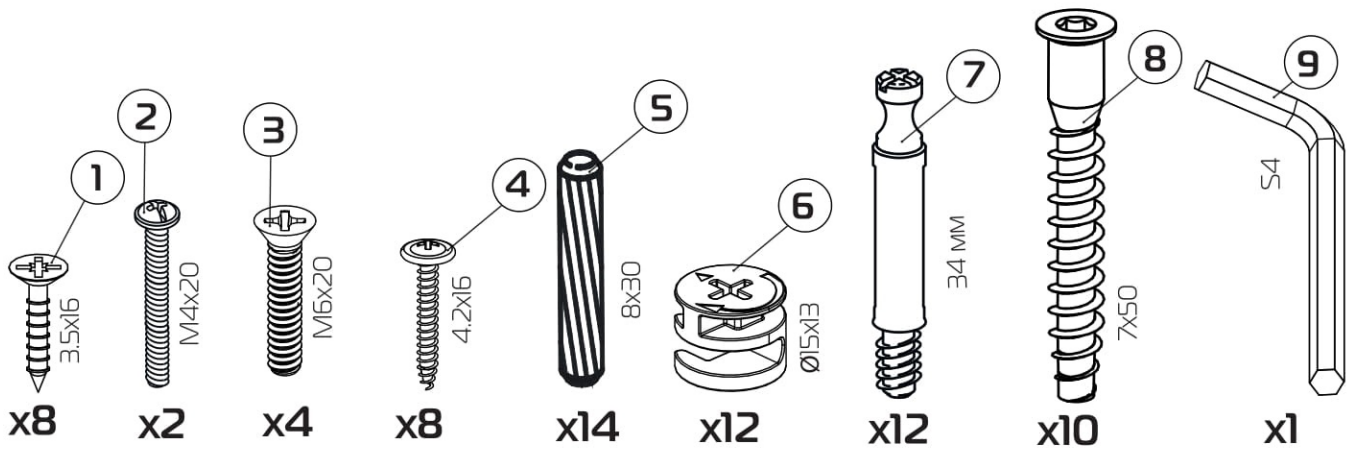
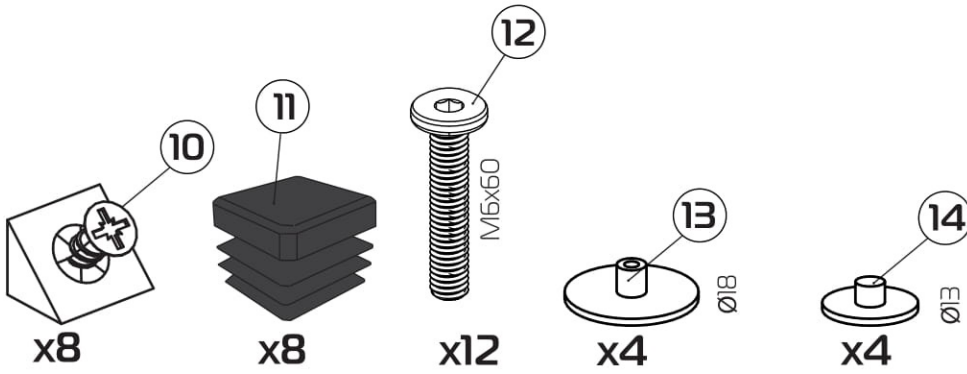
- (A) 689060.001 106x398x16 (x1)
- (B) 689060.002 106x398x16 (x1)
- (C) 689060.003 450x400x16 (x1)
- (D) 689060.004 450x400x16 (x1)
- (E) 689060.005 106x414x16 (x1)
- (H) 689060.006 376x370x16 (x1)
- (K) 689060.007 410x102x16 (x1)
- (M) 689060.008 350x90x16 (x1)
- (O) 689060.009 350x90x16 (x1)

- (AI) 689060.010 356x90x16 (x1)
- (BI) 689060.011 370x344x4 (x1)
- (CI) 680-01.00 541x400 (x1)
- (DI) 680-02.00 406 (x3)
- (EI) 680-03.00 541x400 (x1)
- (HI) 680a-01.00 459x370 (x1)
- (KI) 680a-02.00 332 (x3)
- (MI) 680a-03.00 459x370 (x1)

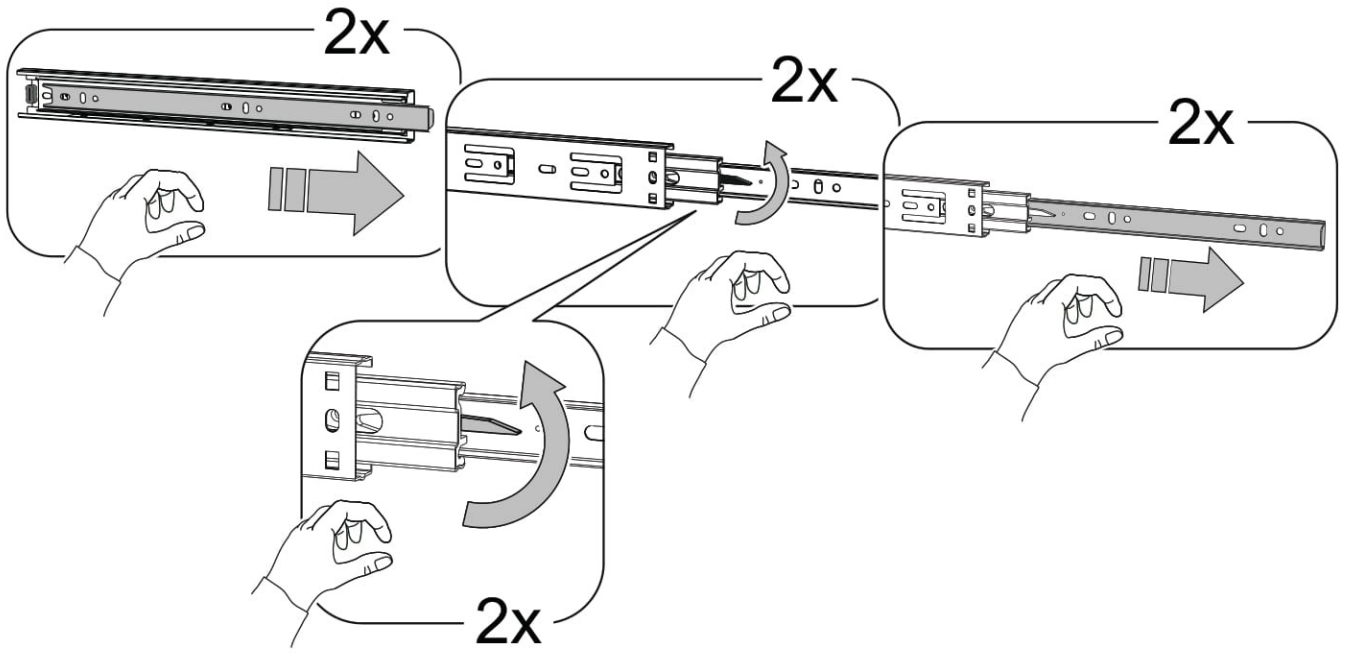
1:4



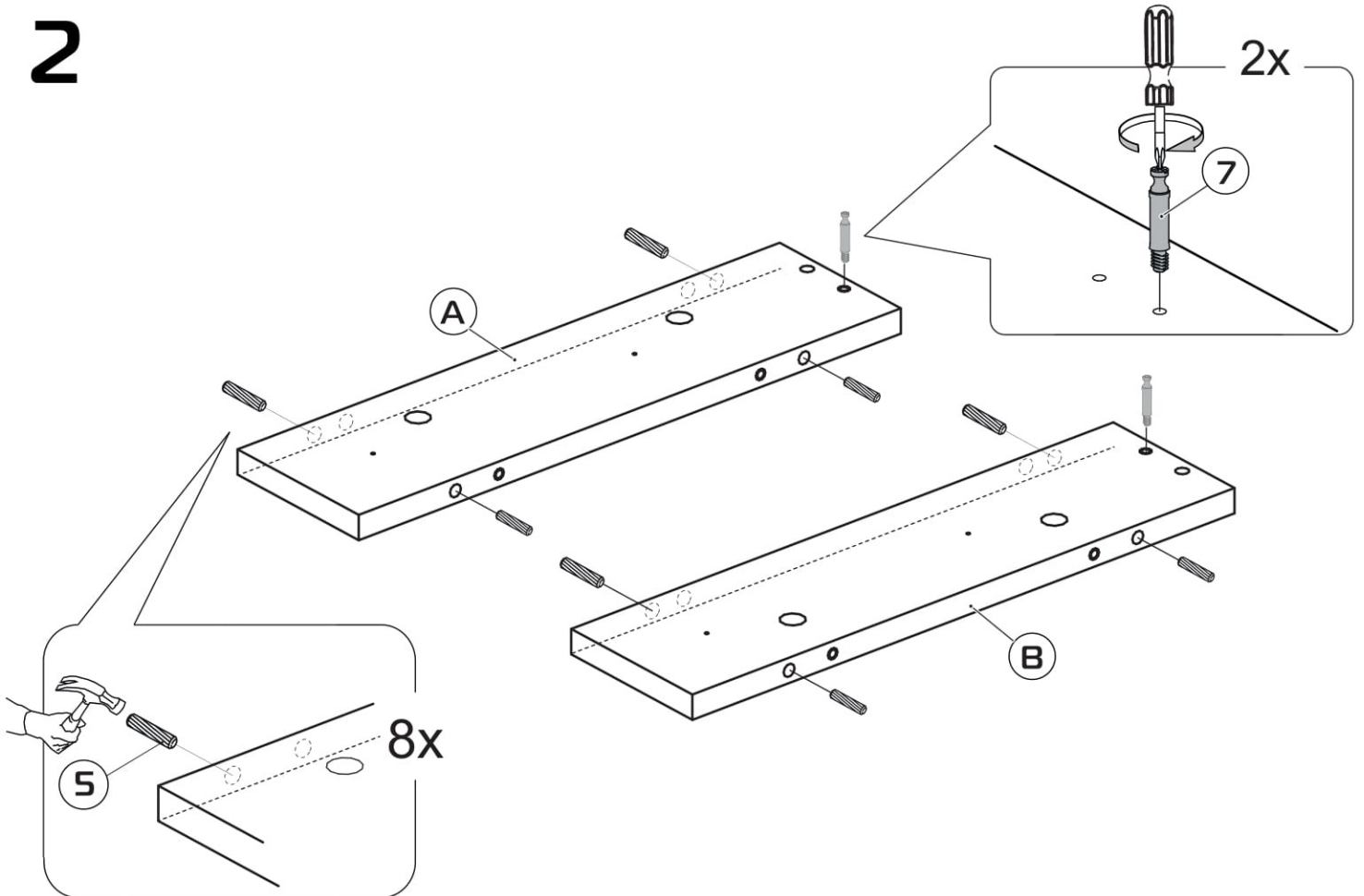
1:1



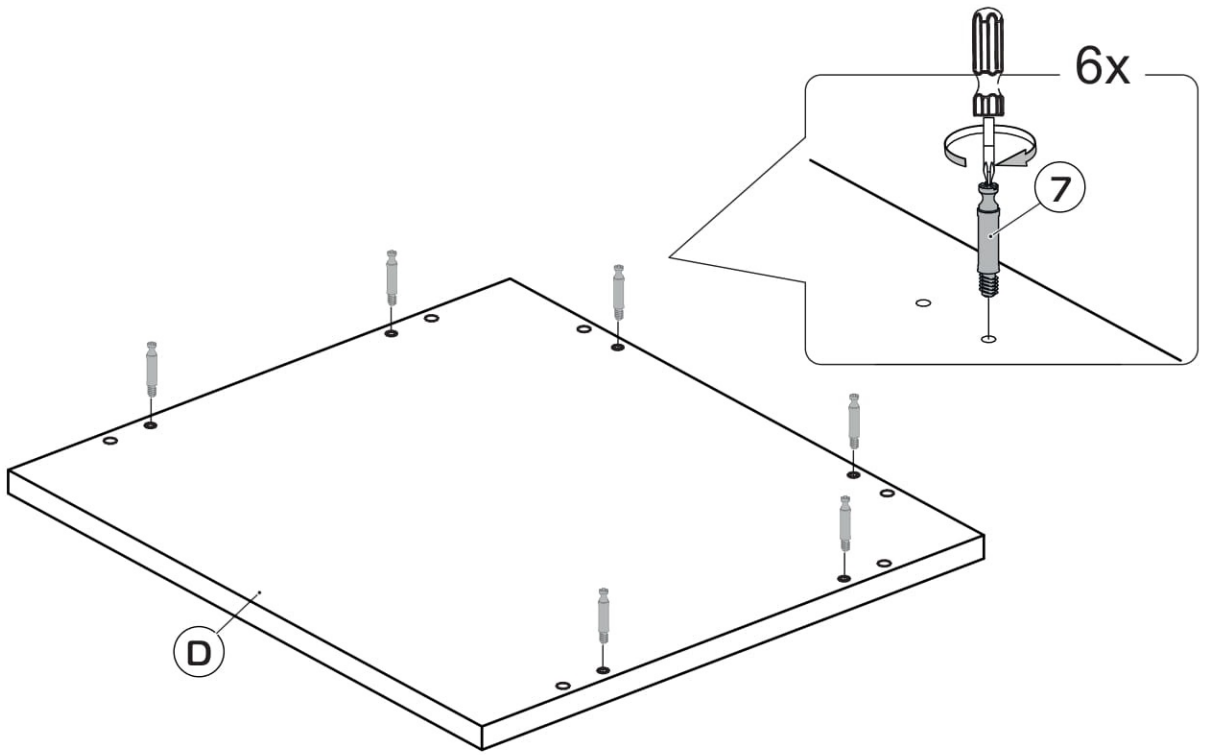
1



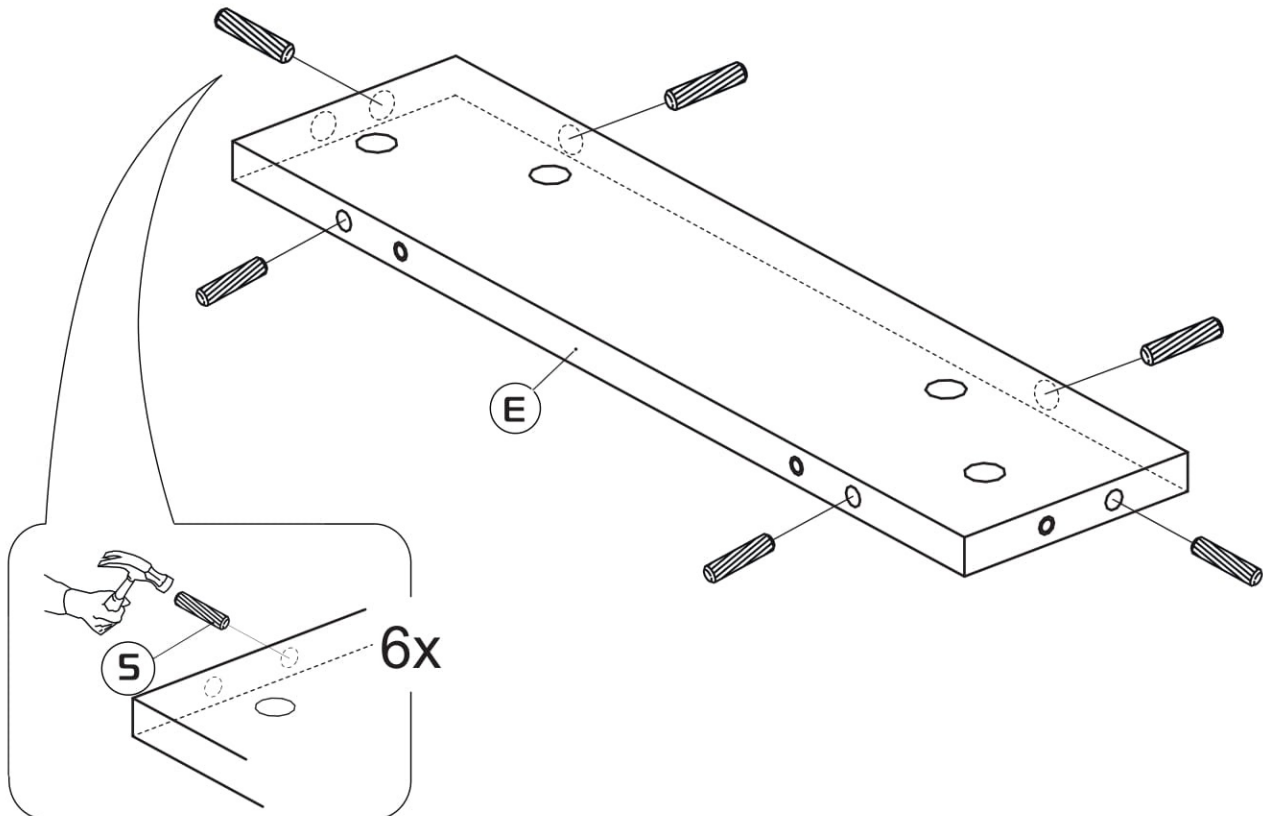
2



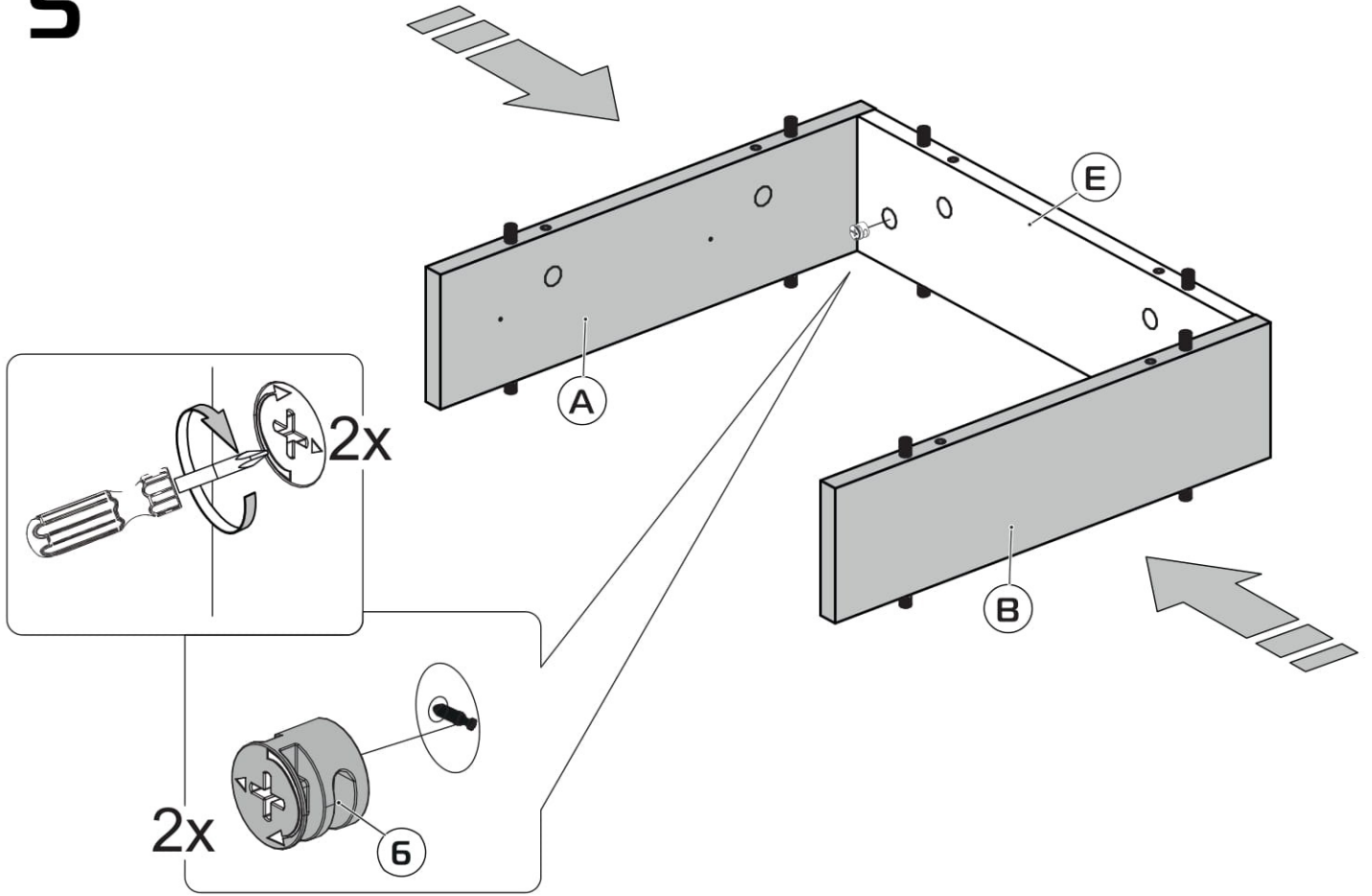
3



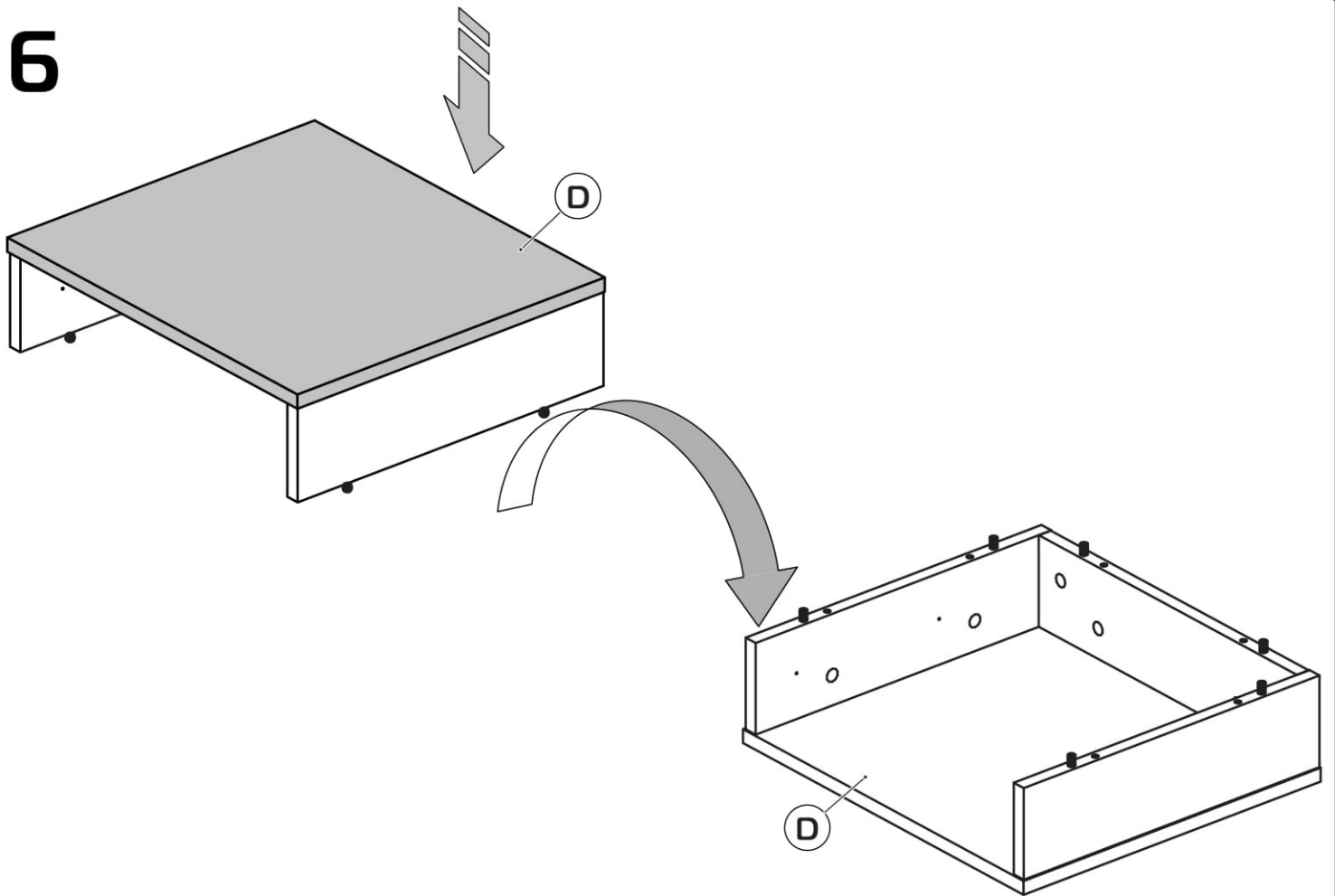
4



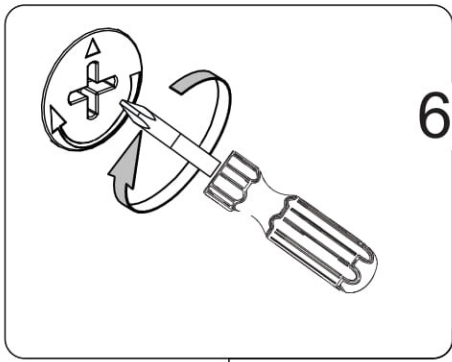
# 5



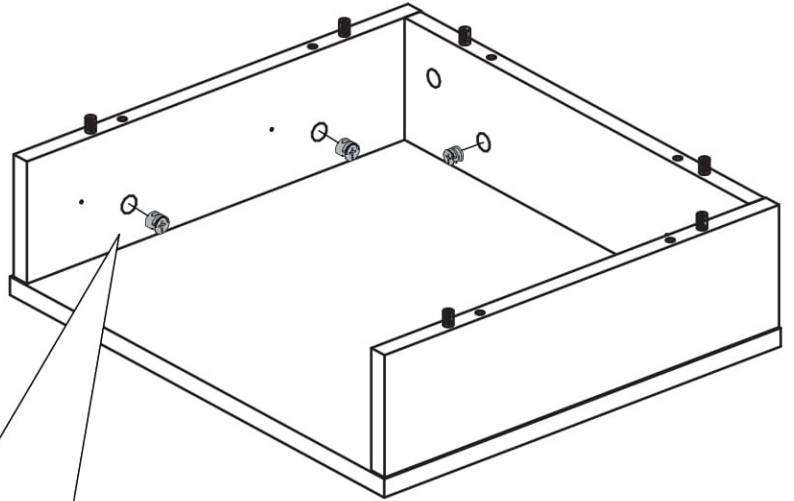
# 6



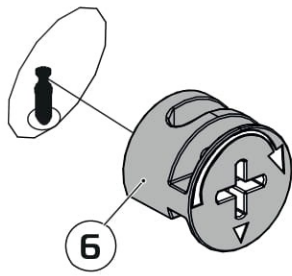
# 7



6x

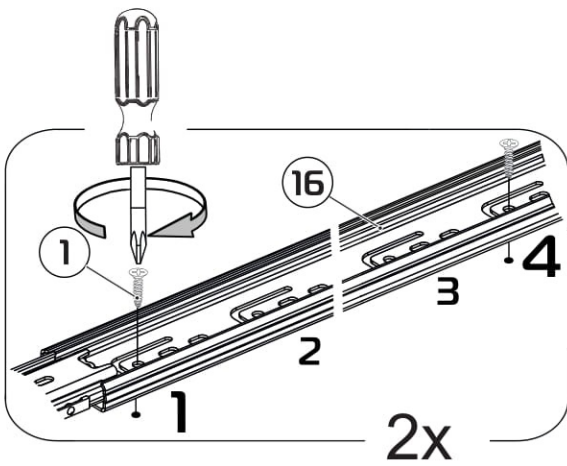


6x

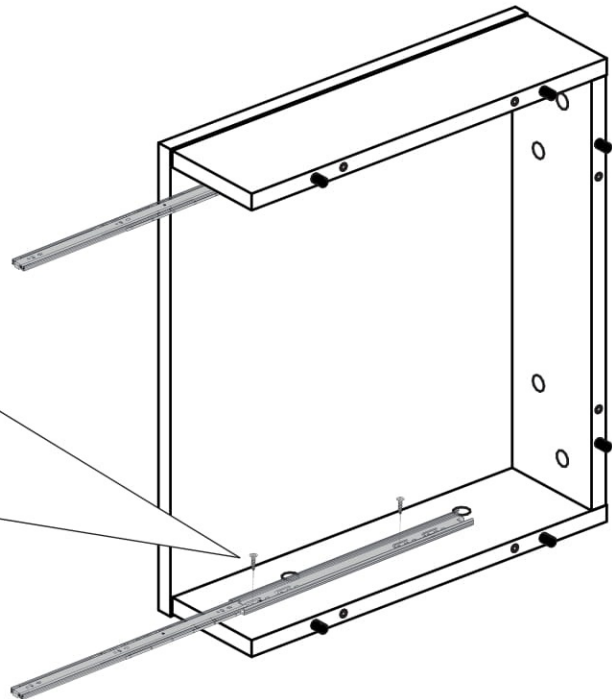


6

# 8

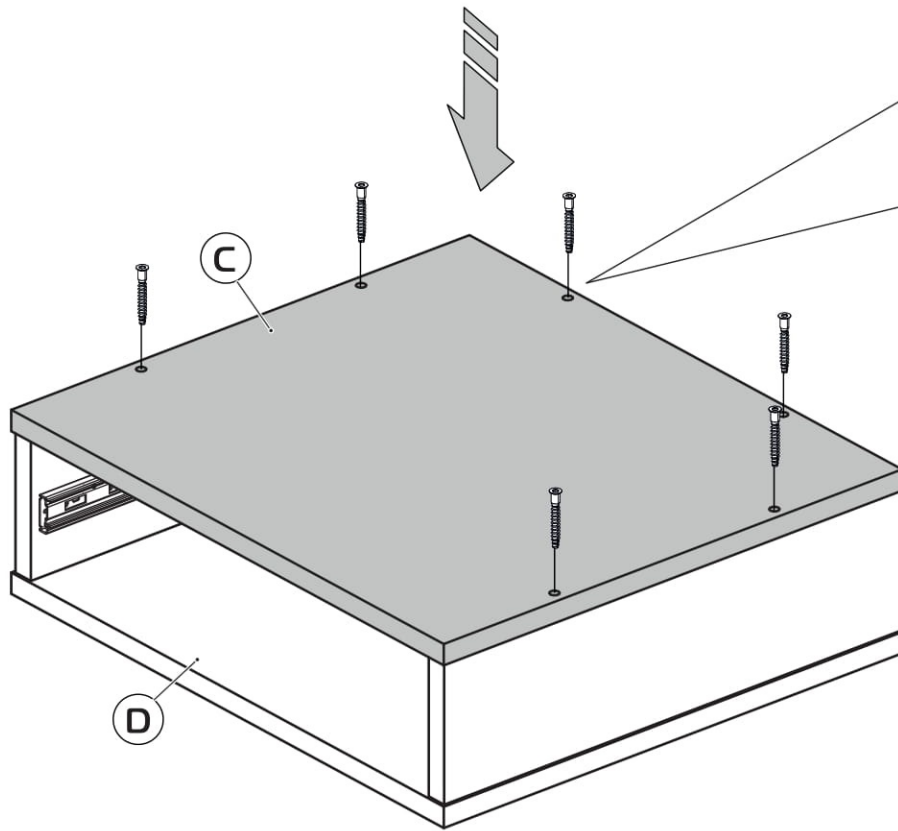


2x

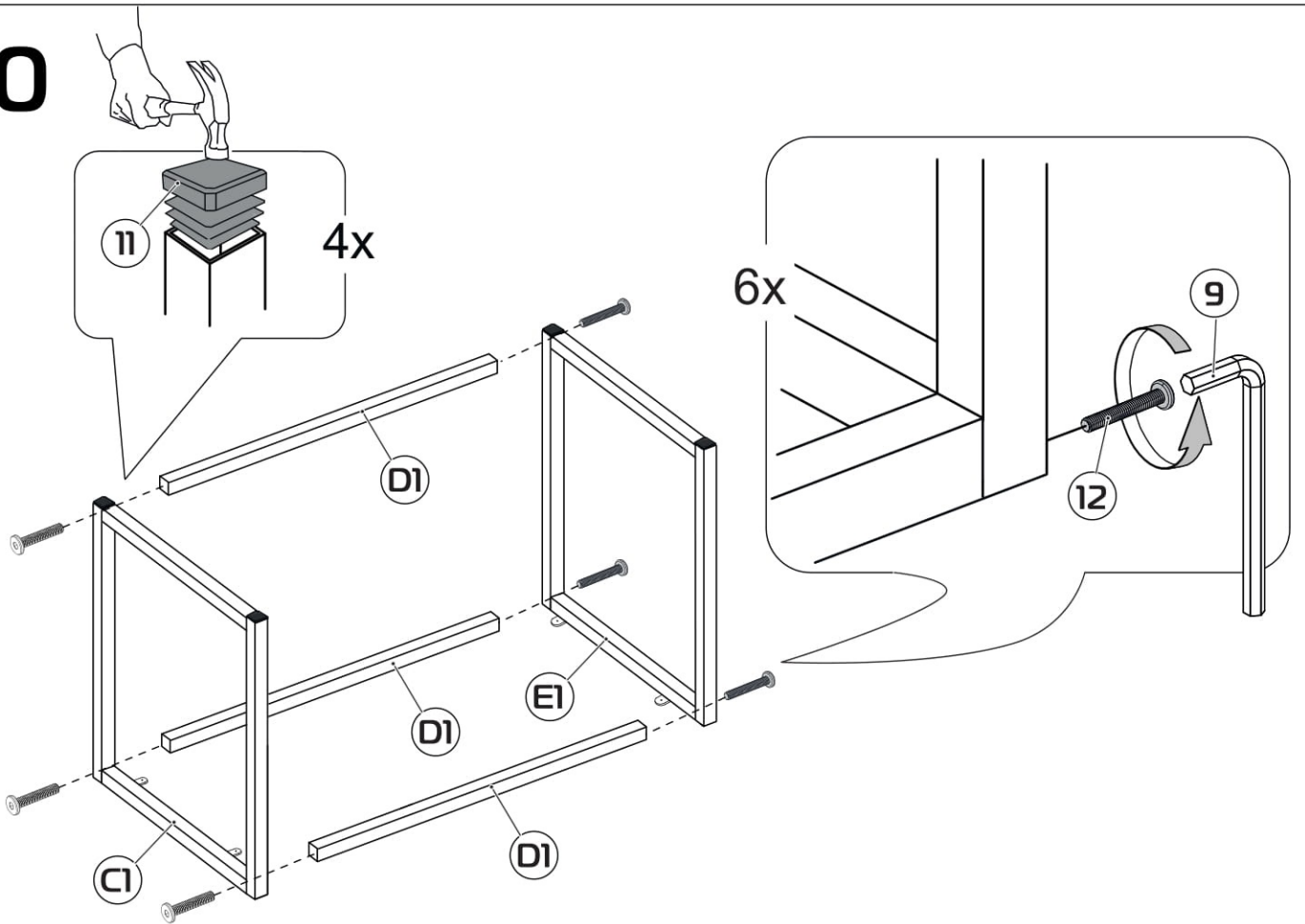




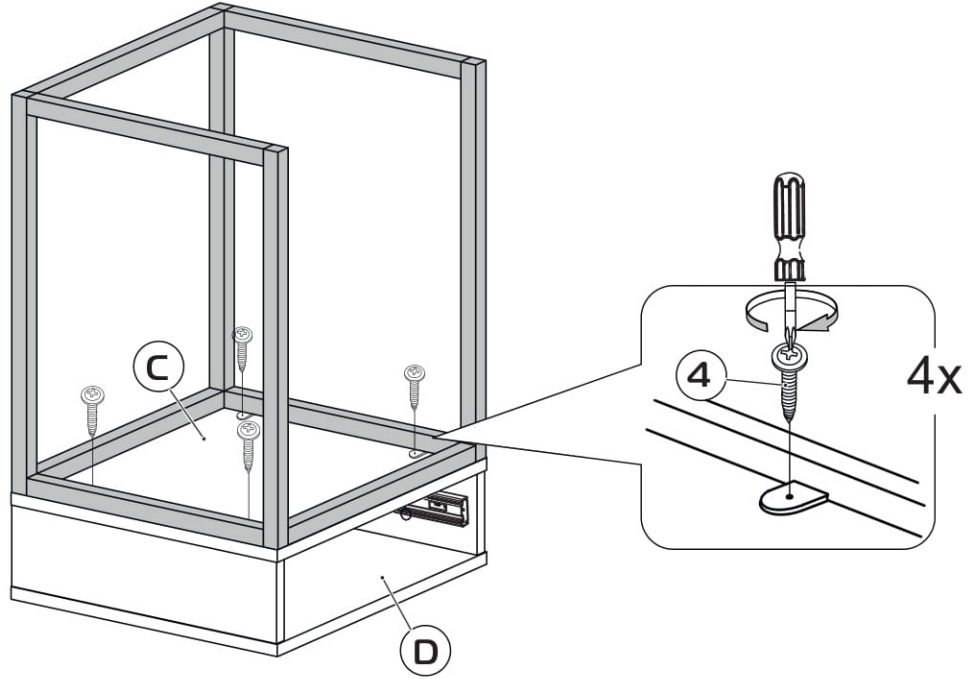
# 9



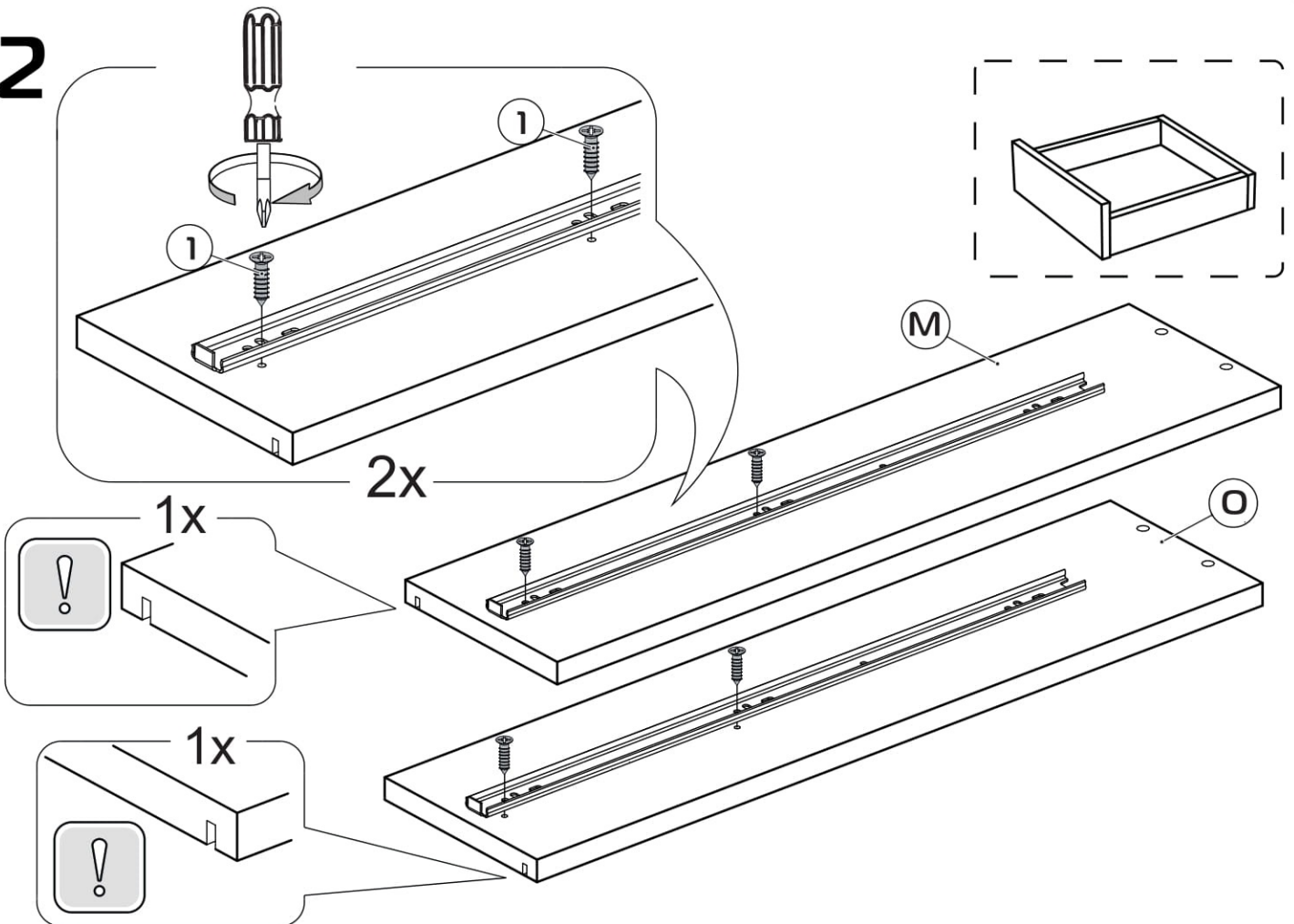
# 10



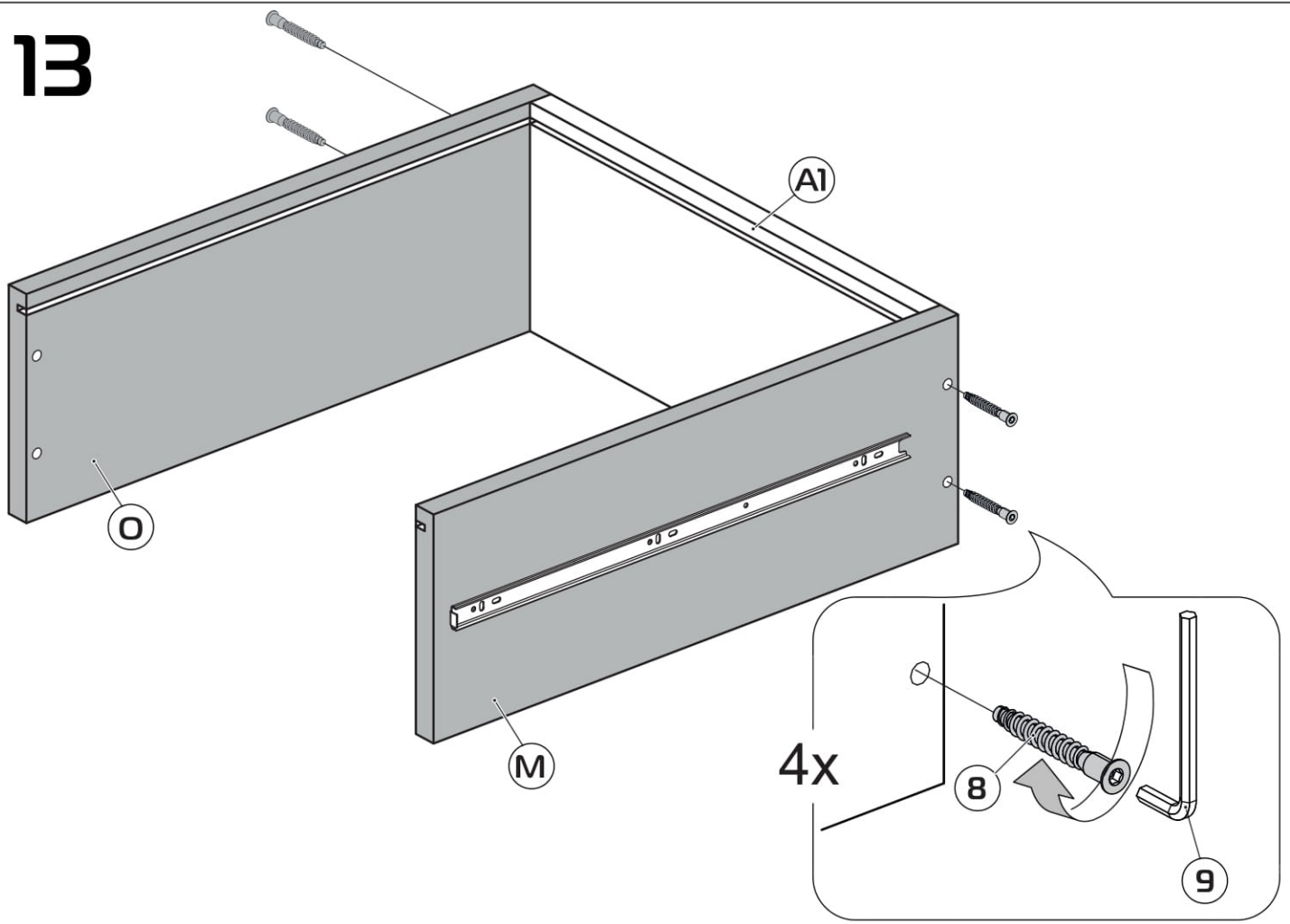
11



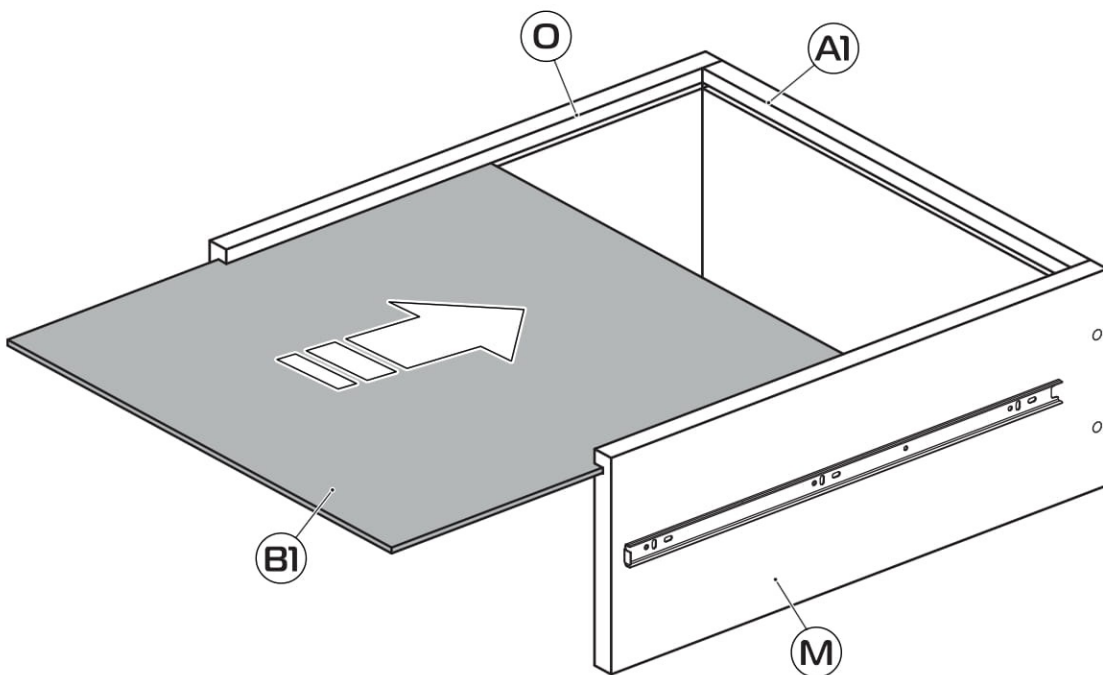
12



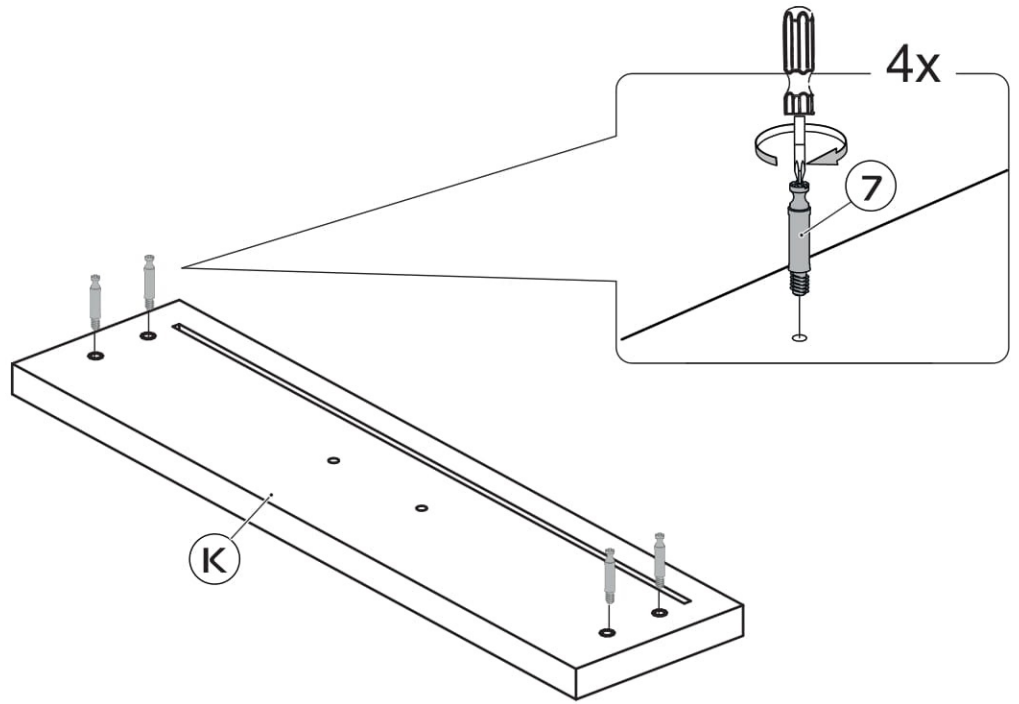
# 13



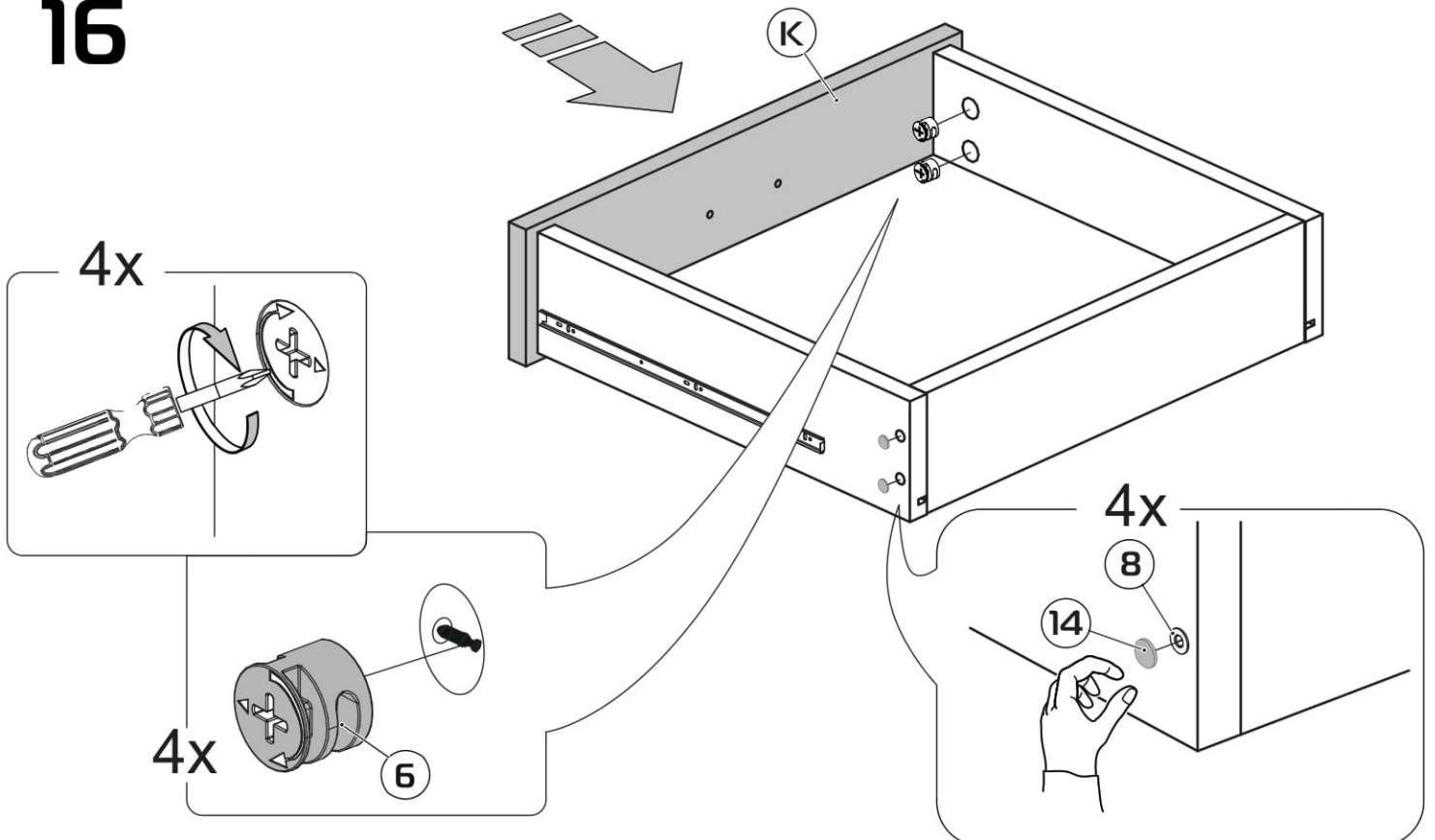
# 14



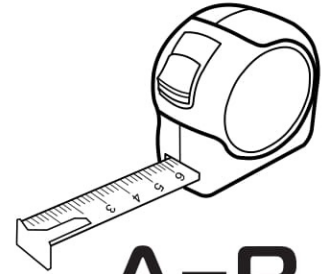
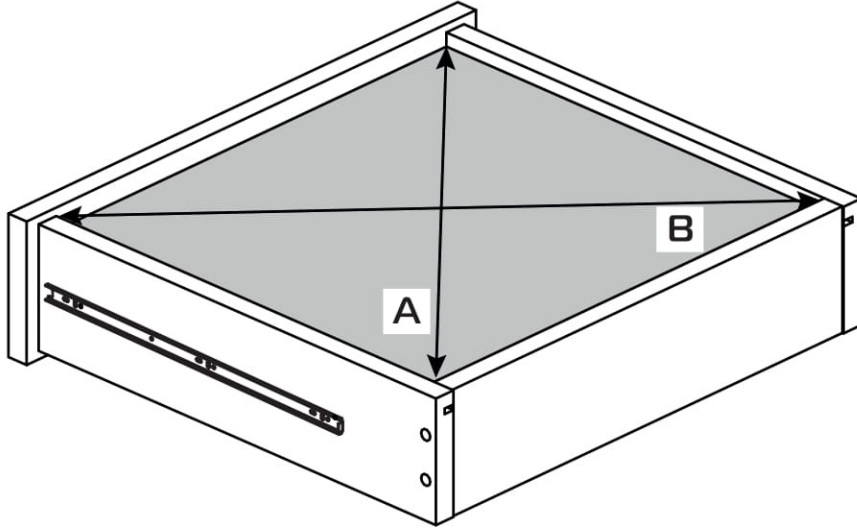
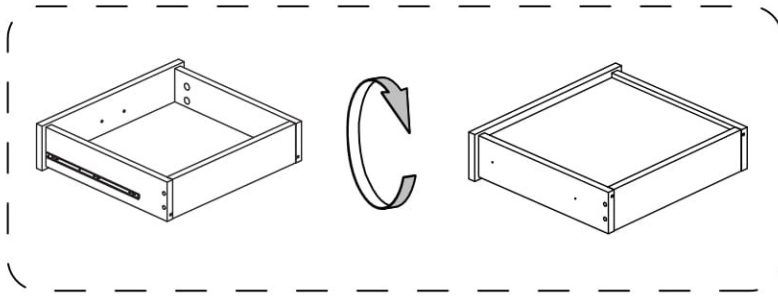
# 15



# 16

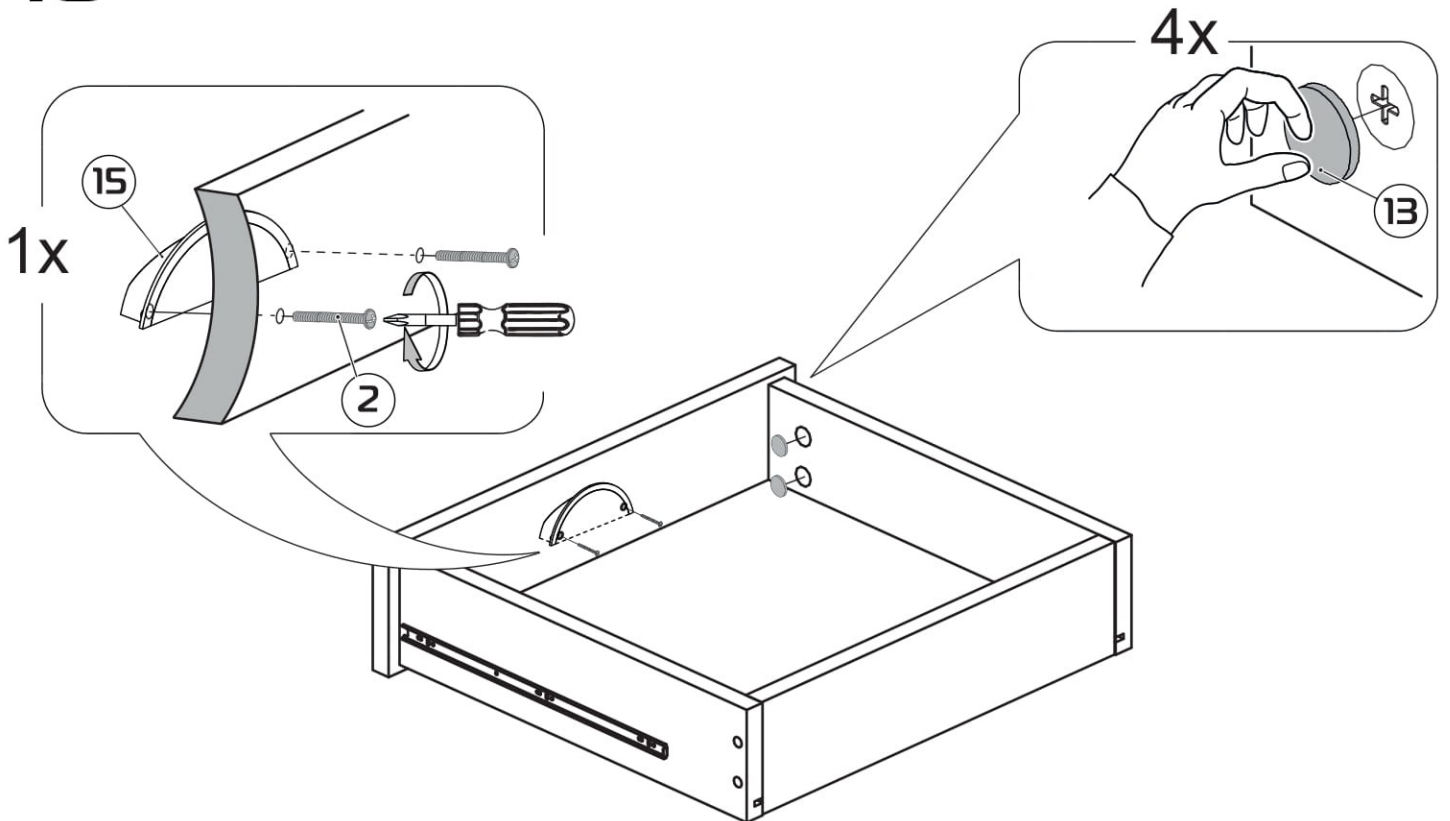


# 17

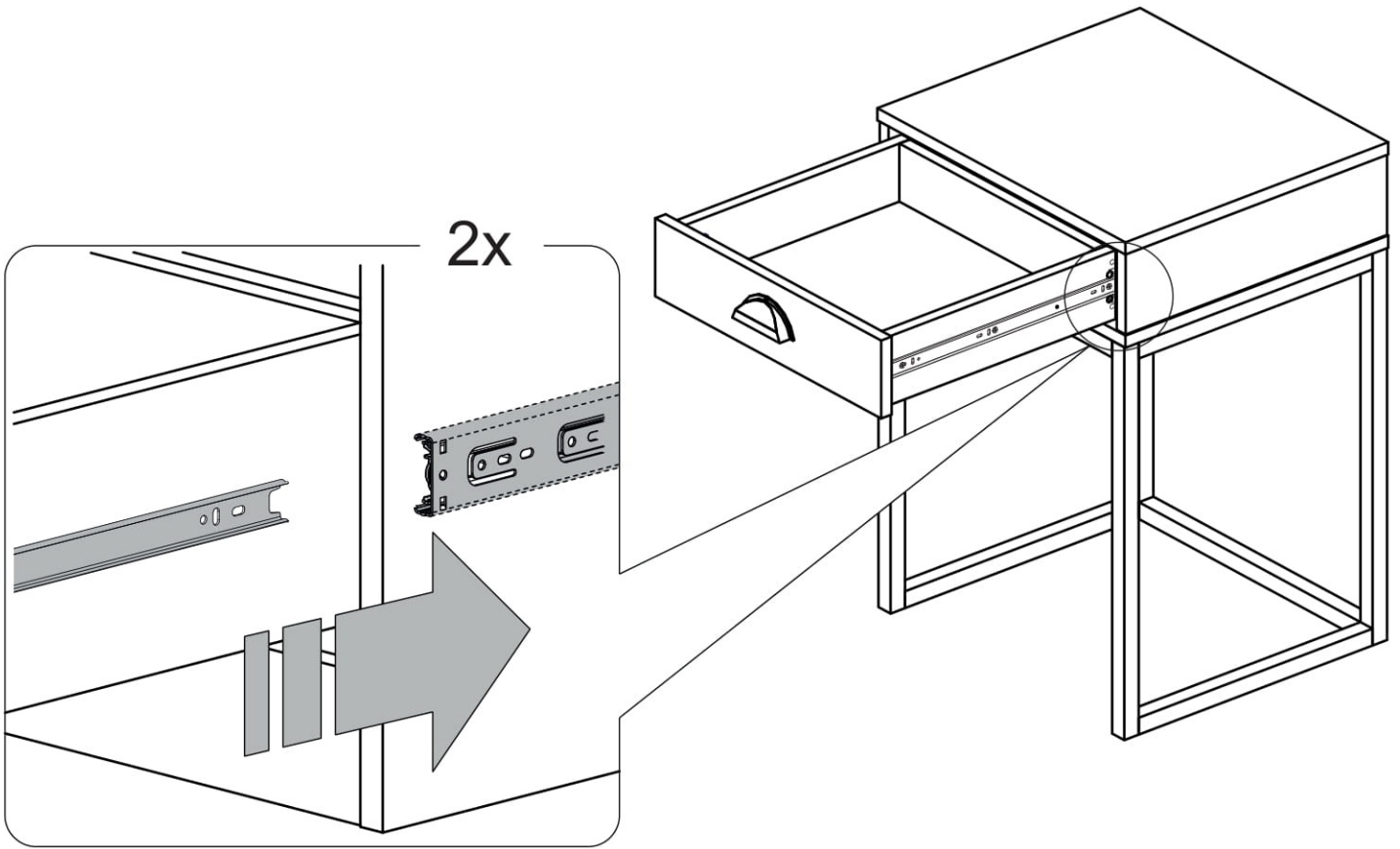


**A=B**

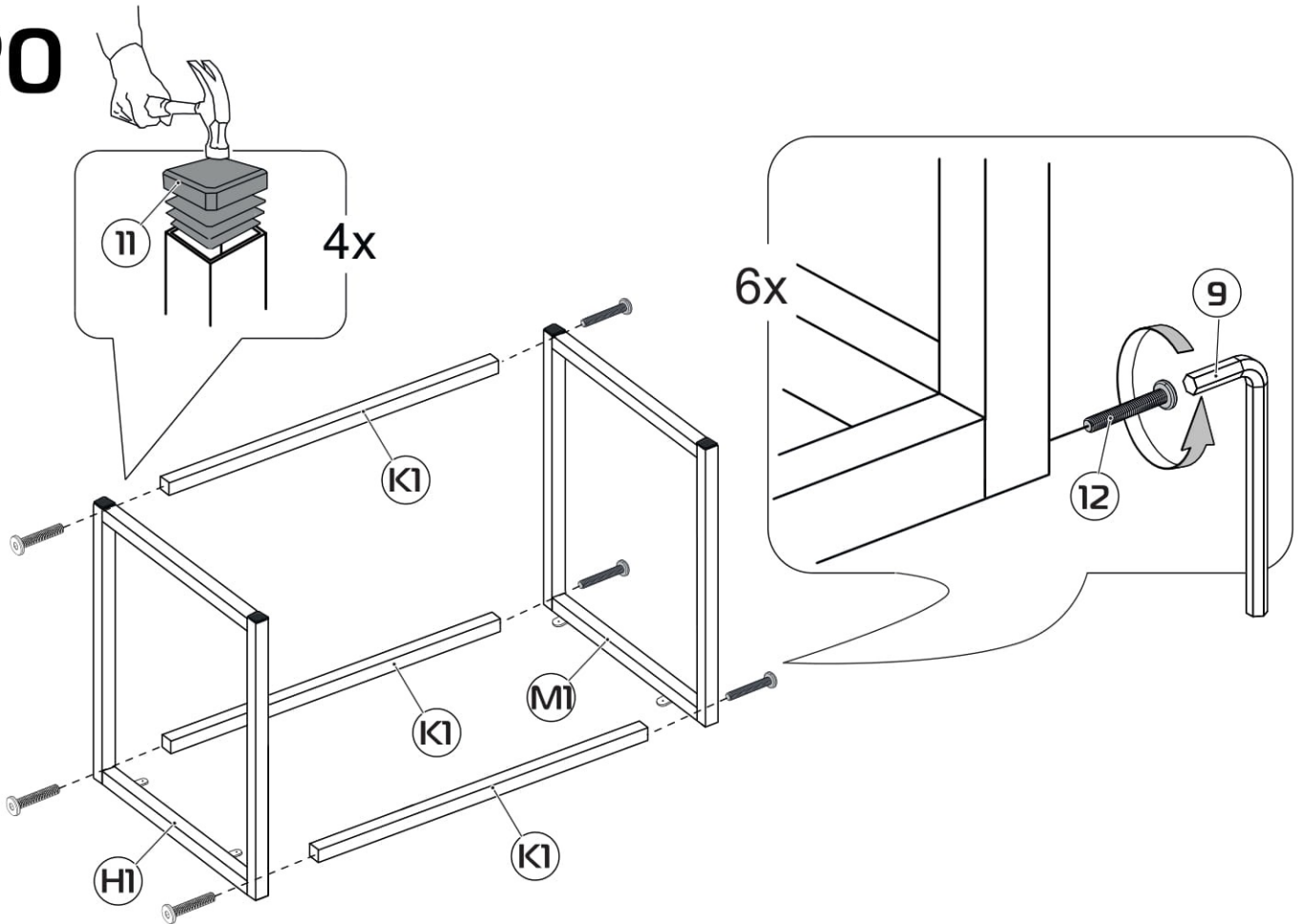
# 18



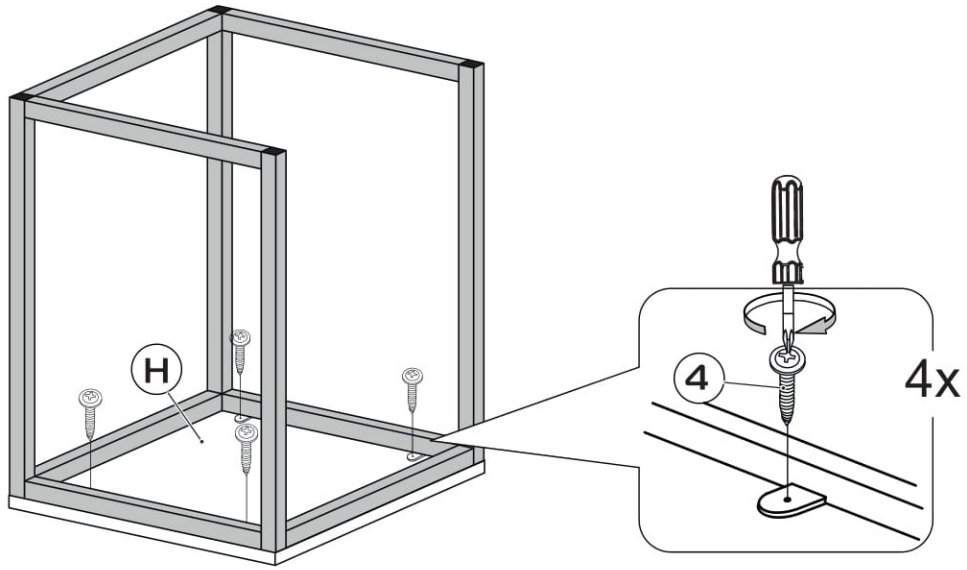
# 19



# 20



21



22

