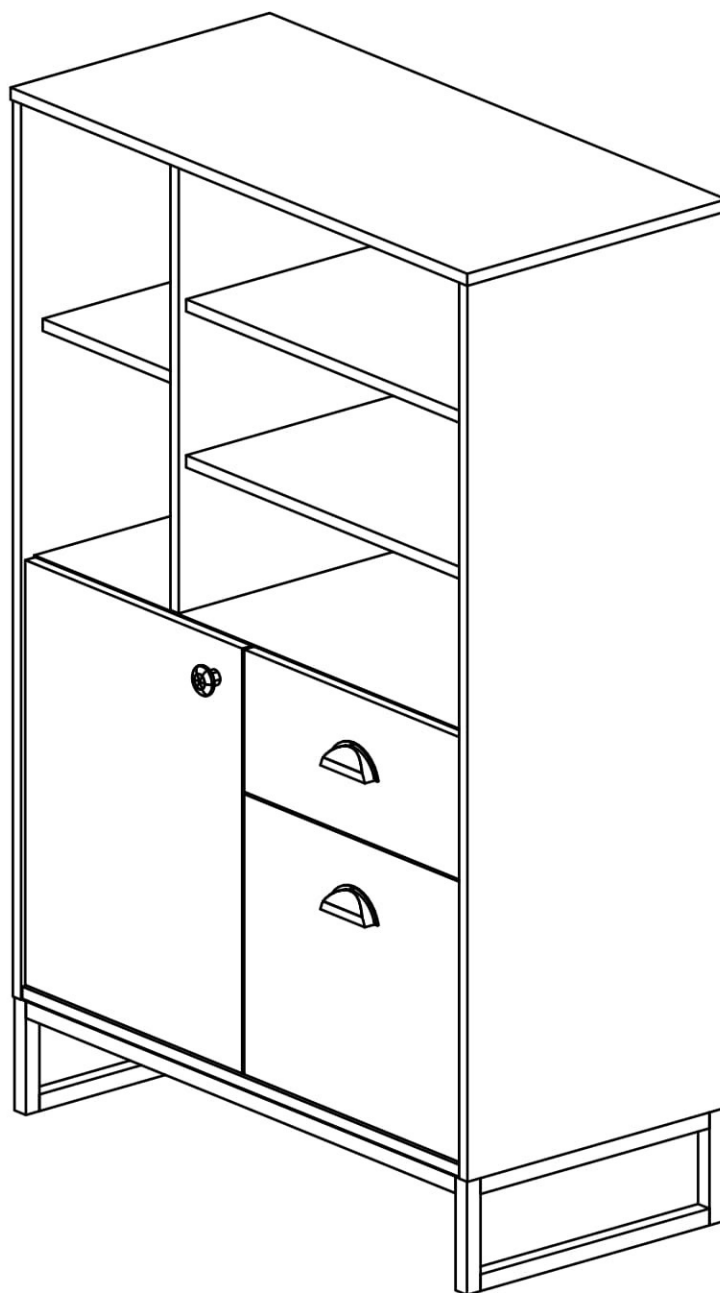
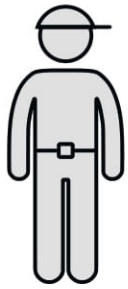


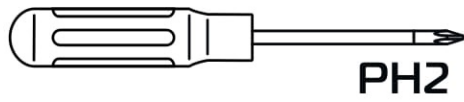
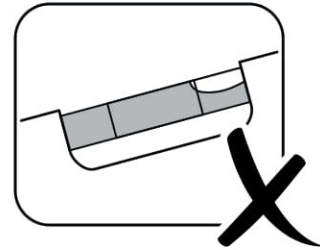
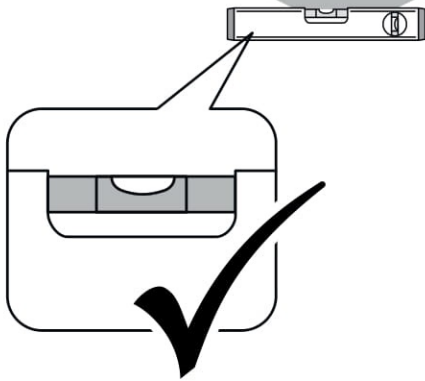
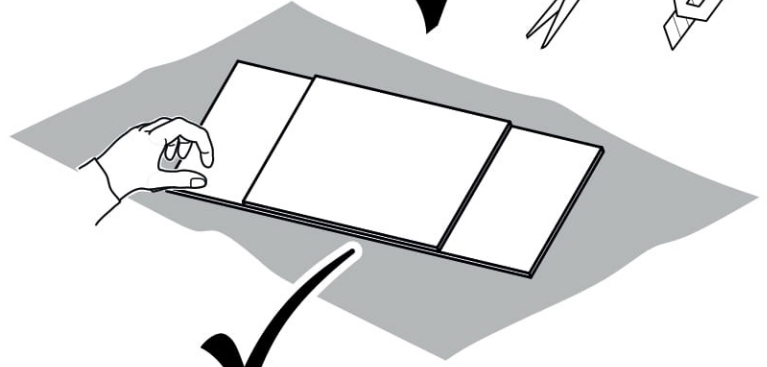
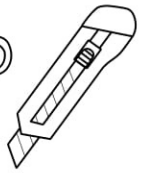
# Kombinovaný regál

## TREVOR

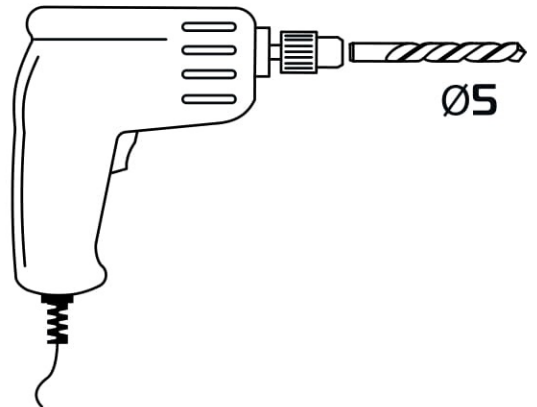
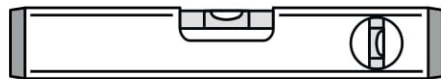
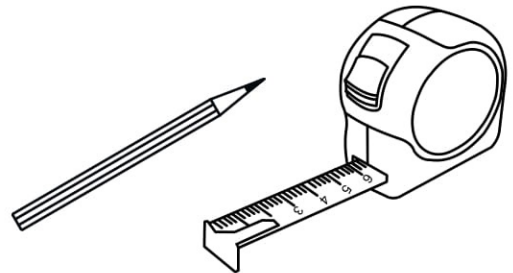




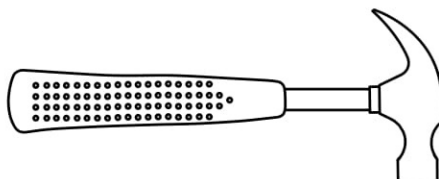
120 min

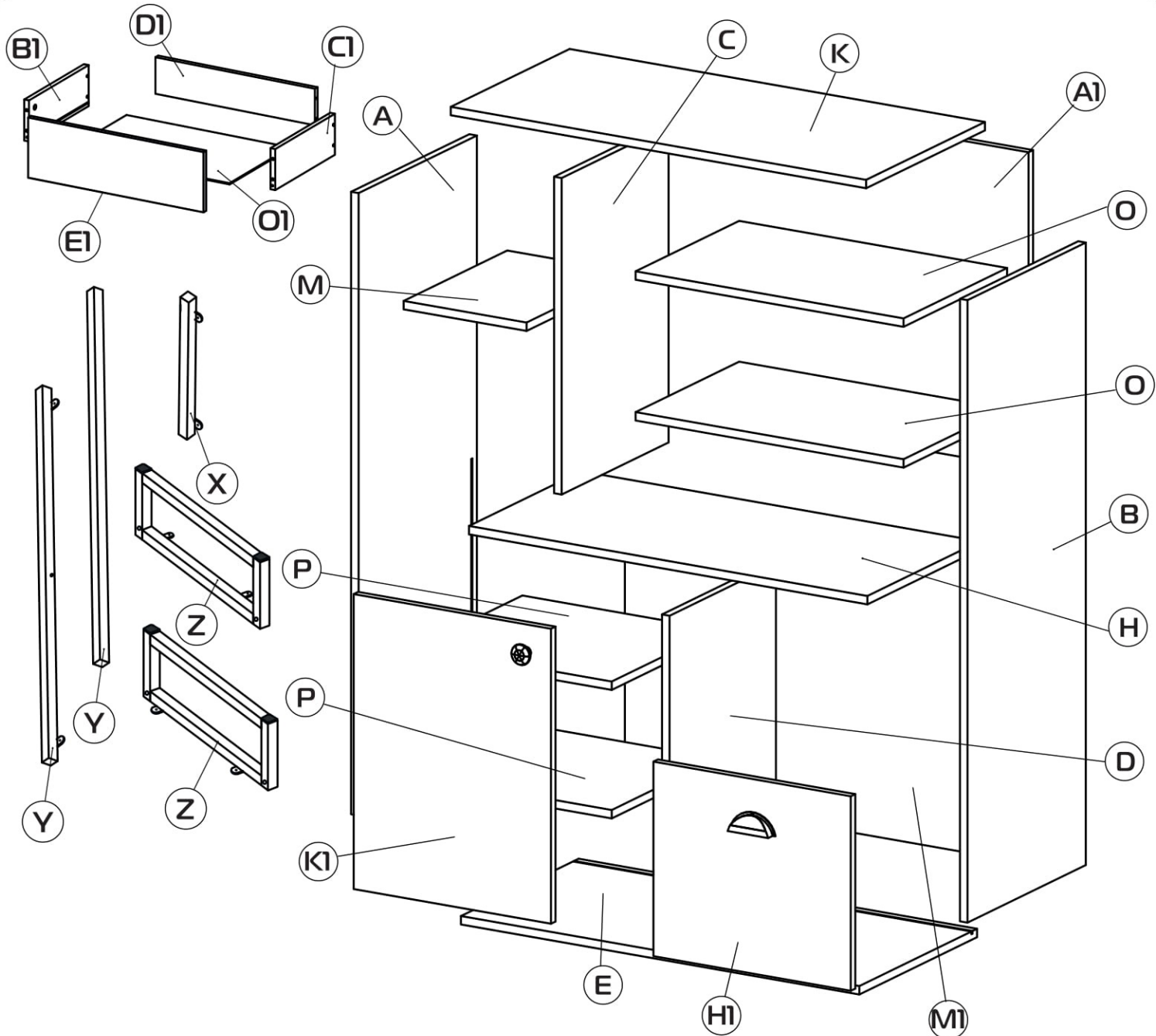


PH2



Ø5

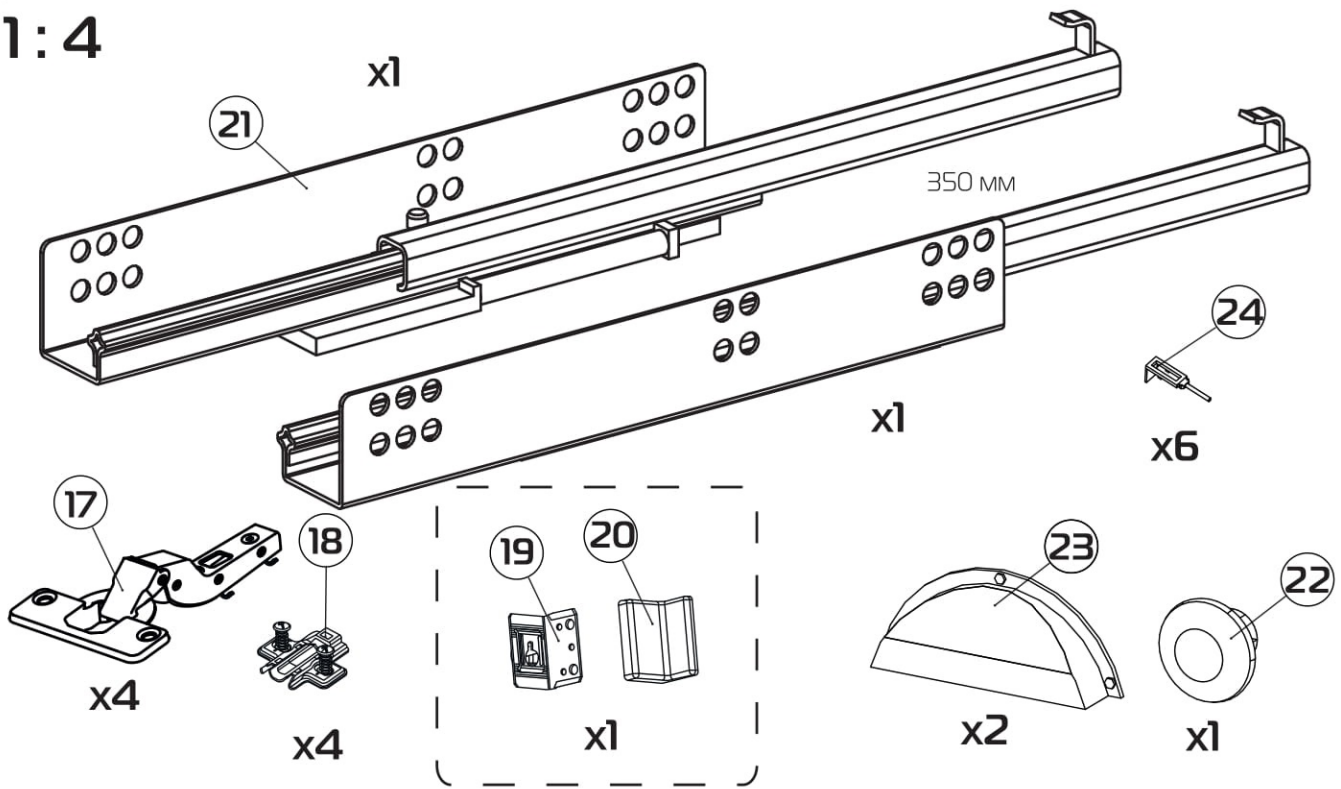




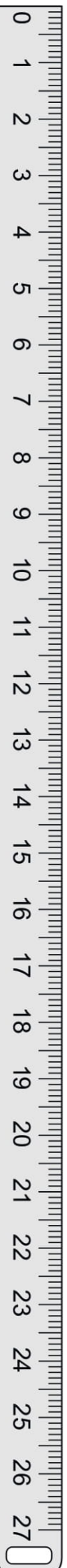
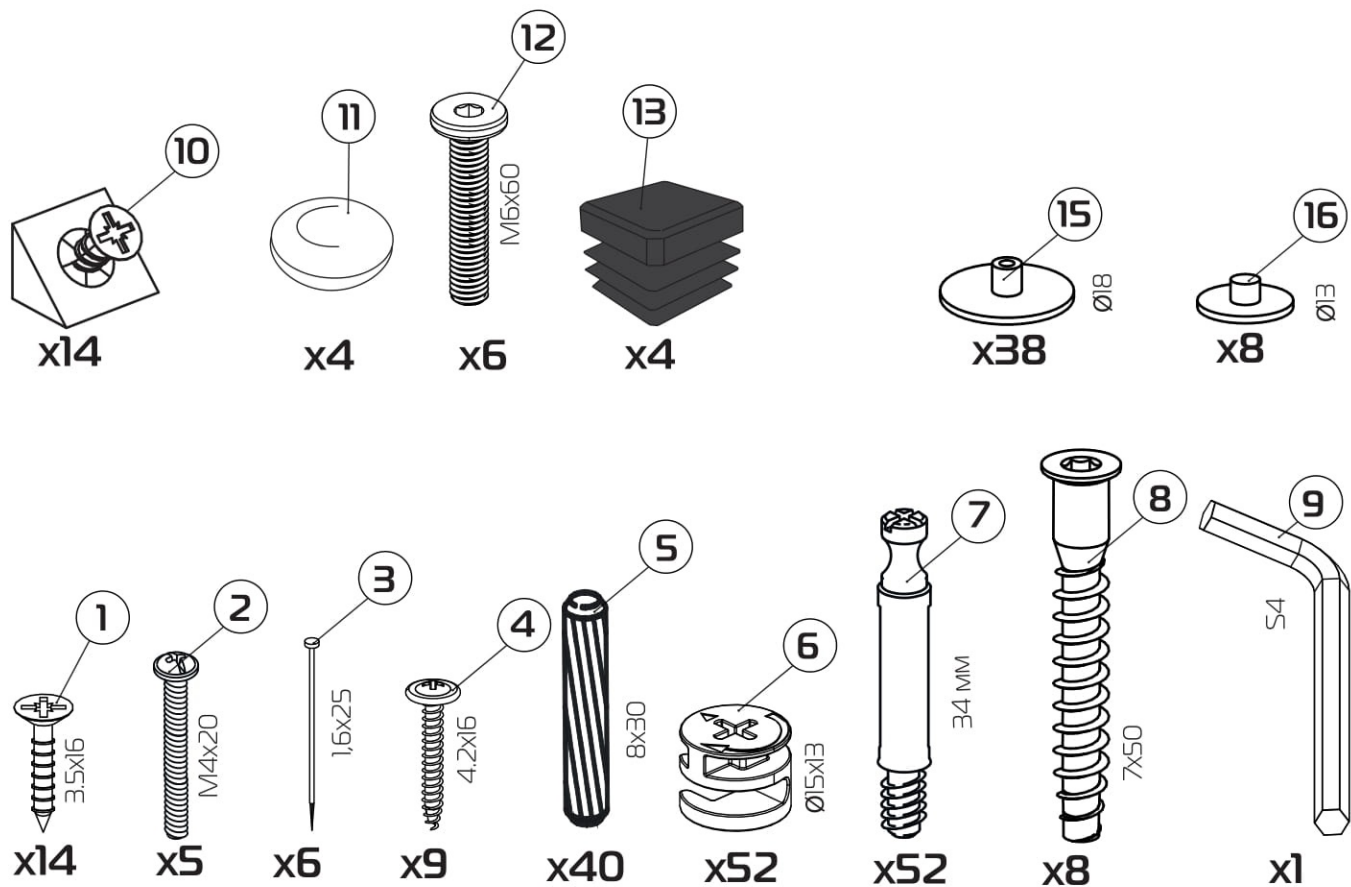
- (A) 689020.001 1184x418x16 (x1)
- (B) 689020.002 1184x418x16 (x1)
- (C) 689020.003 602x378x16 (x1)
- (D) 689020.004 549x376x16 (x1)
- (E) 689020.005 846x416x16 (x1)
- (H) 689020.006 846x397x16 (x1)
- (K) 689020.007 882x420x16 (x1)
- (M) 689020.008 261x366x16 (x1)
- (O) 689020.009 569x366x16 (x2)
- (P) 689020.010 415x375x16 (x2)
- (AI) 689020.011 602x846x16 (x1)

- (BI) 689020.012 350x128x16 (x1)
- (CI) 689020.013 350x128x16 (x1)
- (DI) 689020.014 373x114x16 (x1)
- (EI) 689020.015 419x188x16 (x1)
- (HI) 689020.016 370x419x16 (x1)
- (KI) 689020.017 561x419x16 (x1)
- (MI) 689020.018 557x854x4 (x1)
- (OI) 689020.019 387x355x4 (x1)
- (X) 684-03.00 374 (x1)
- (Y) 684-02.00 834 (x2)
- (Z) 684-01.00 414x150 (x2)

1:4

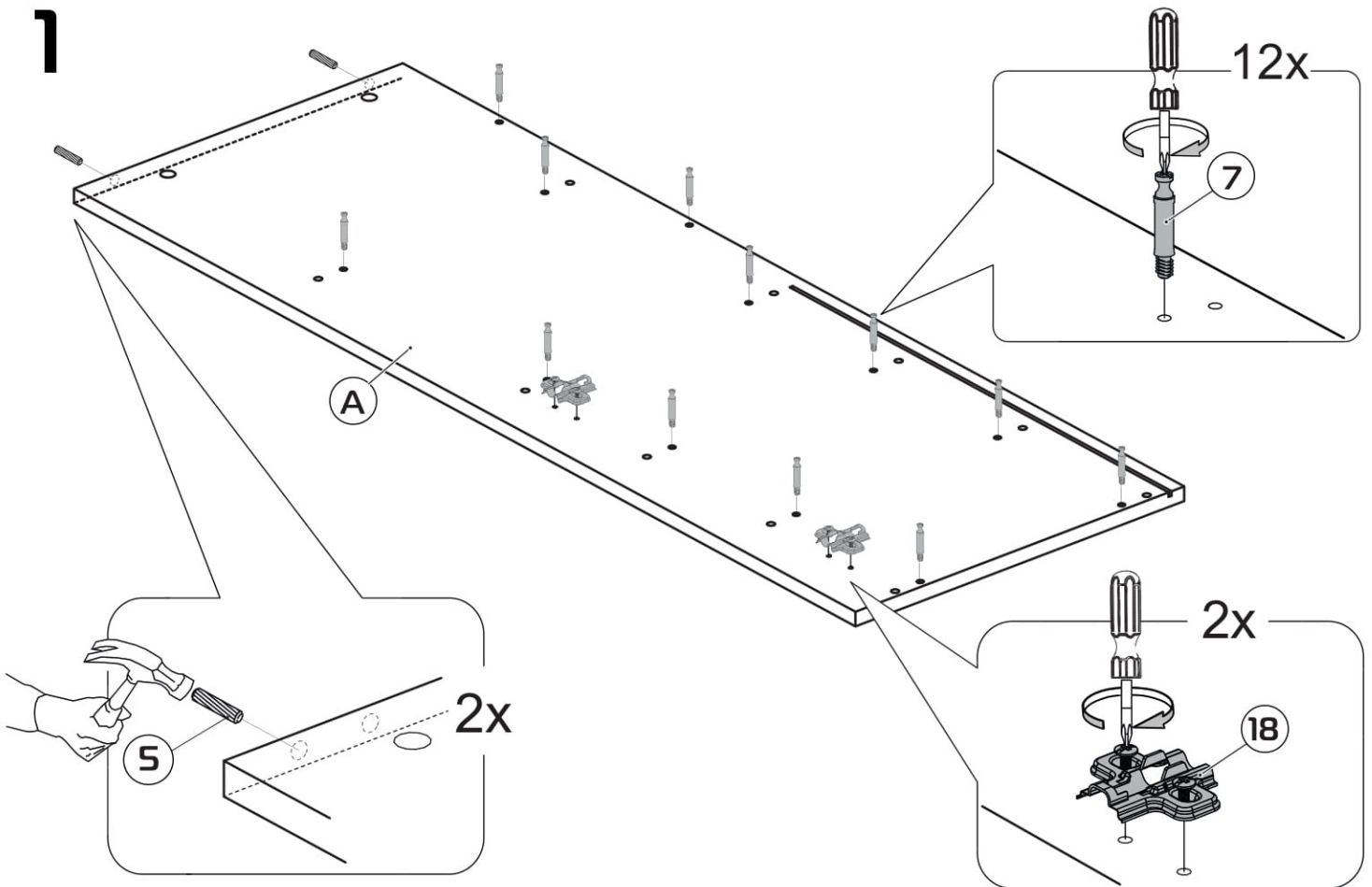


1:1

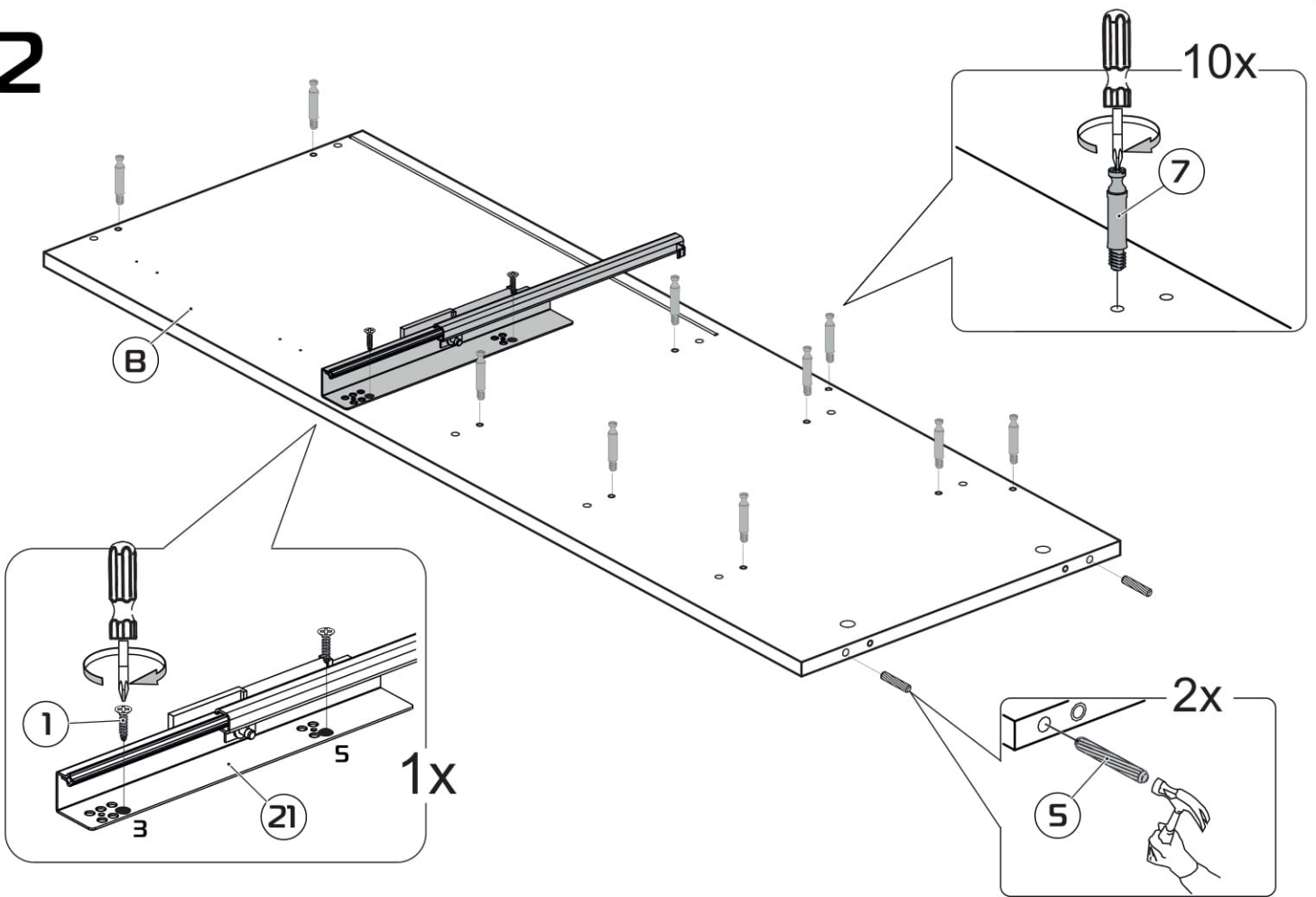




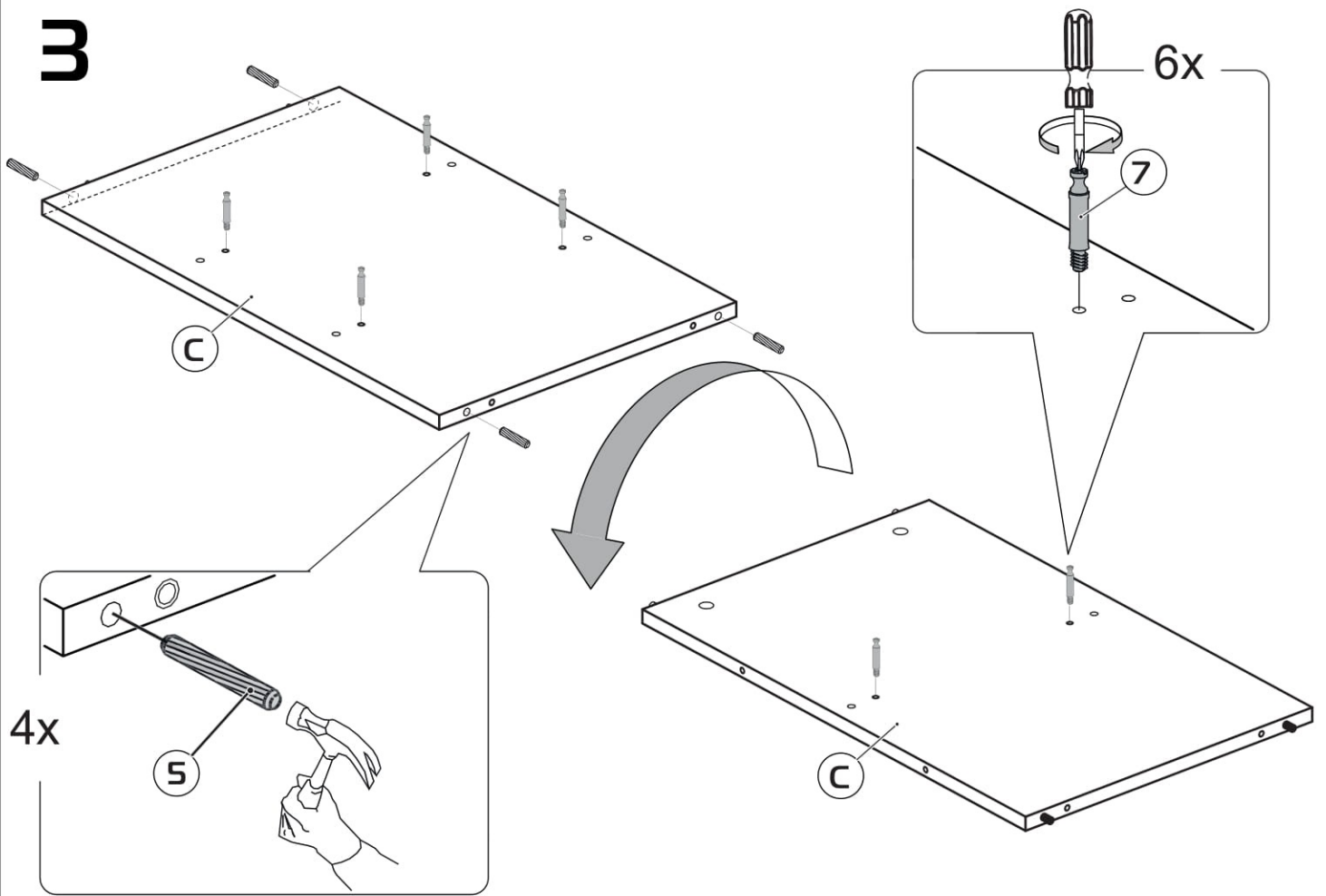
1



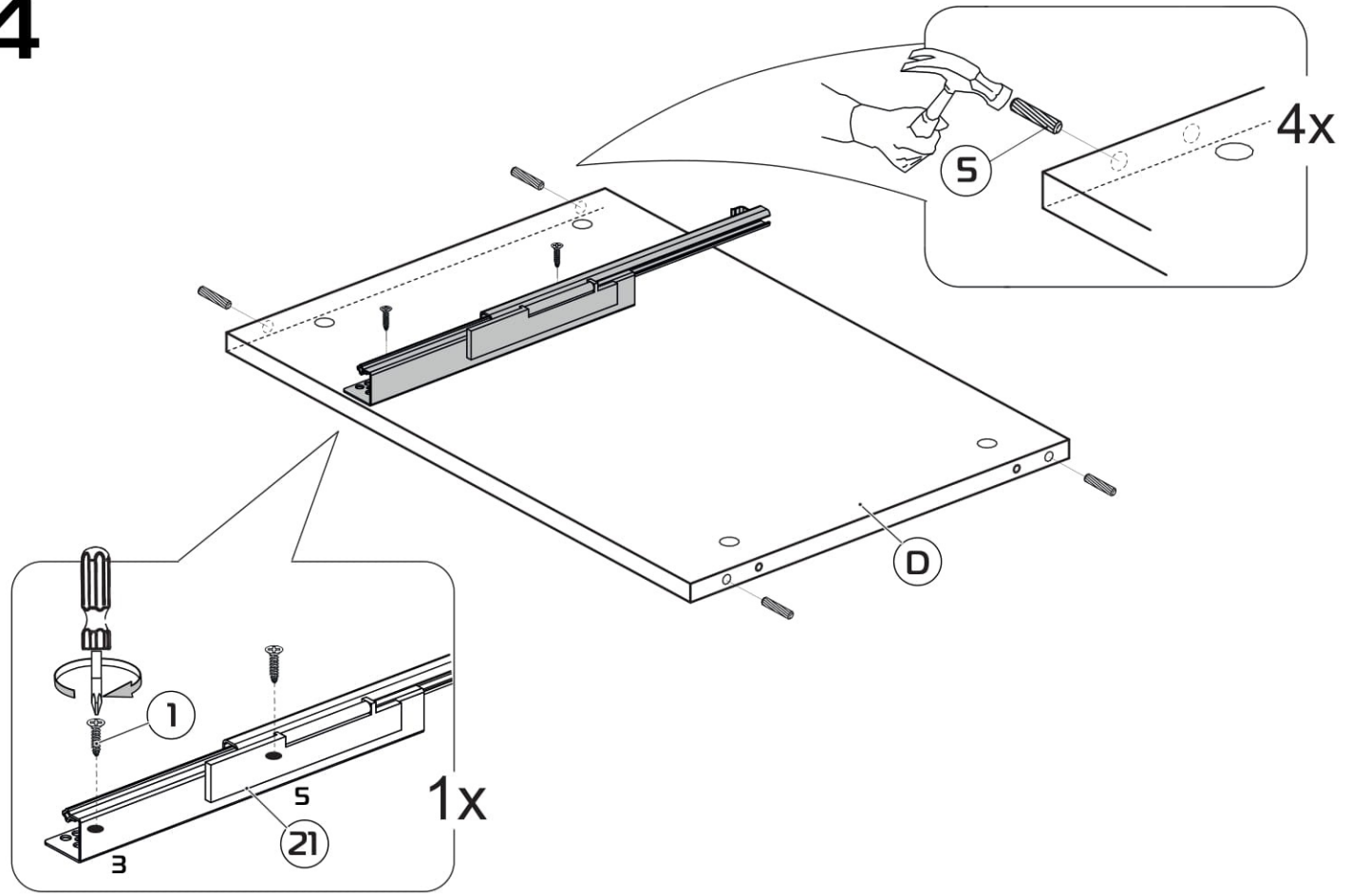
2



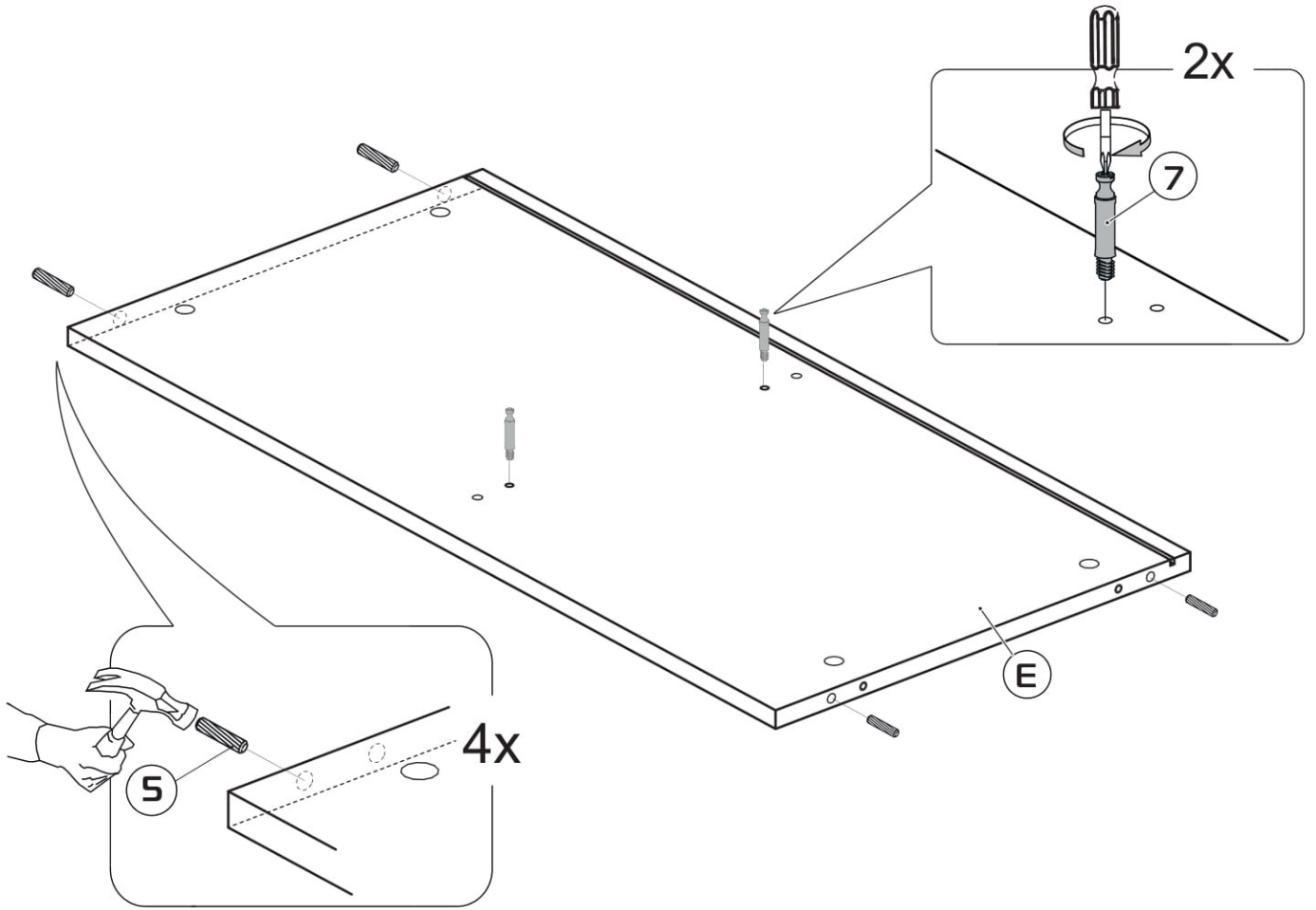
# 3



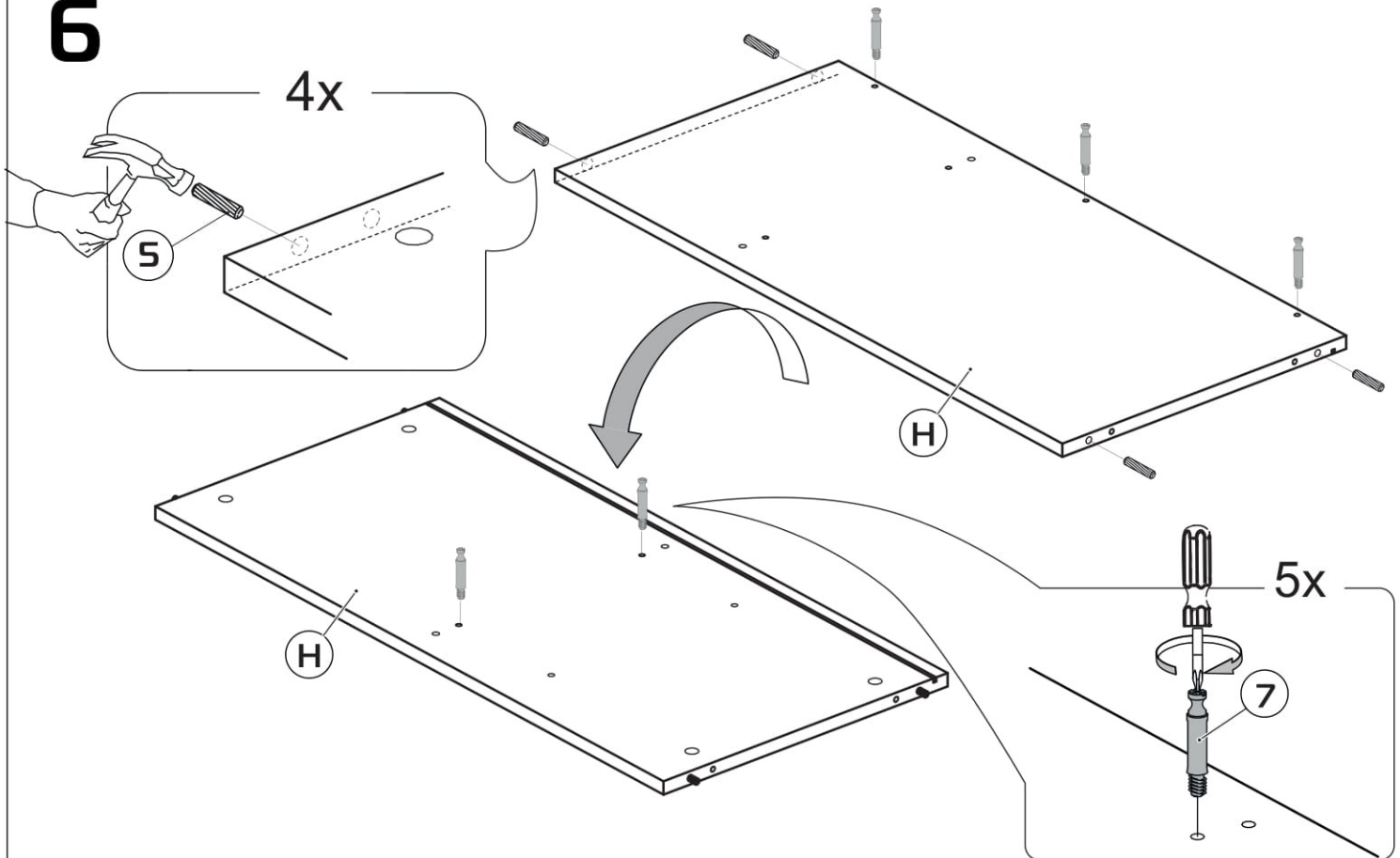
# 4



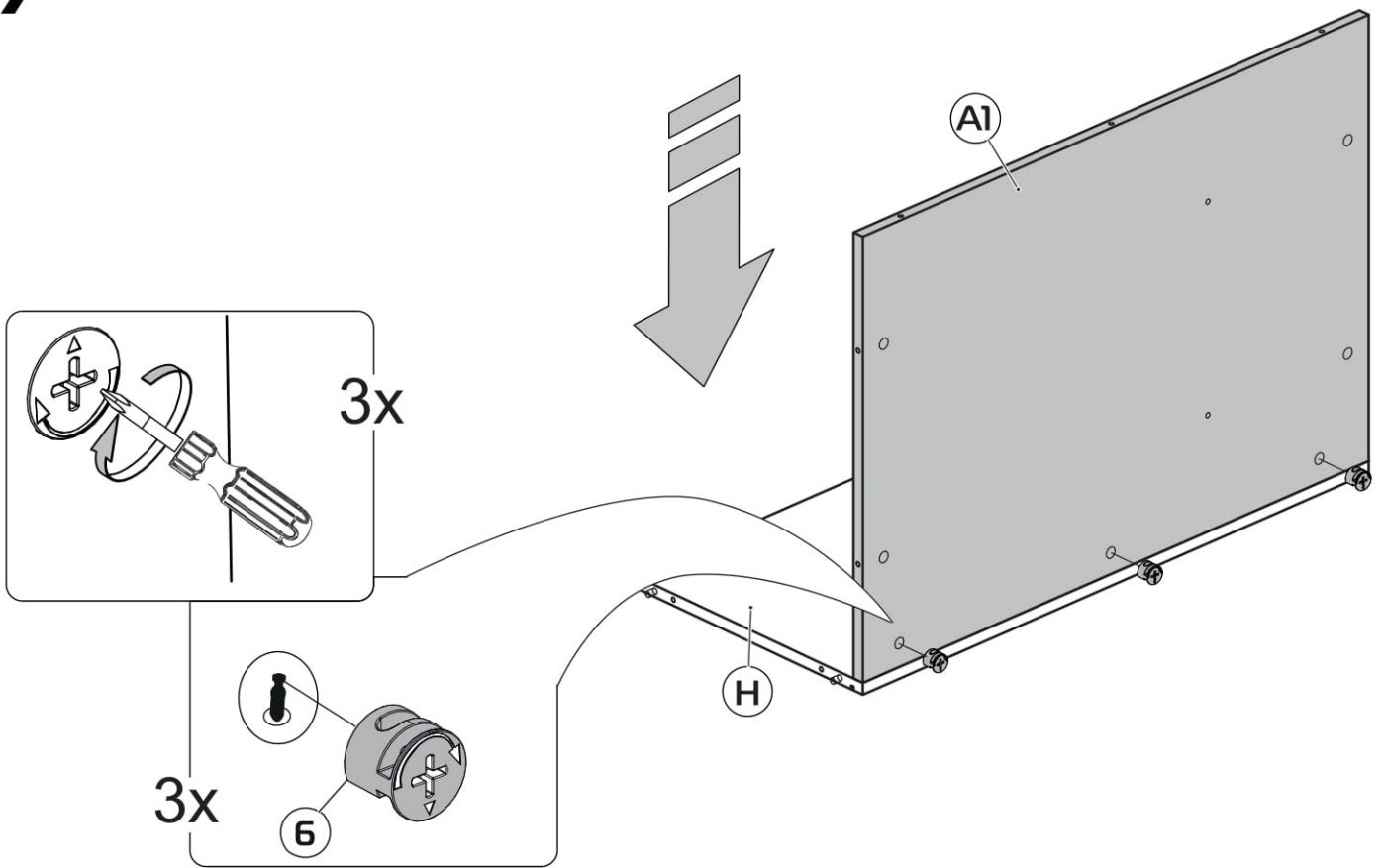
5



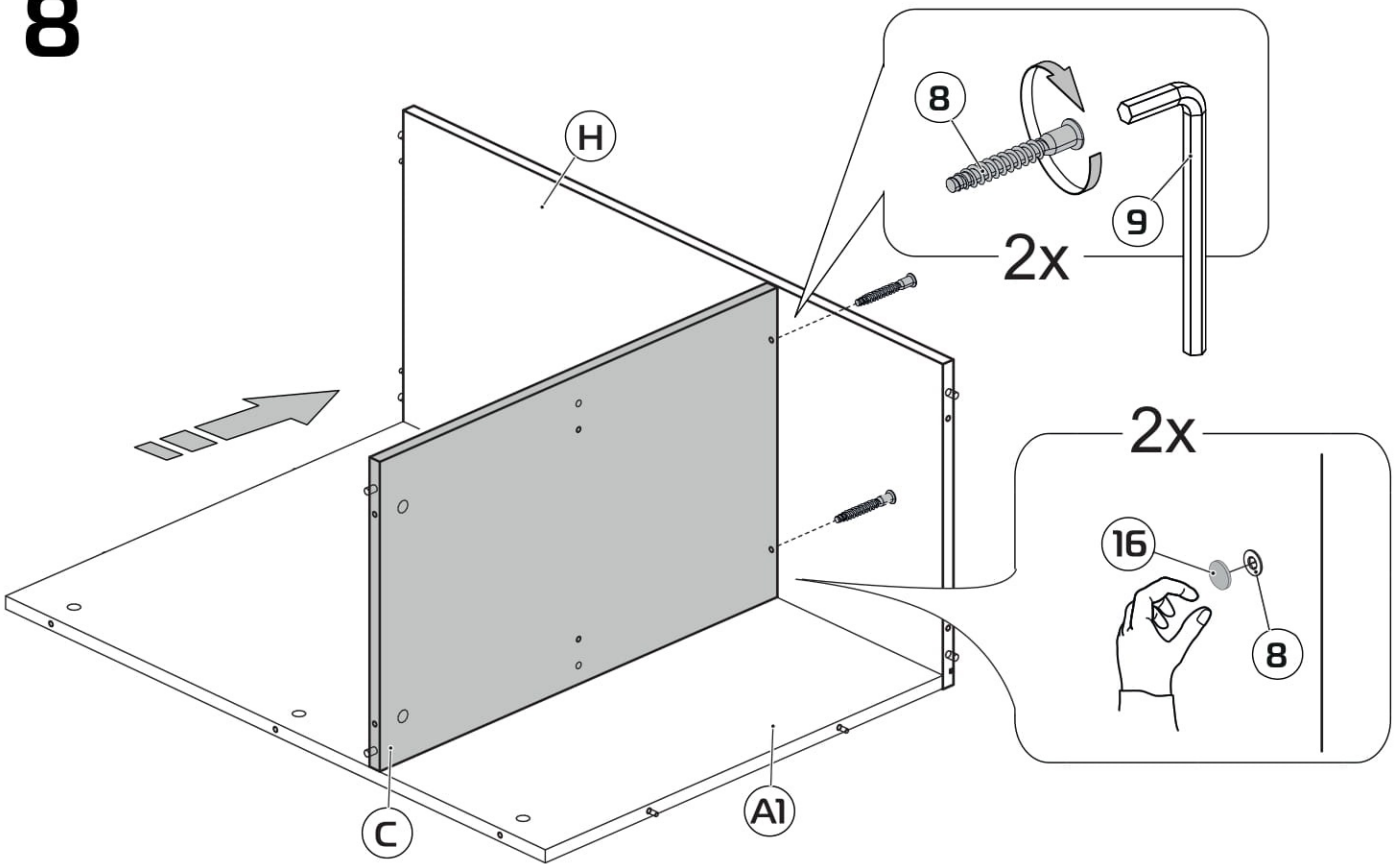
6



7

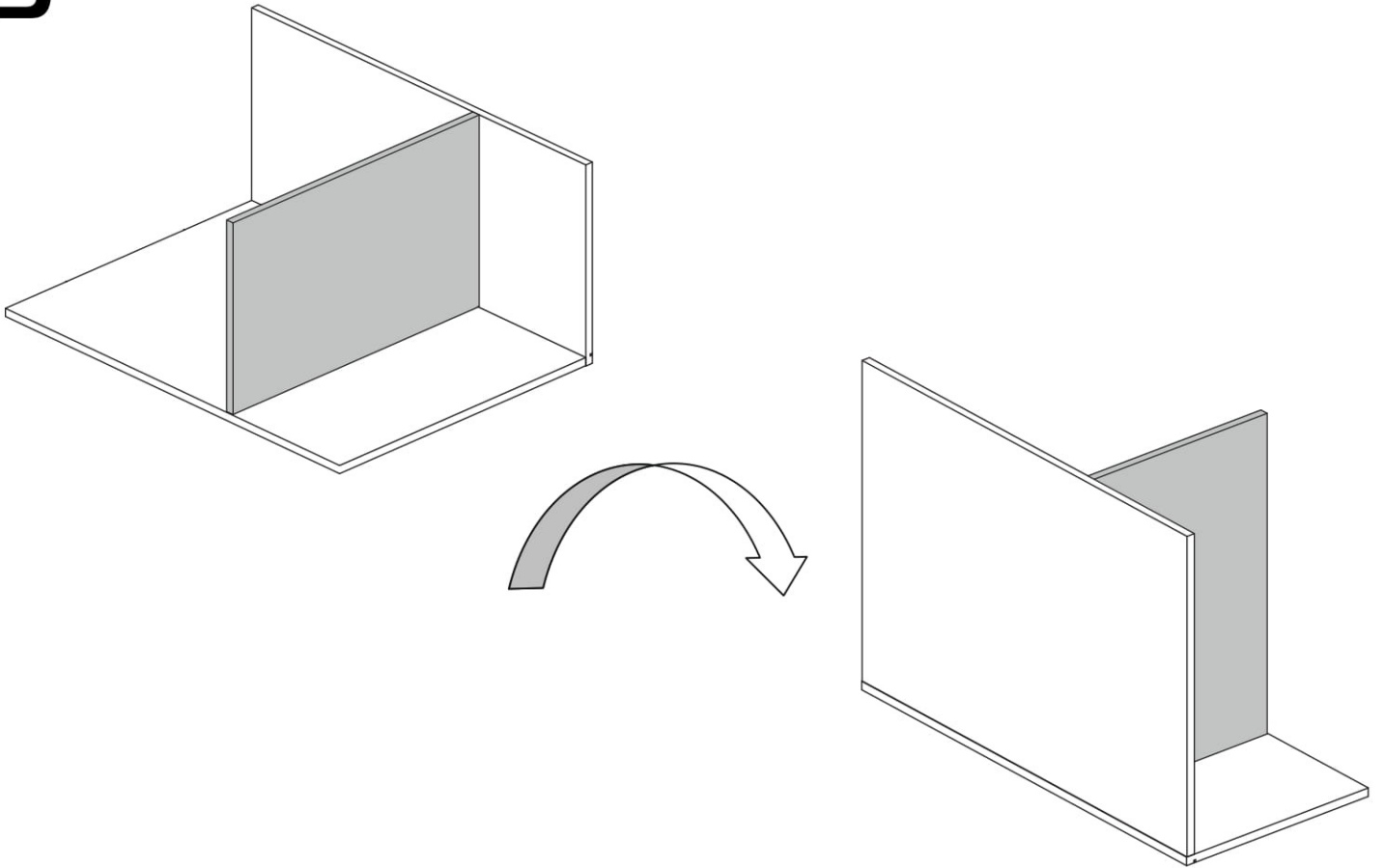


8

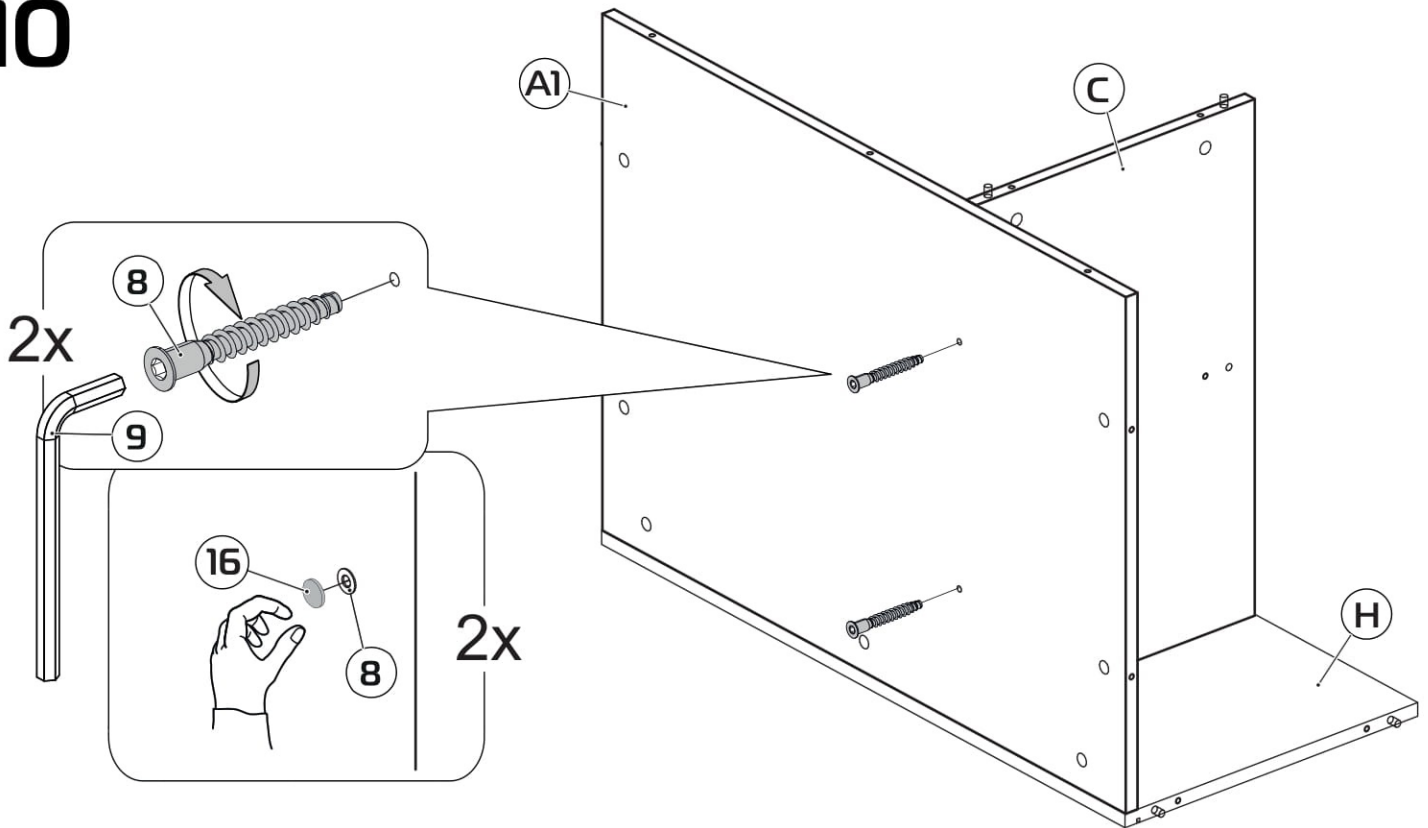




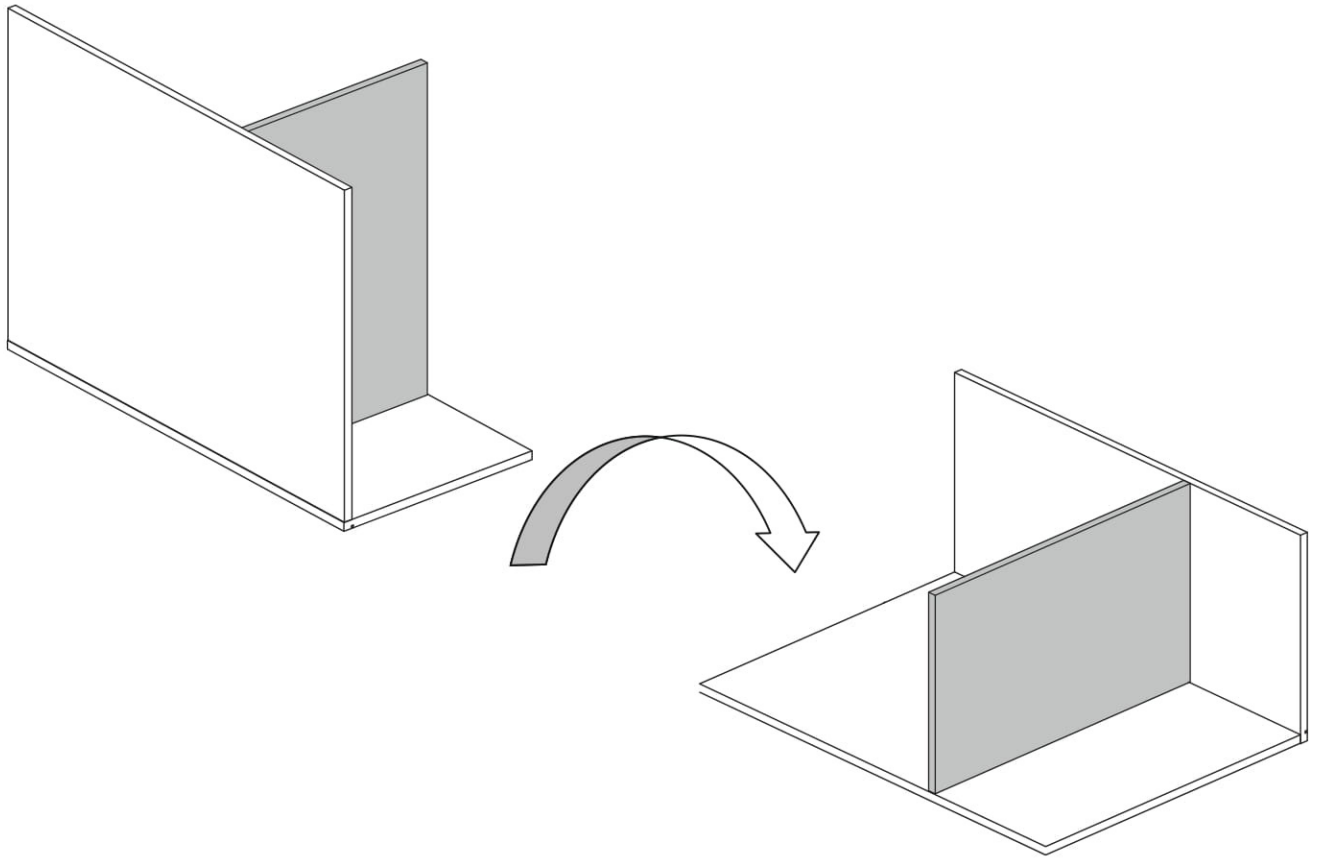
# 9



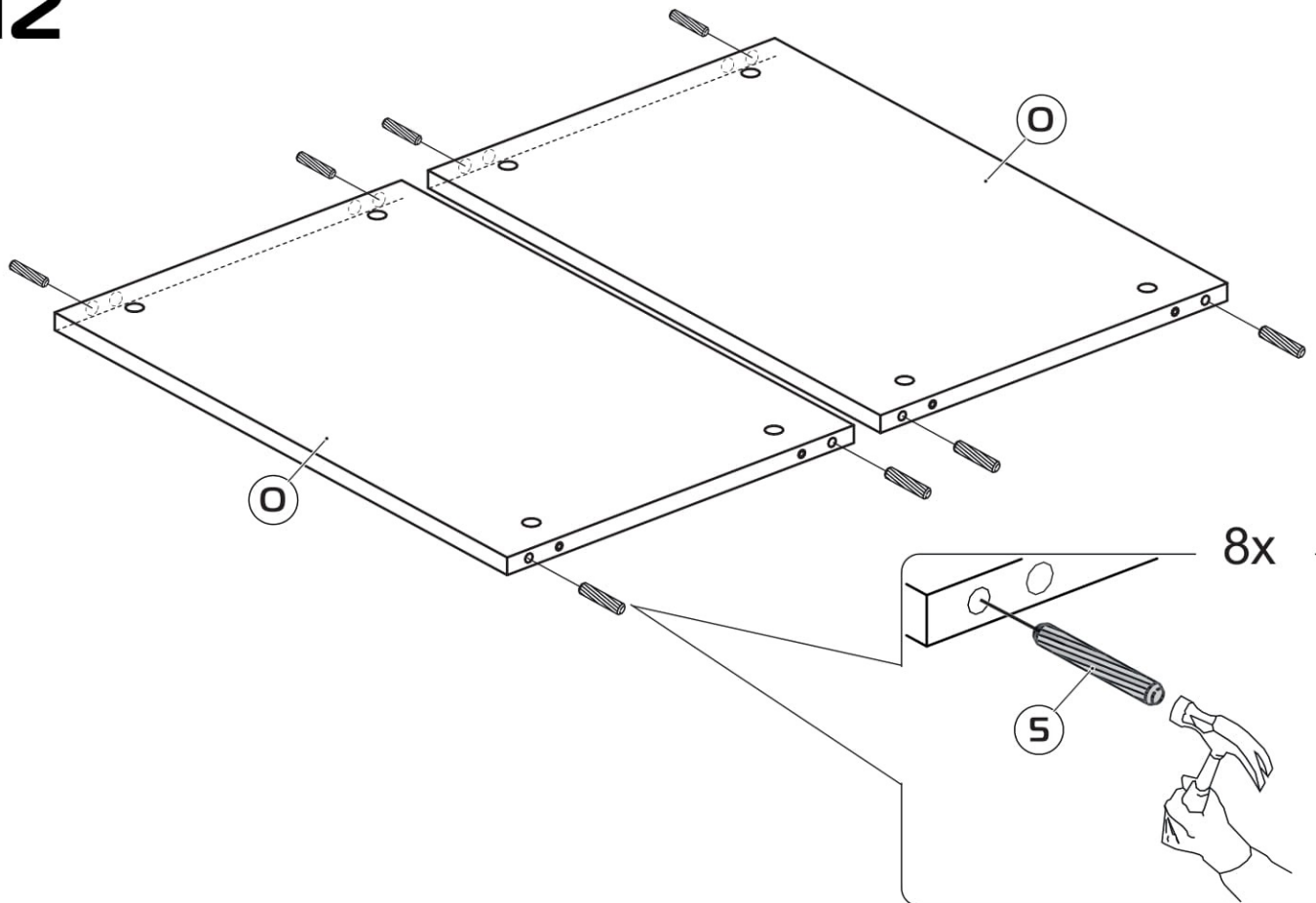
# 10



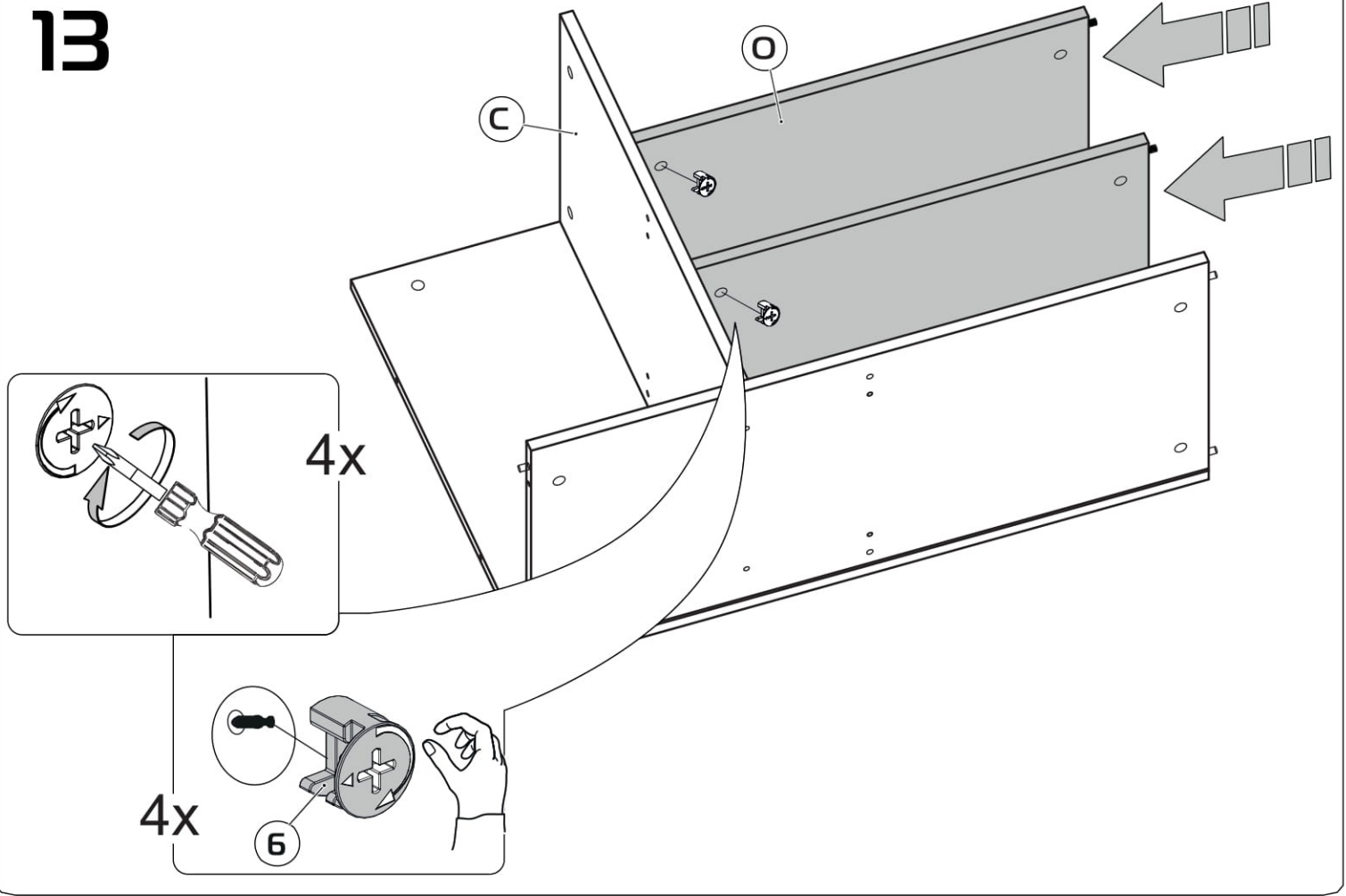
11



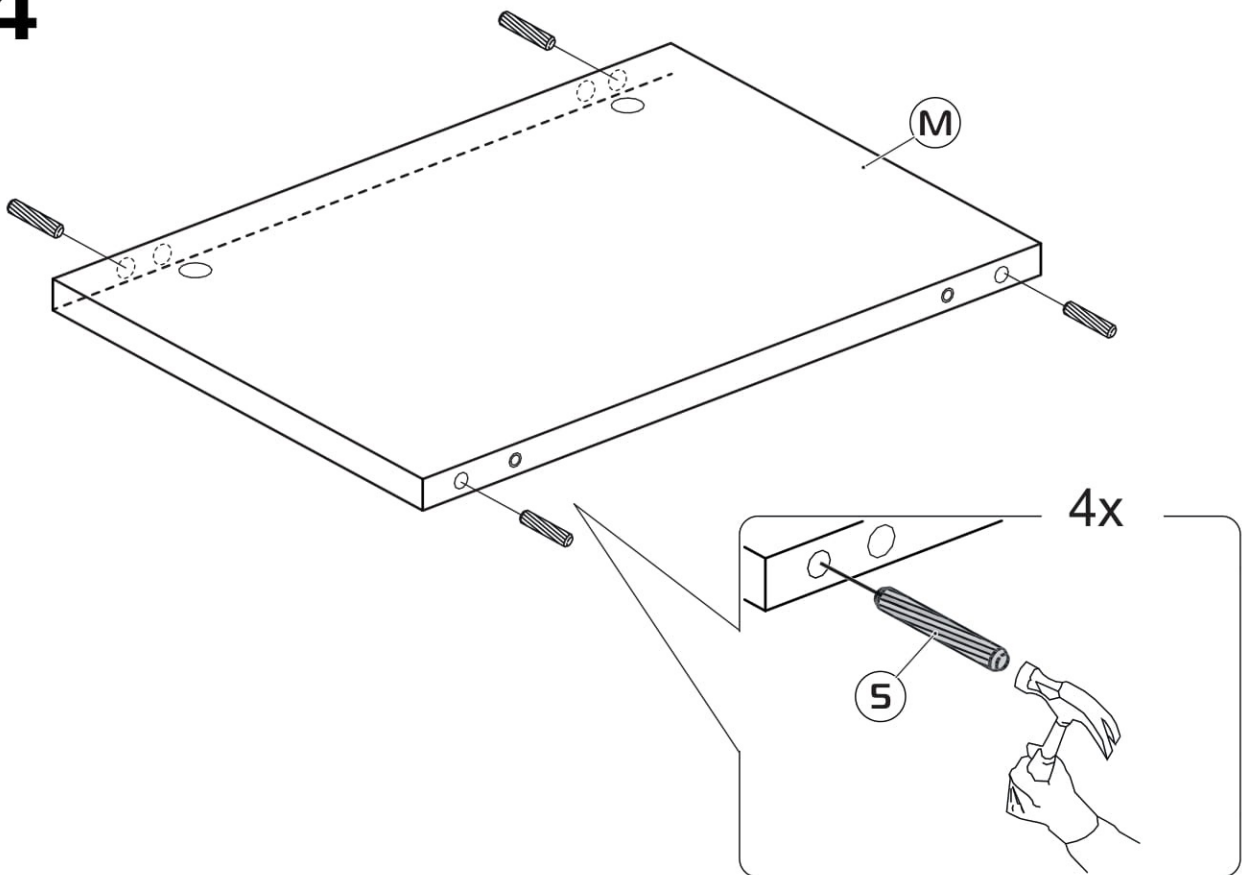
12



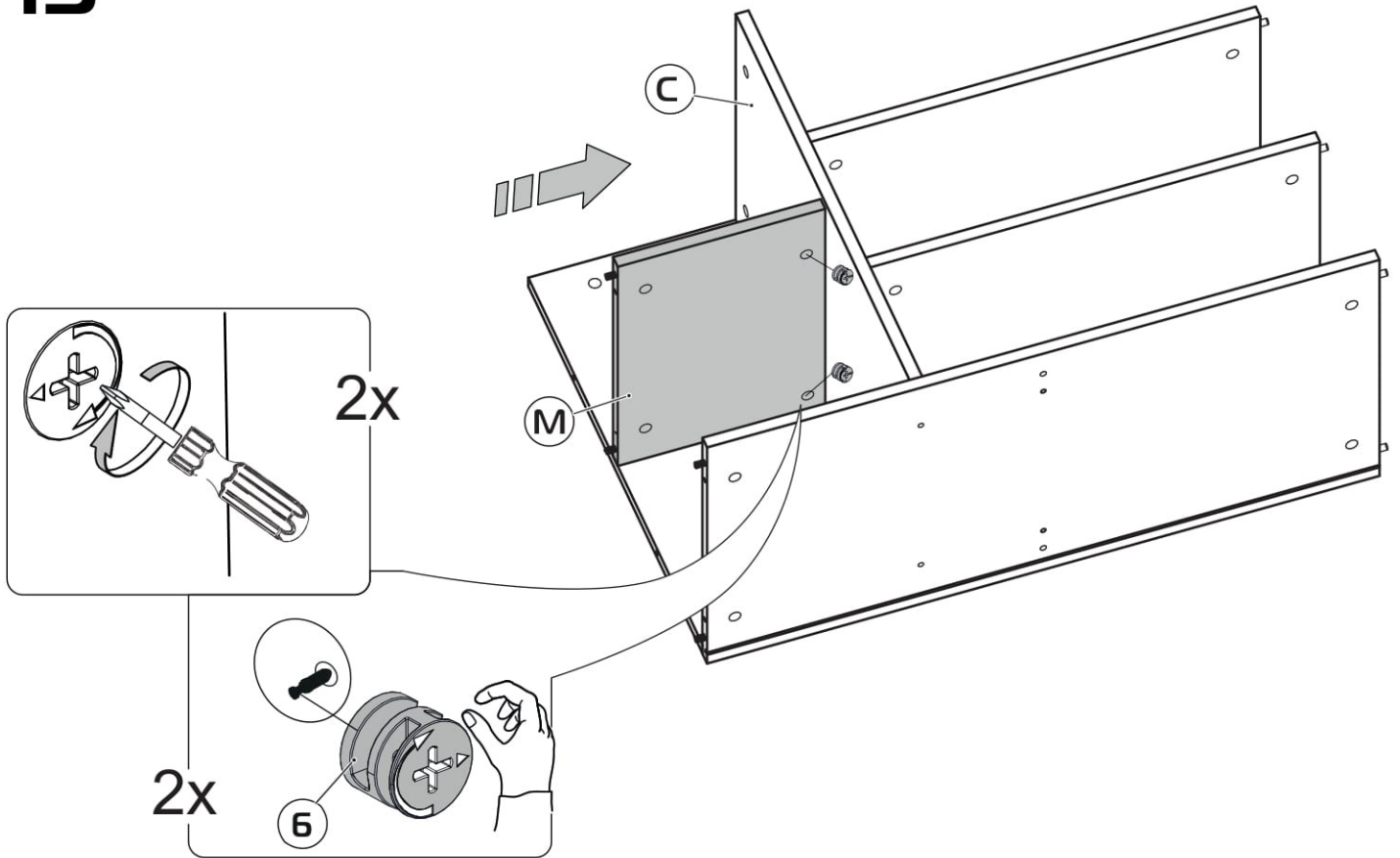
# 13



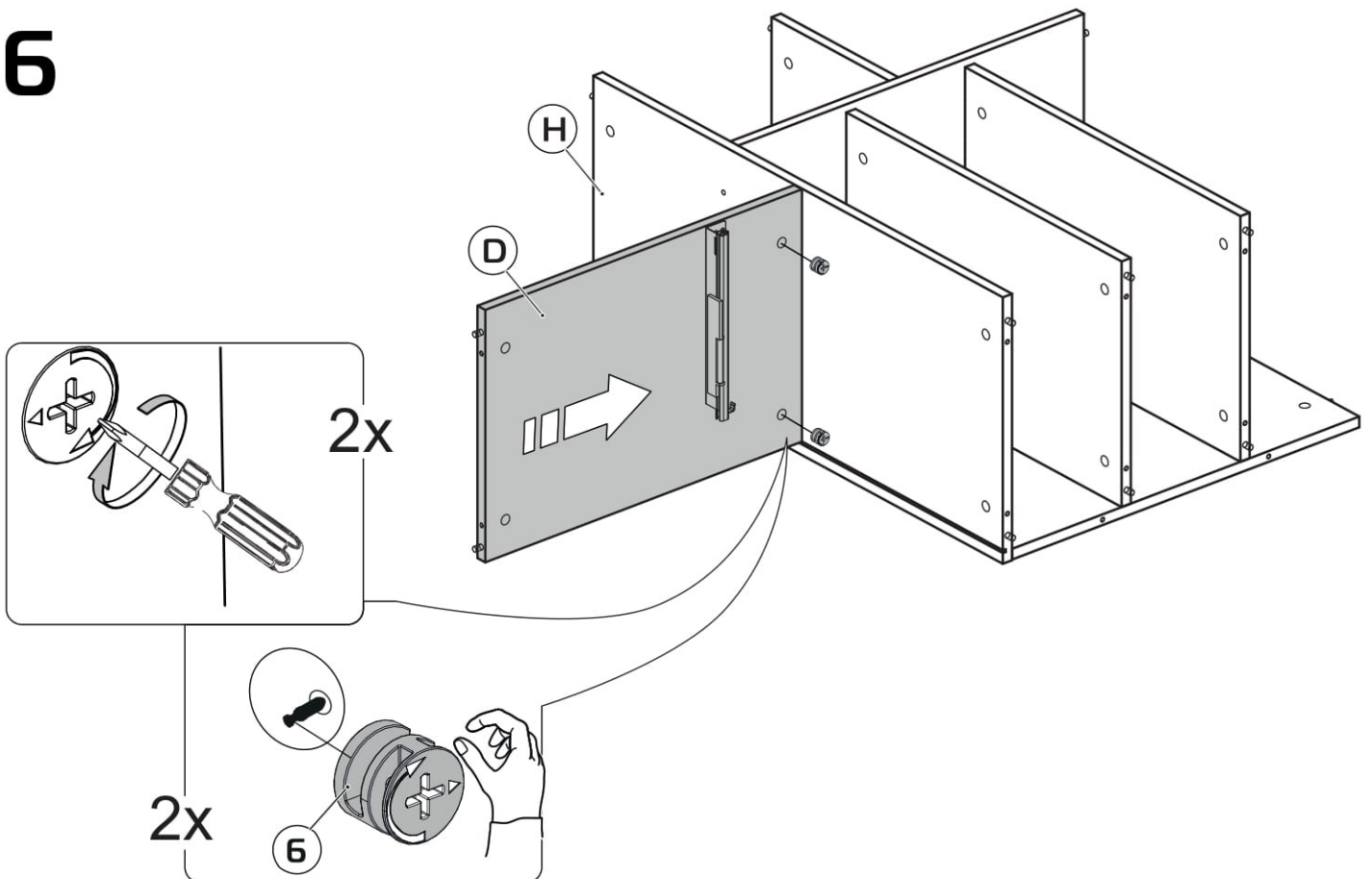
# 14



# 15

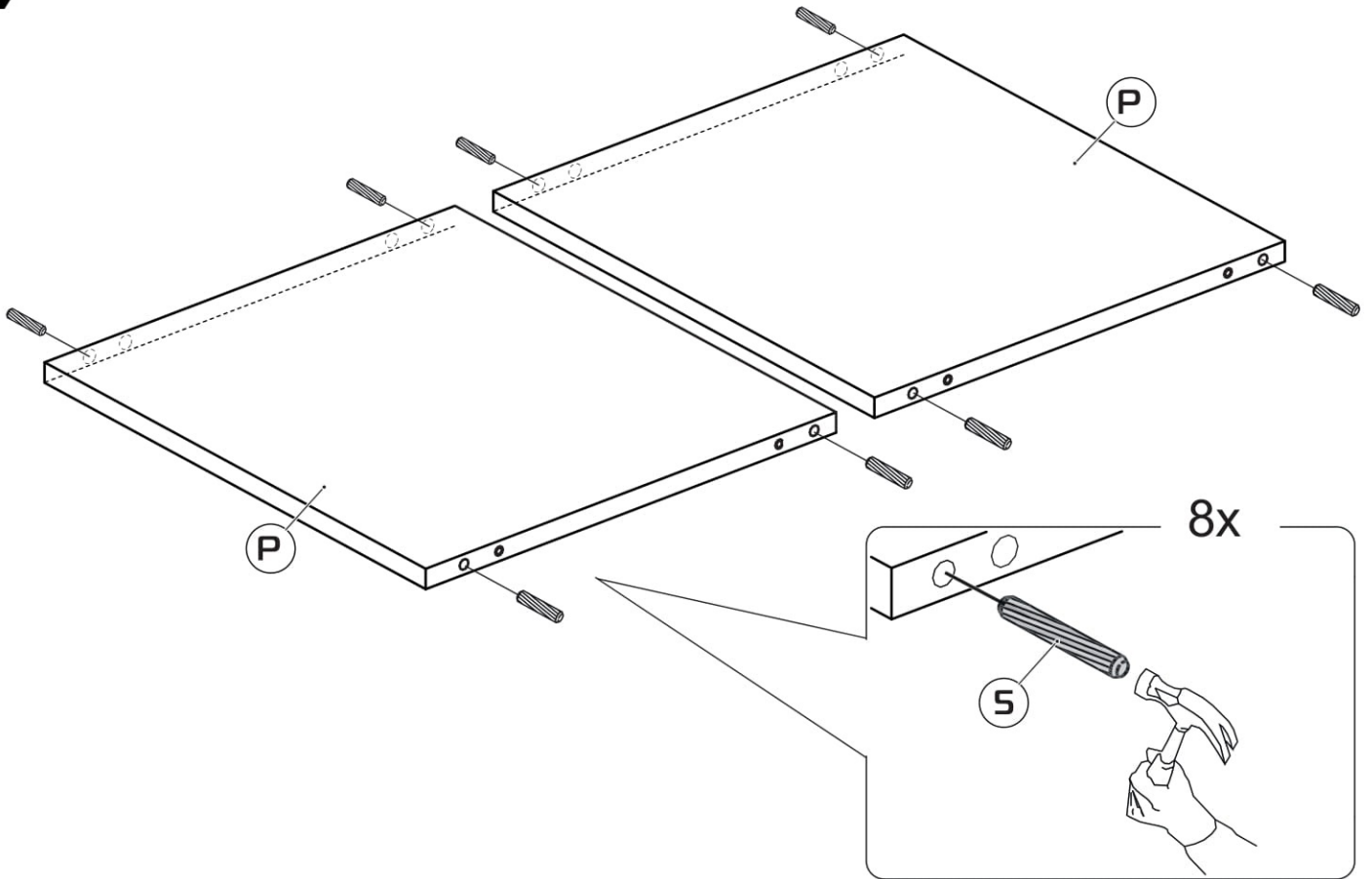


# 16

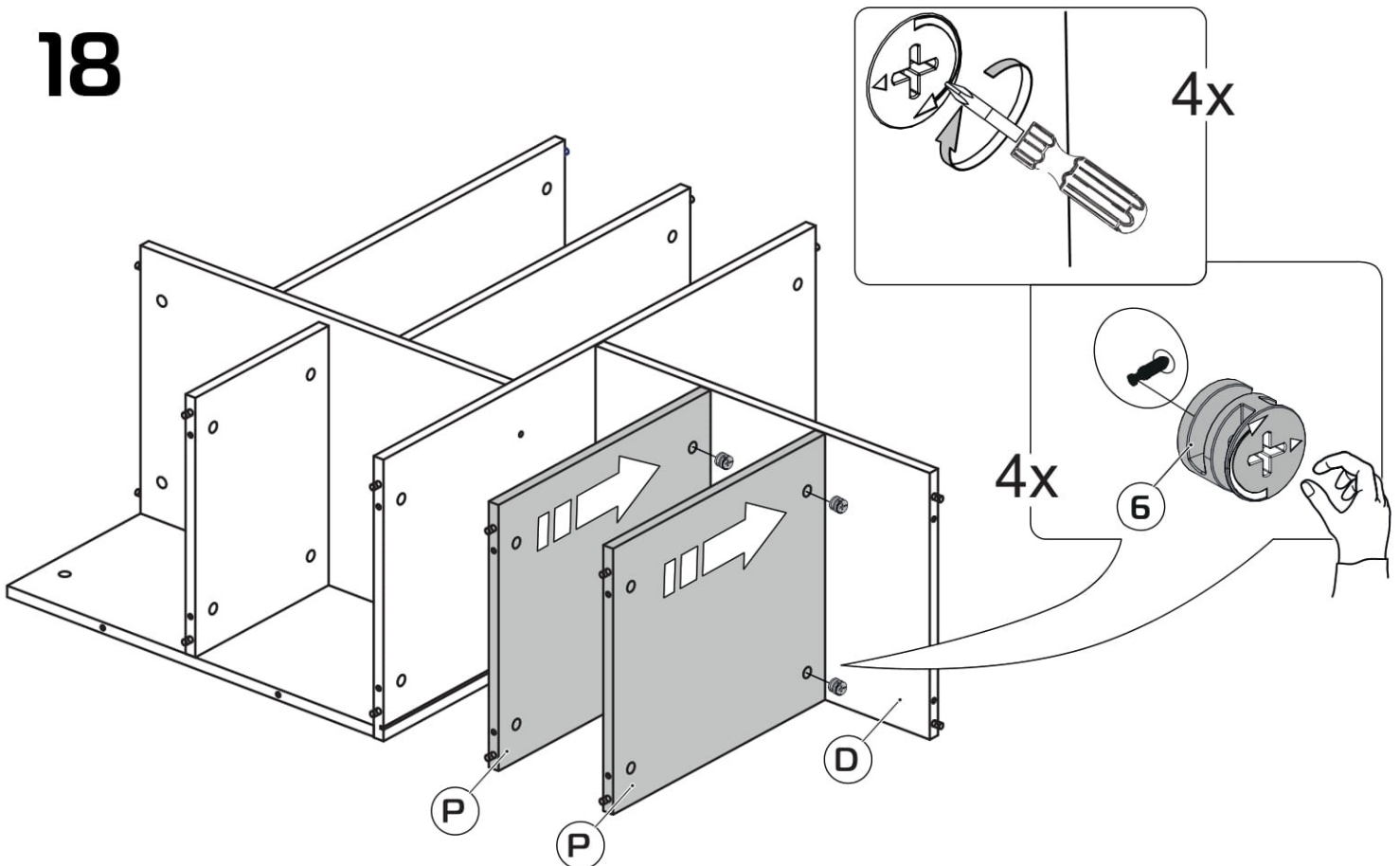




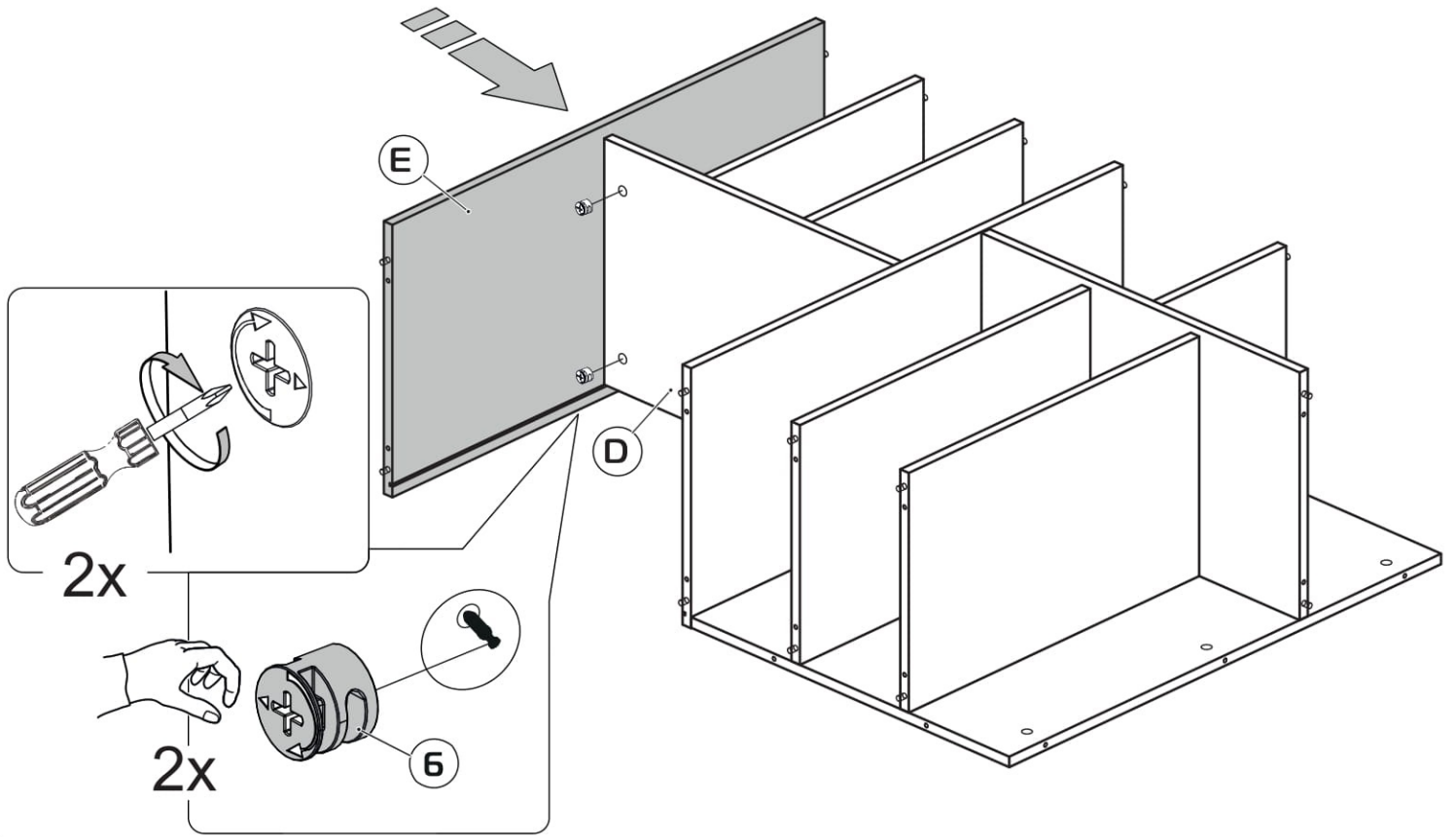
# 17



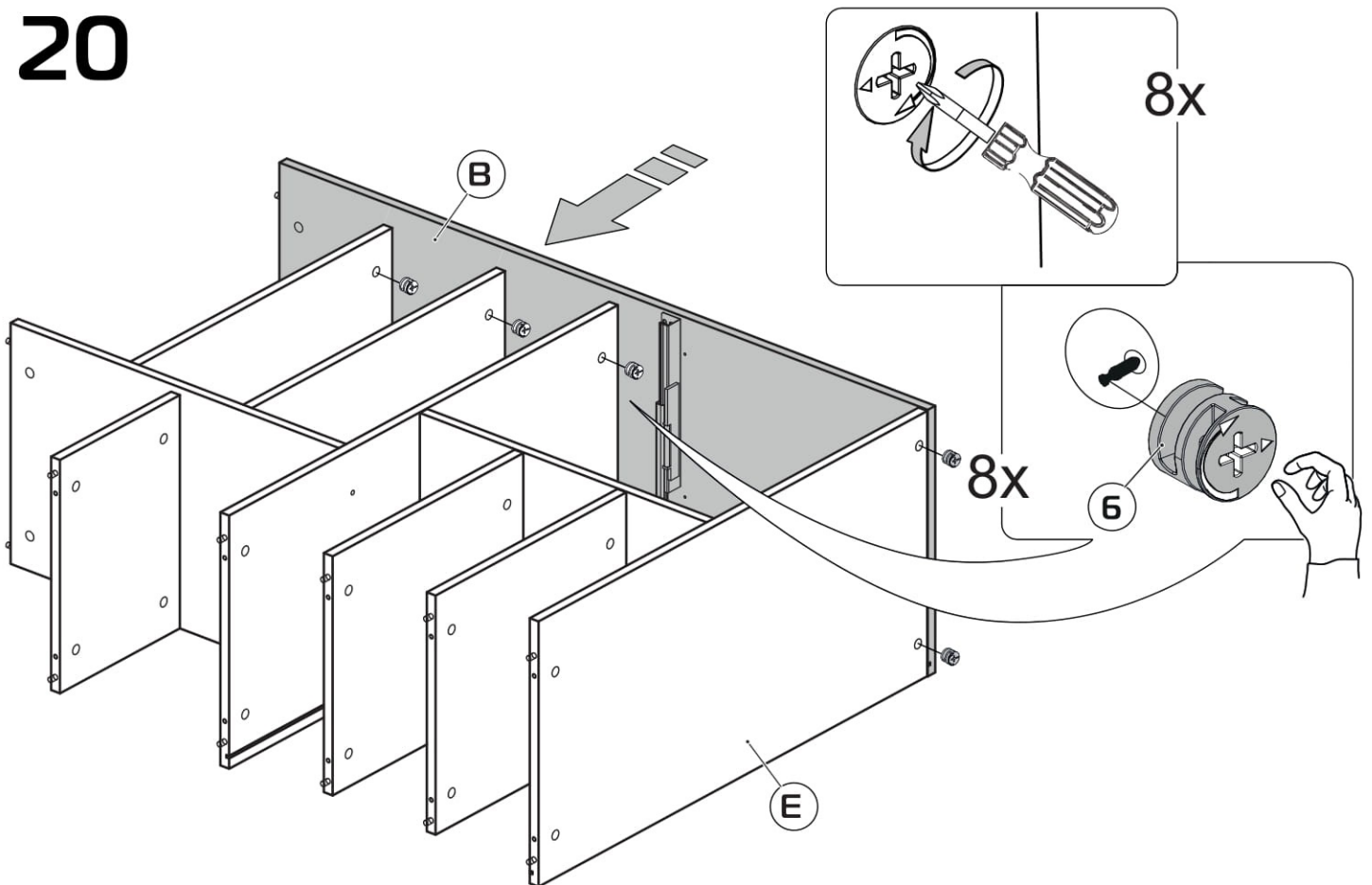
# 18



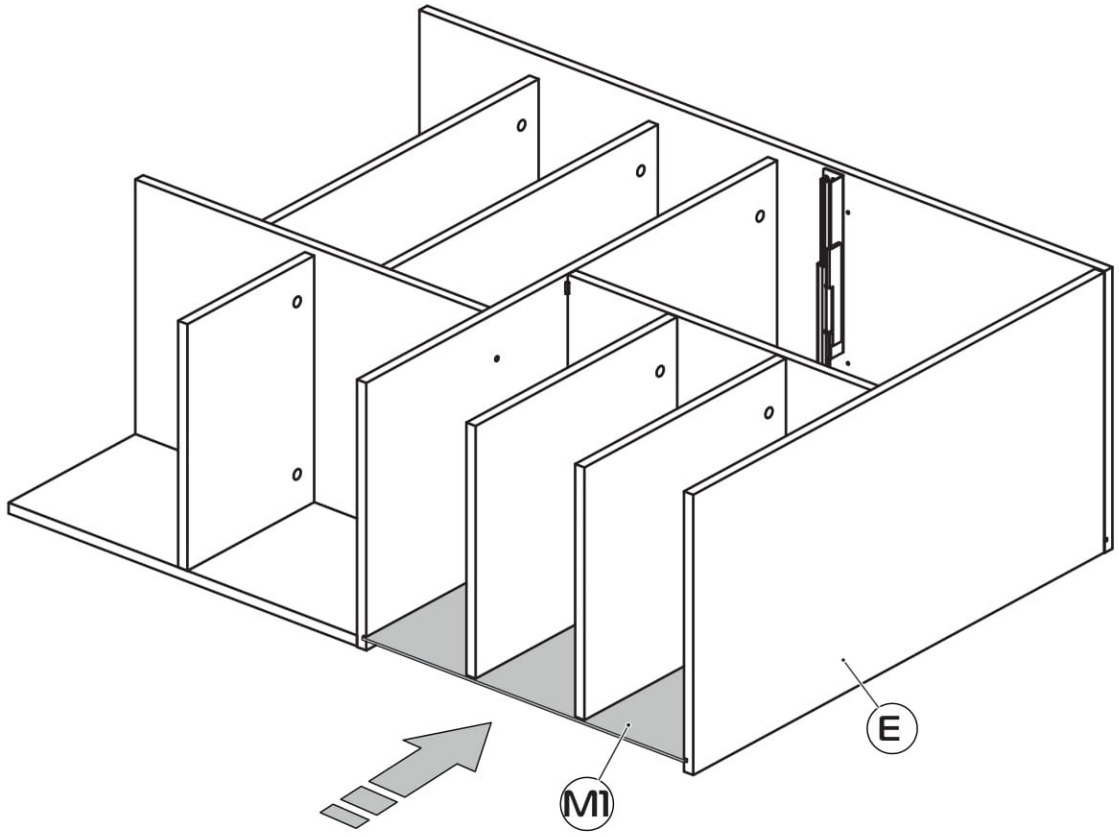
# 19



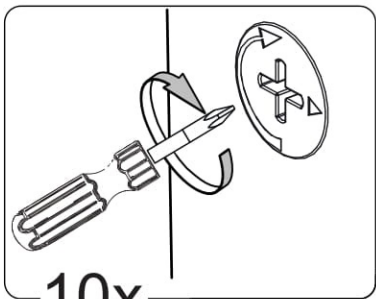
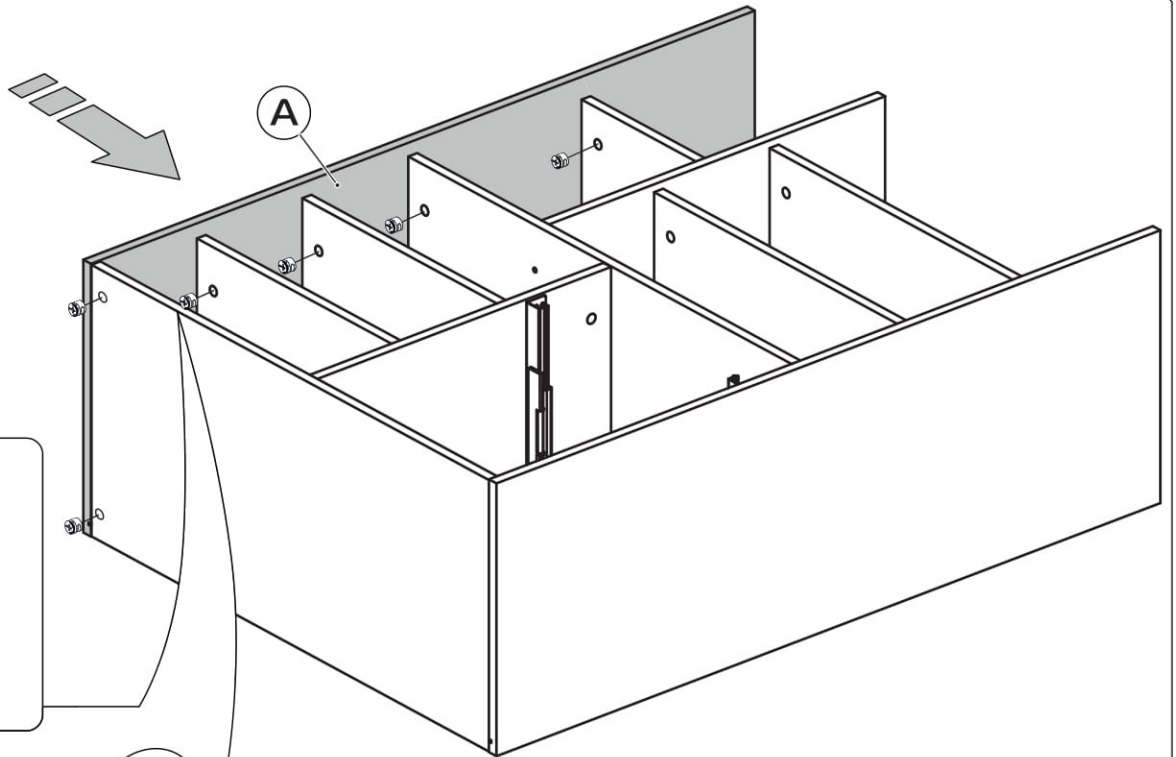
# 20



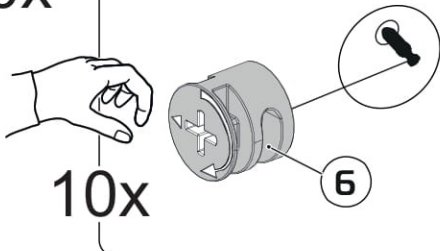
21



22



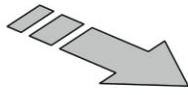
10x



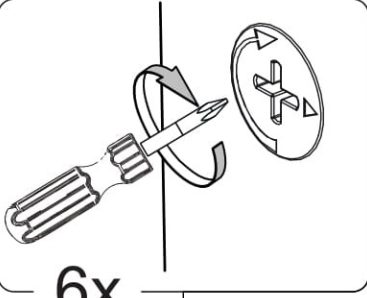
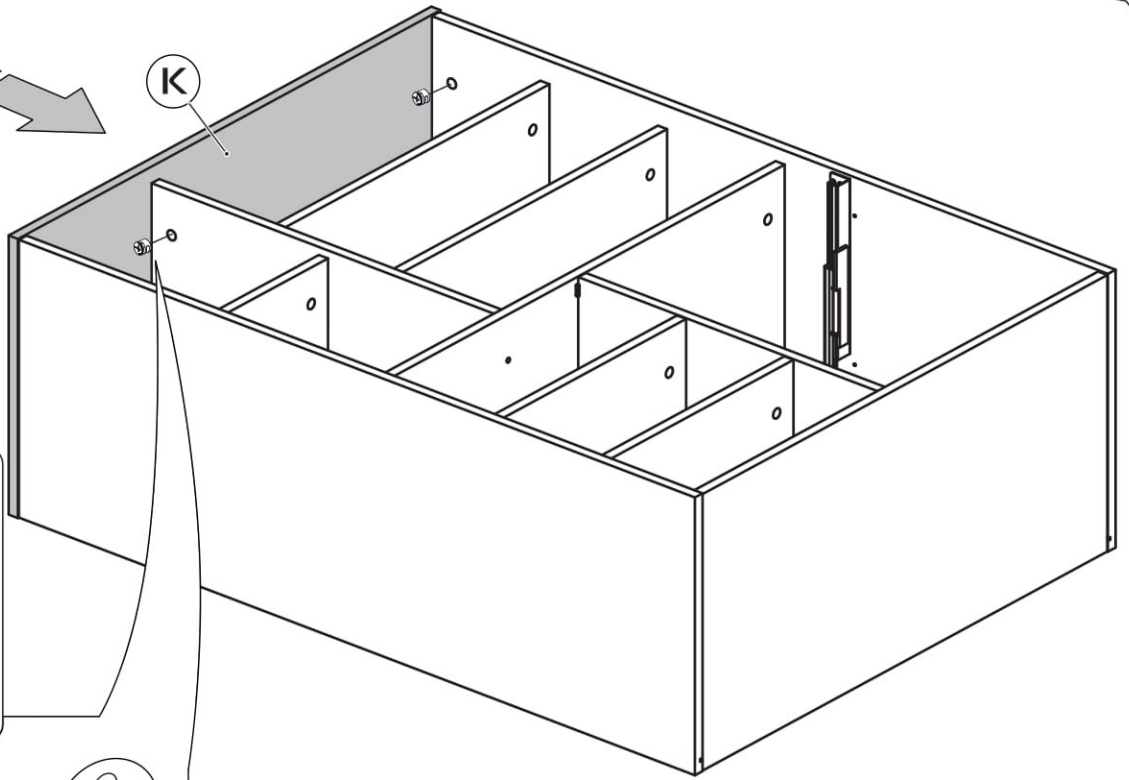
10x

6

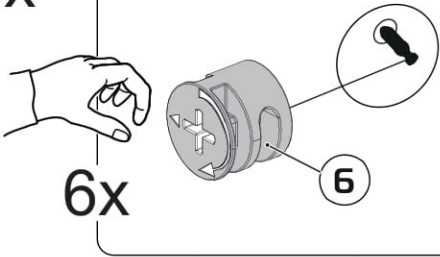
# 23



K



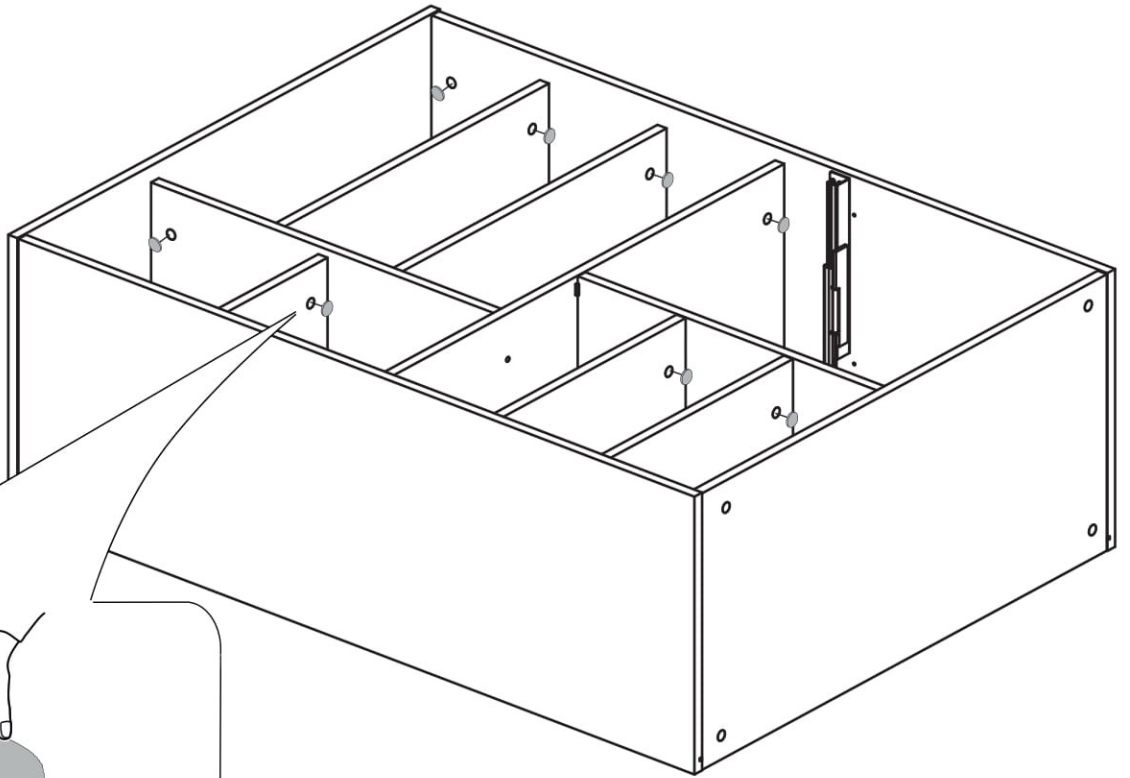
6x



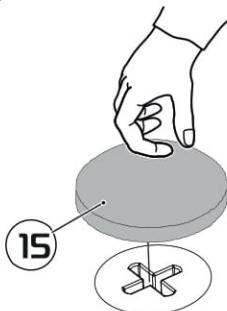
6x

6

# 24



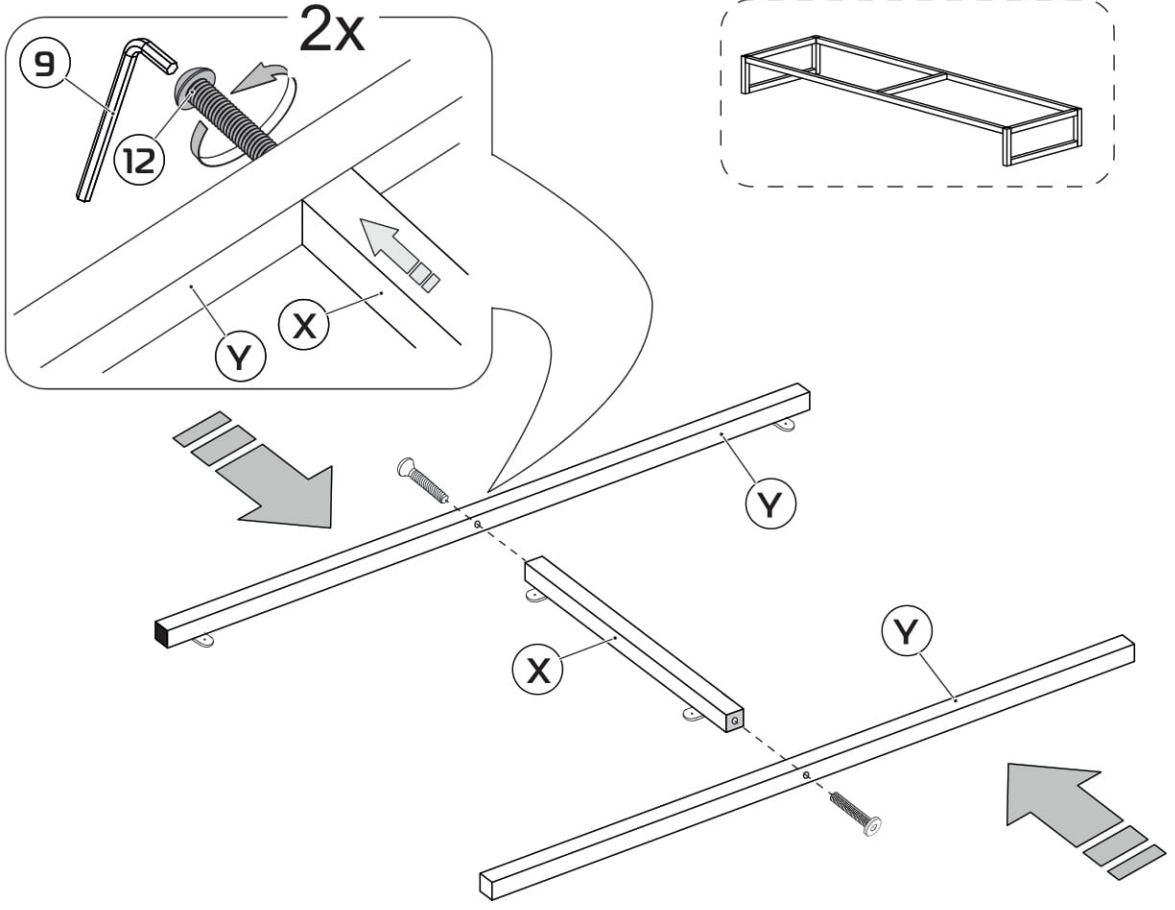
34x



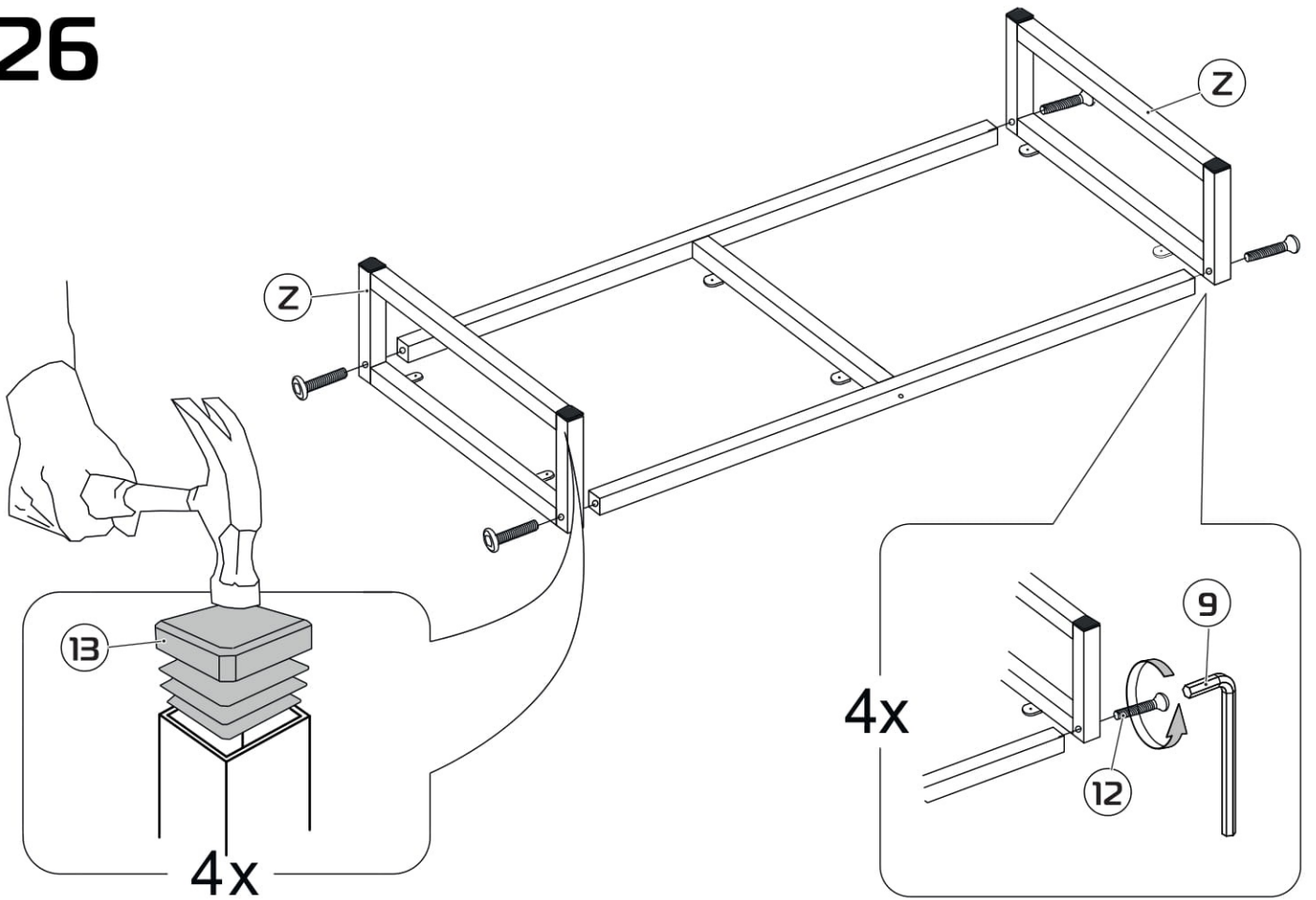
15



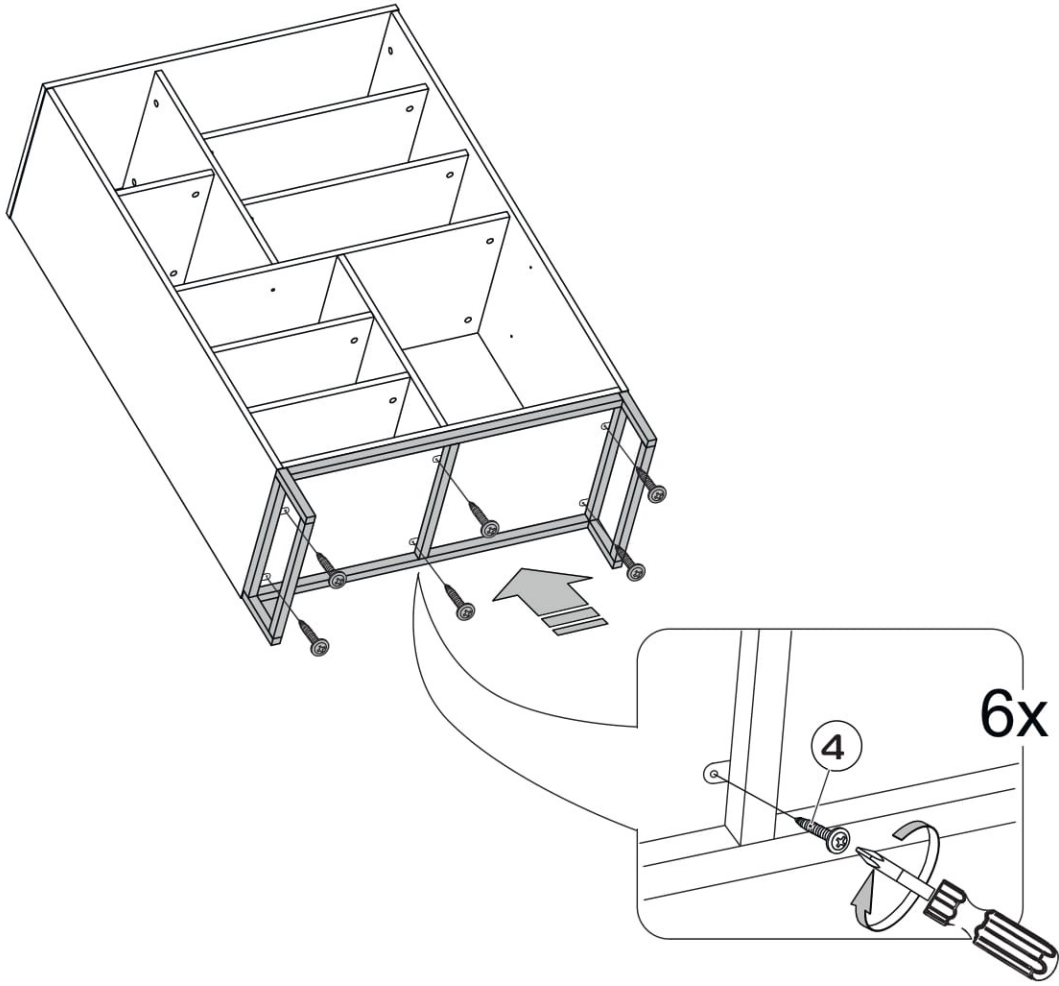
# 25



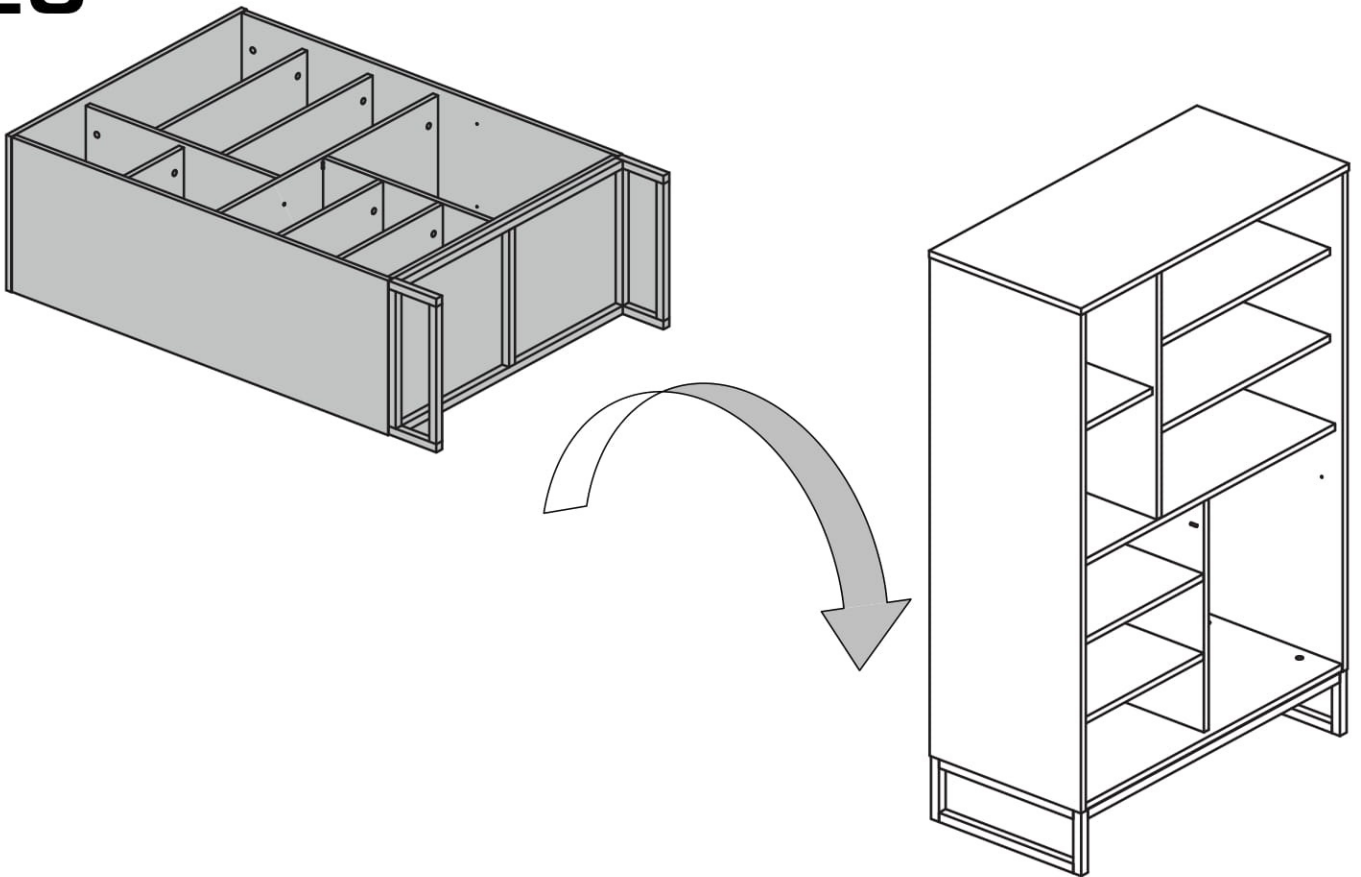
# 26



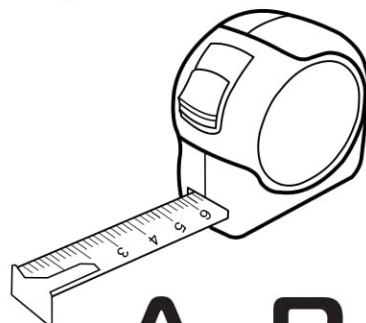
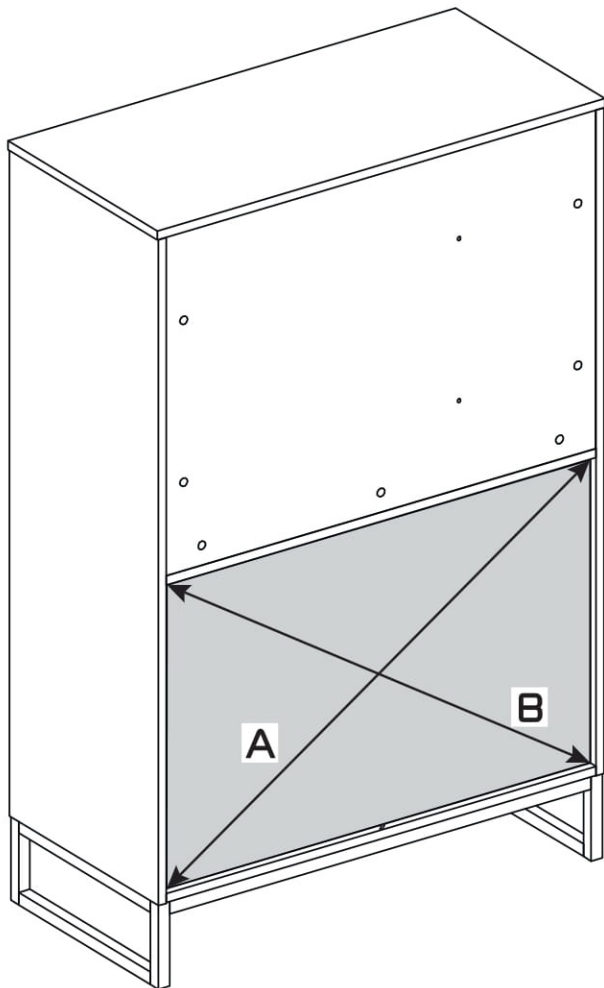
27



28

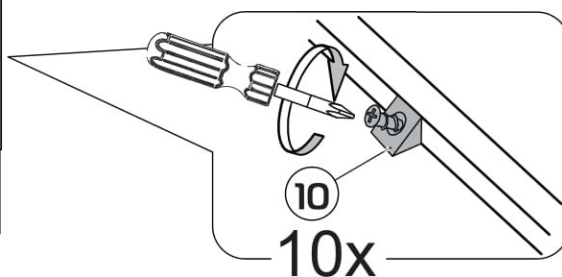
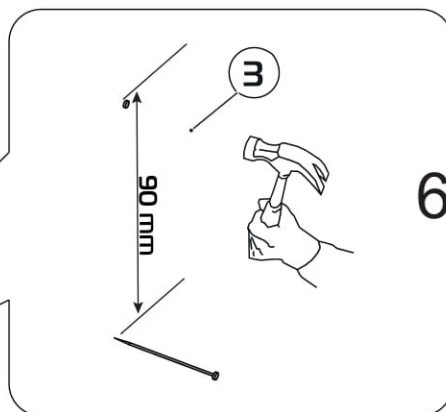
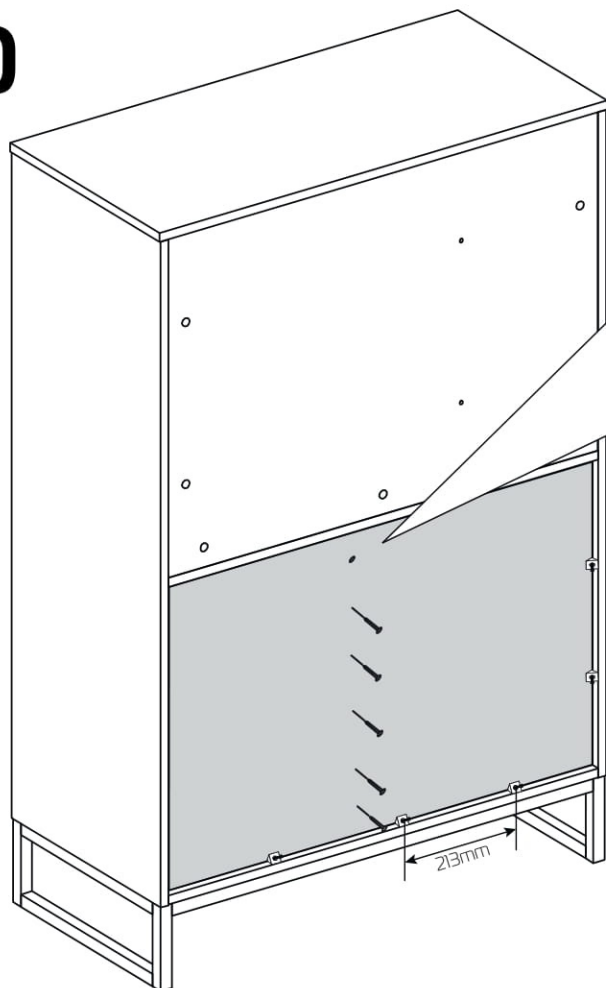


# 29

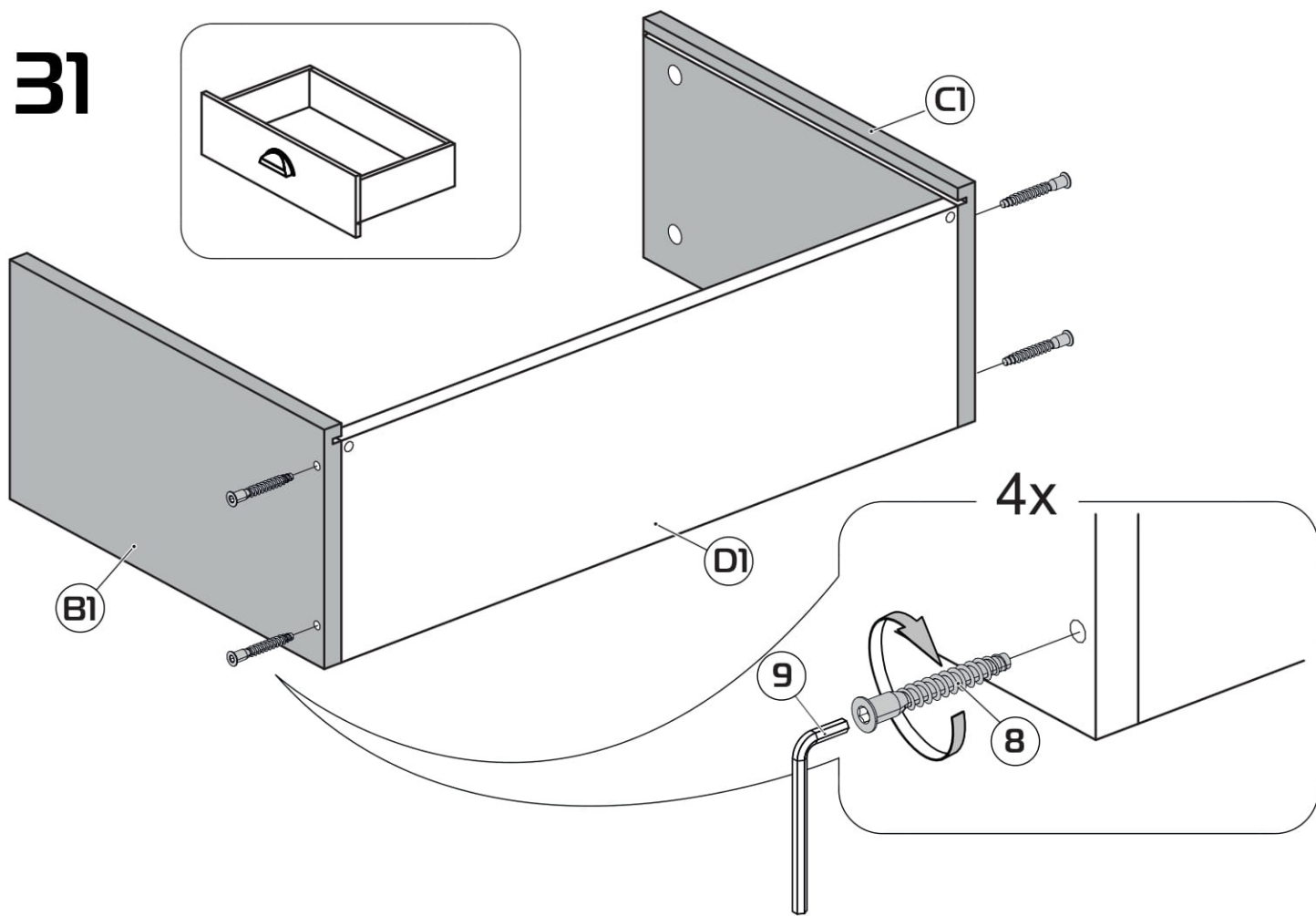
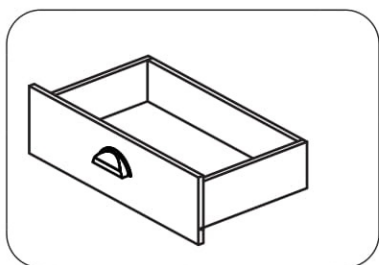


**A=B**

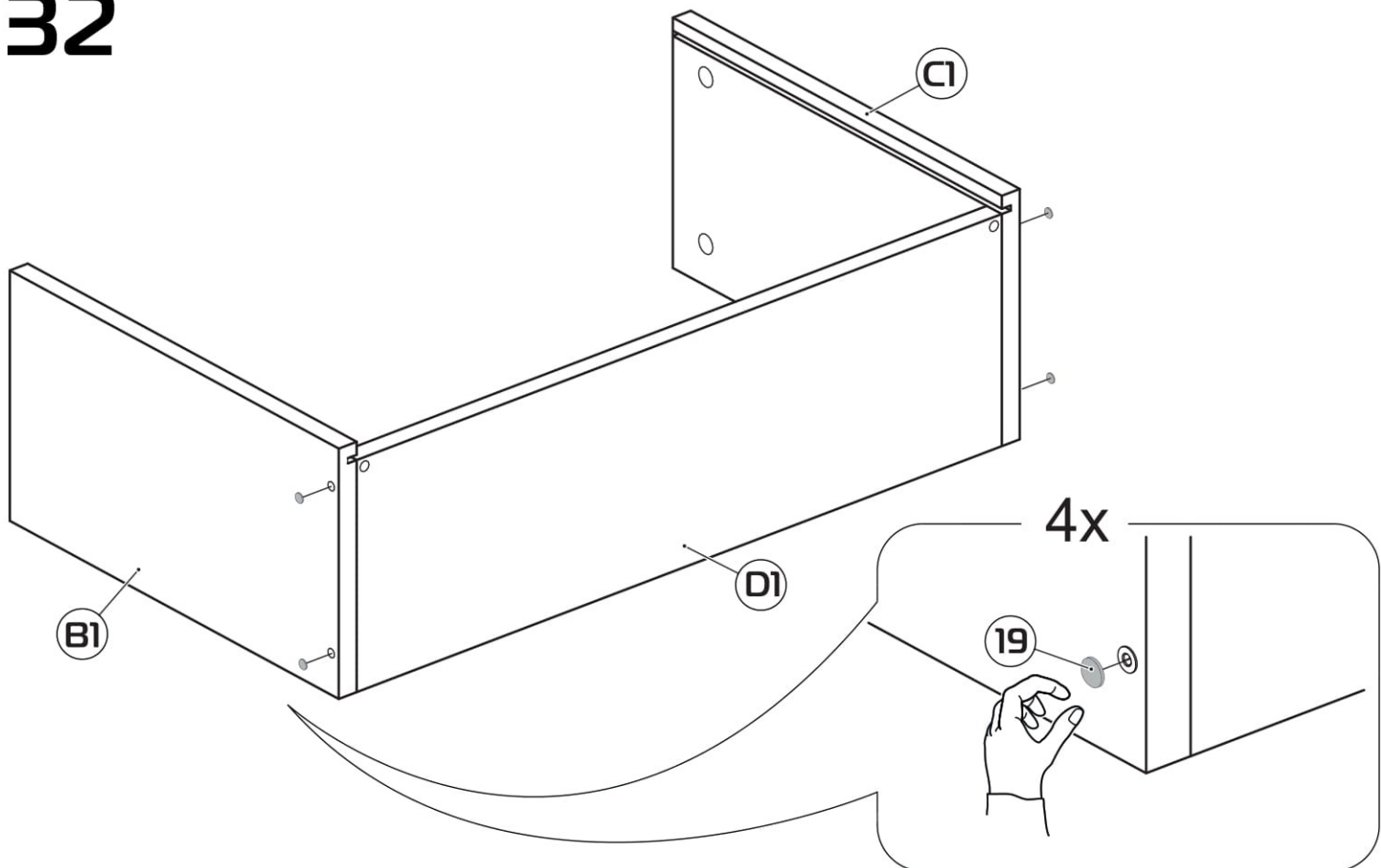
# 30



# 31

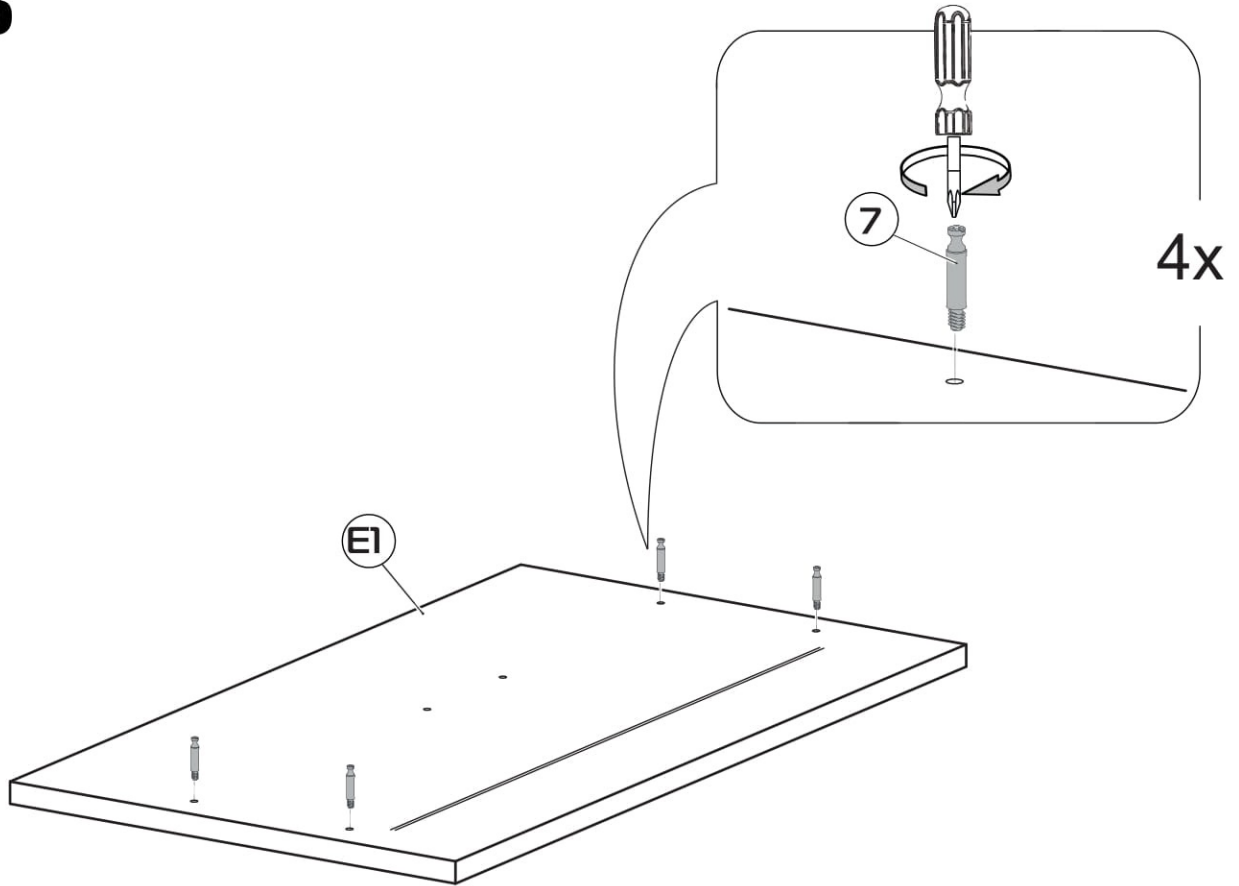


# 32

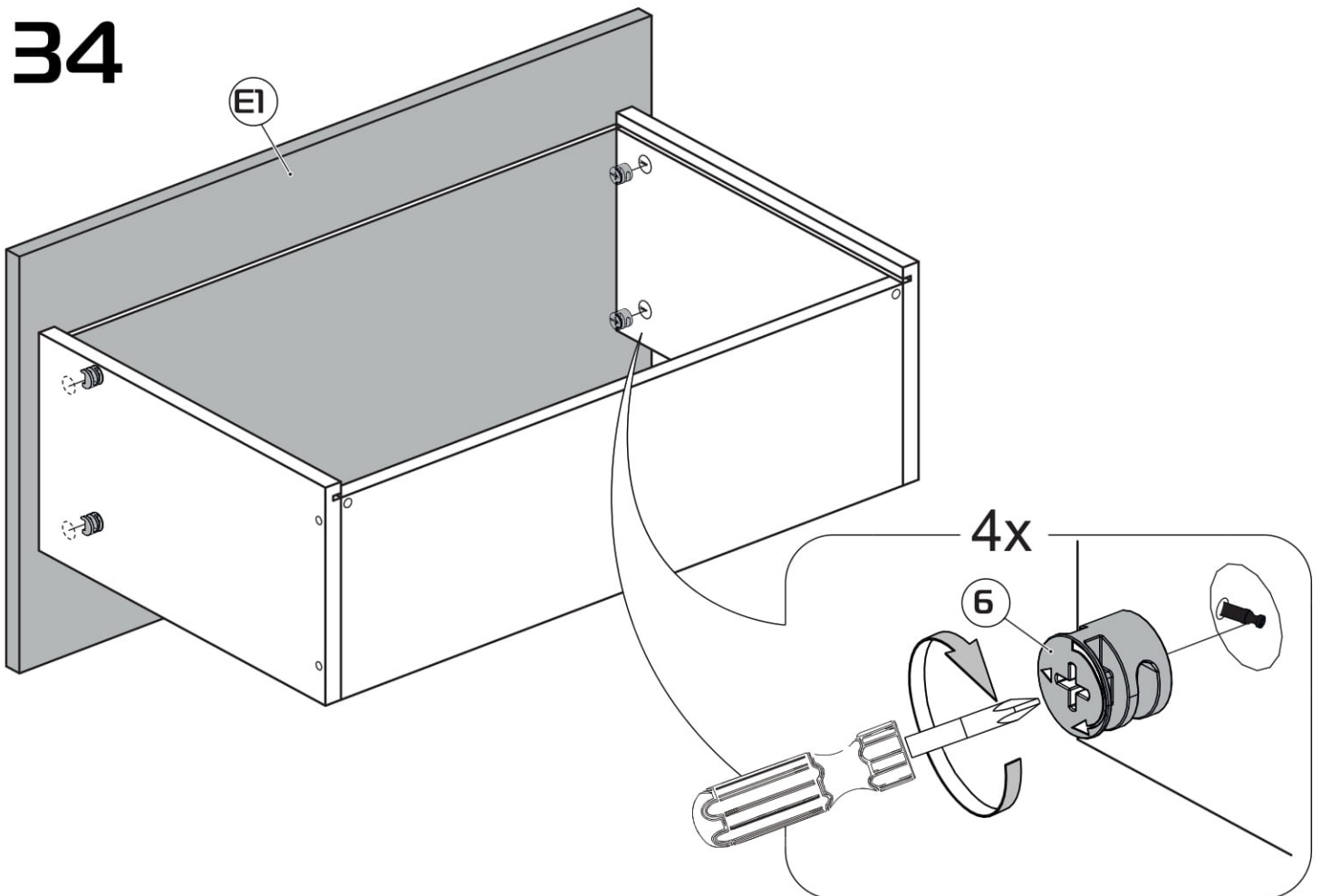




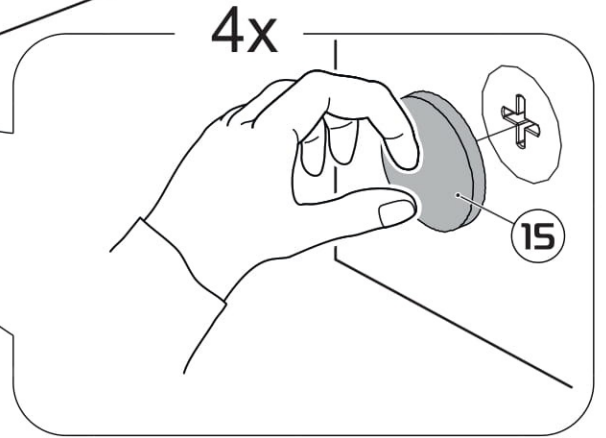
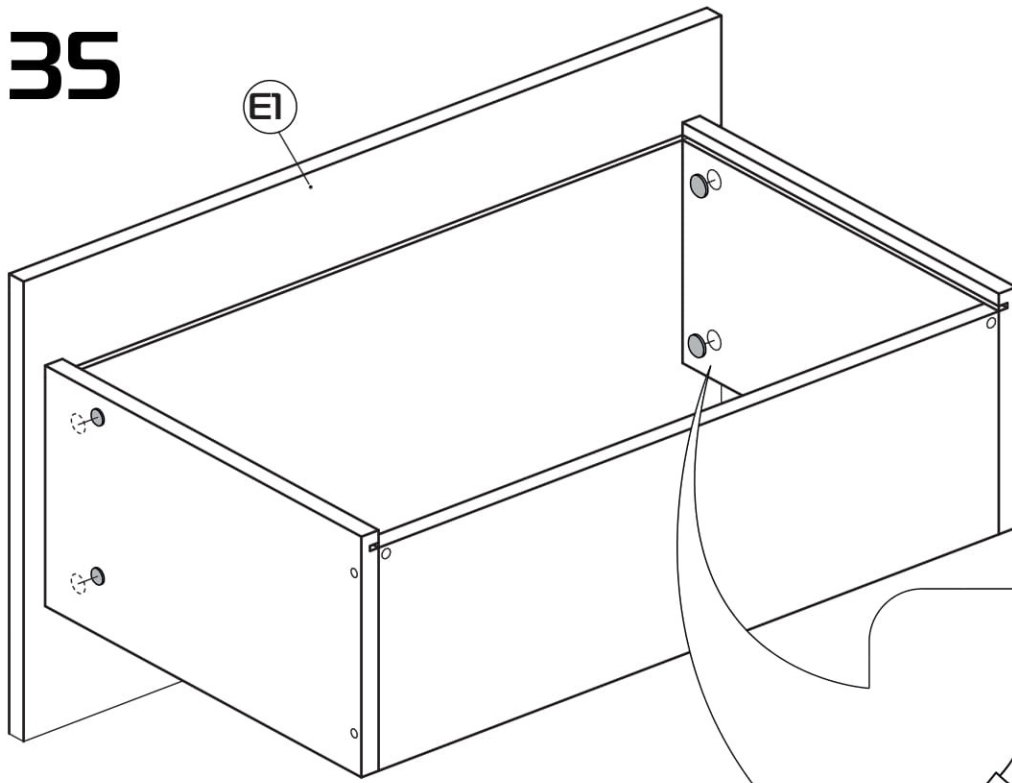
# 33



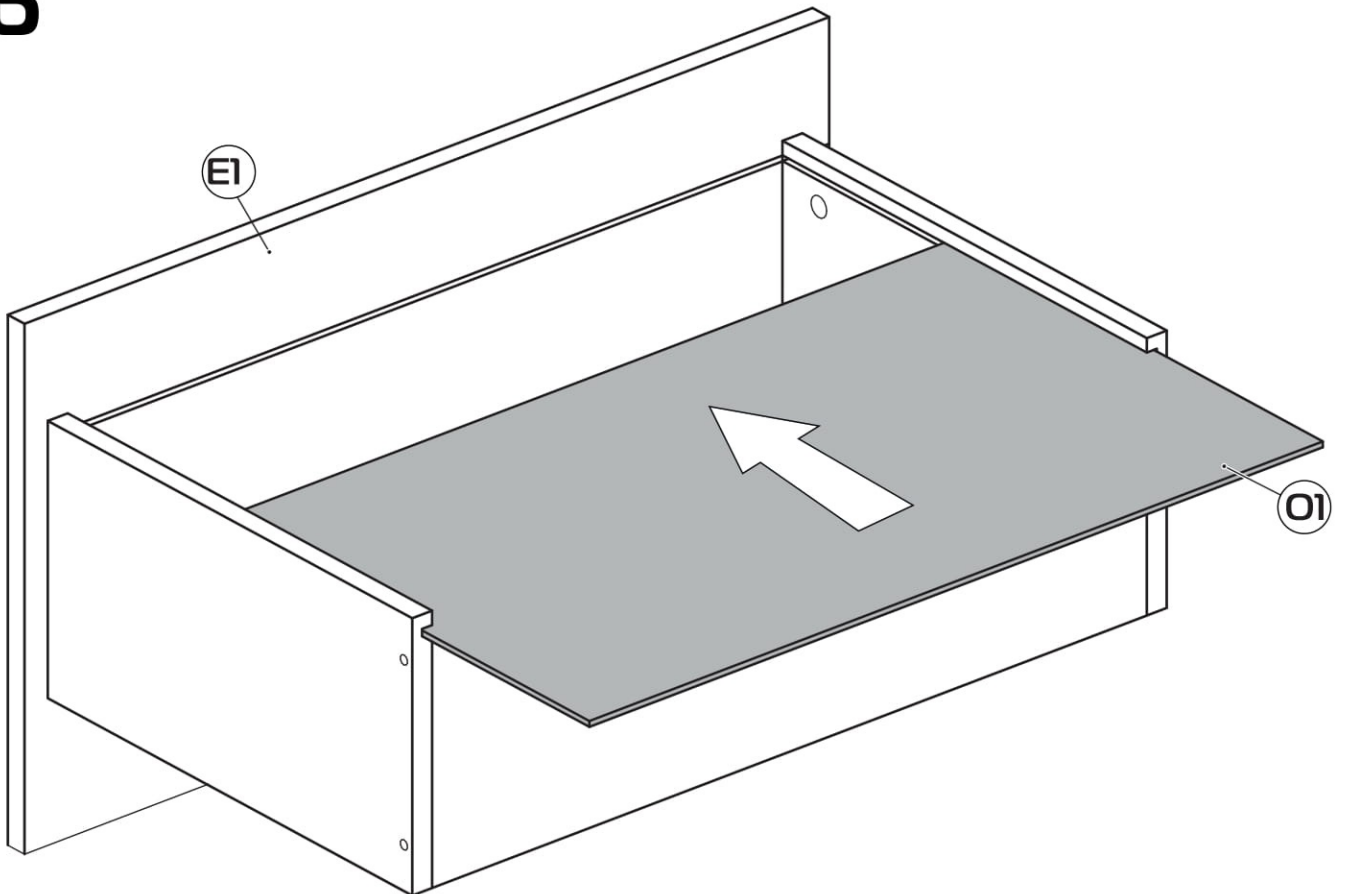
# 34



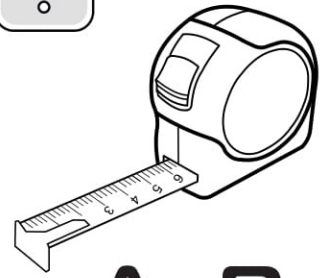
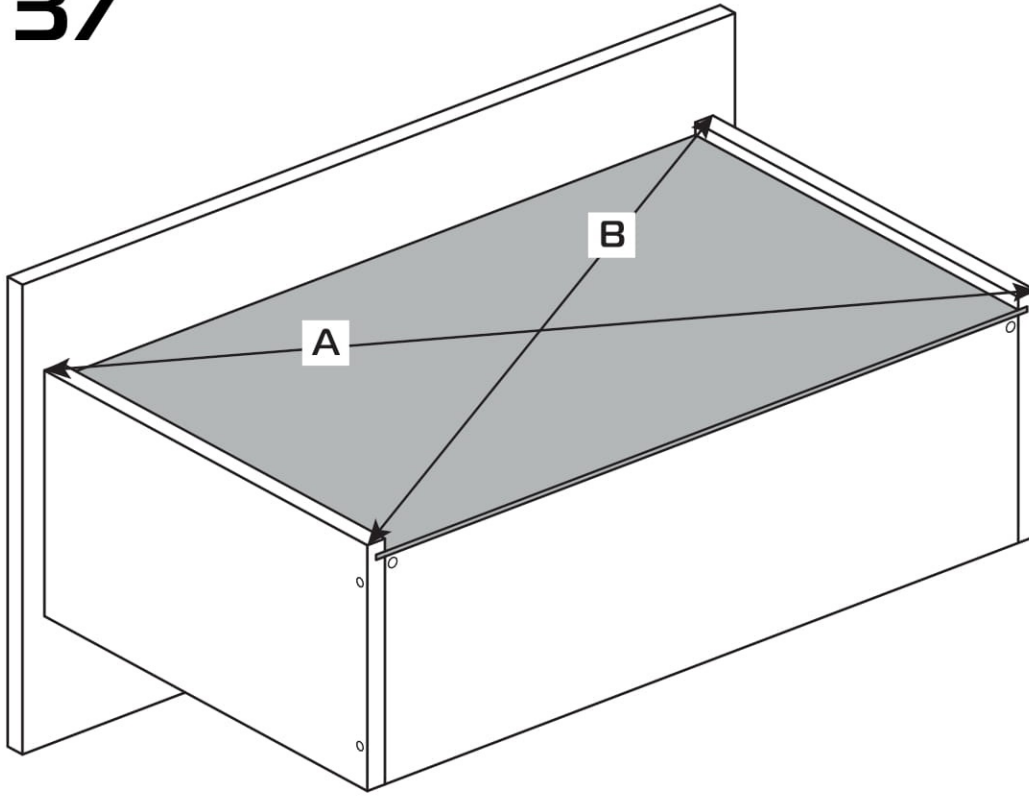
# 35



# 36

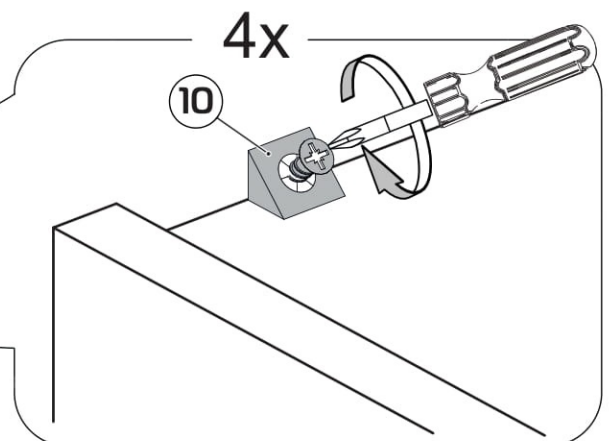
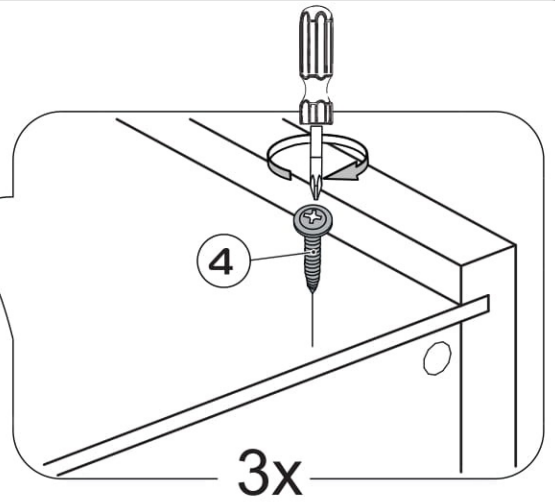
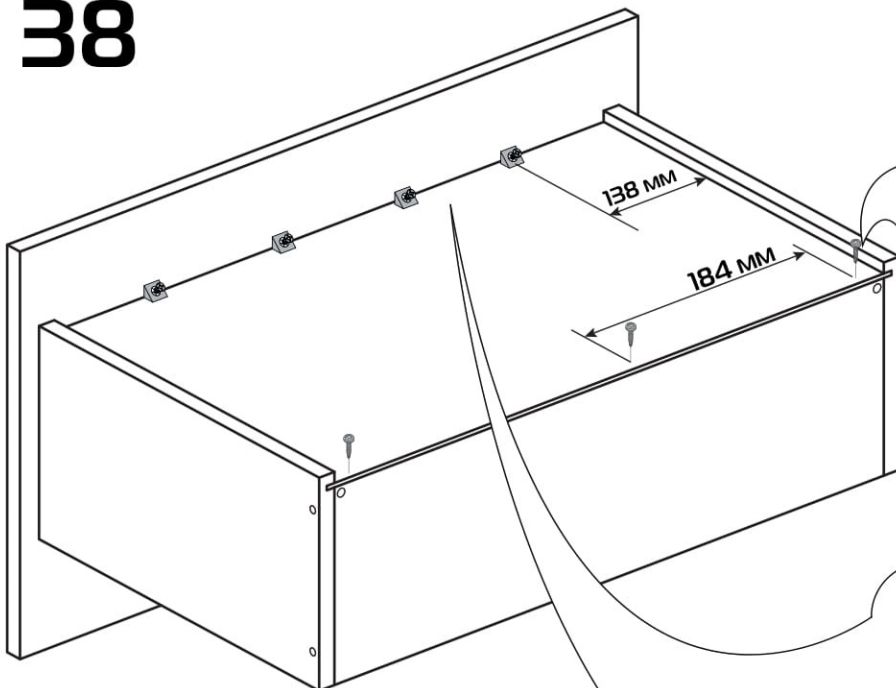


# 37

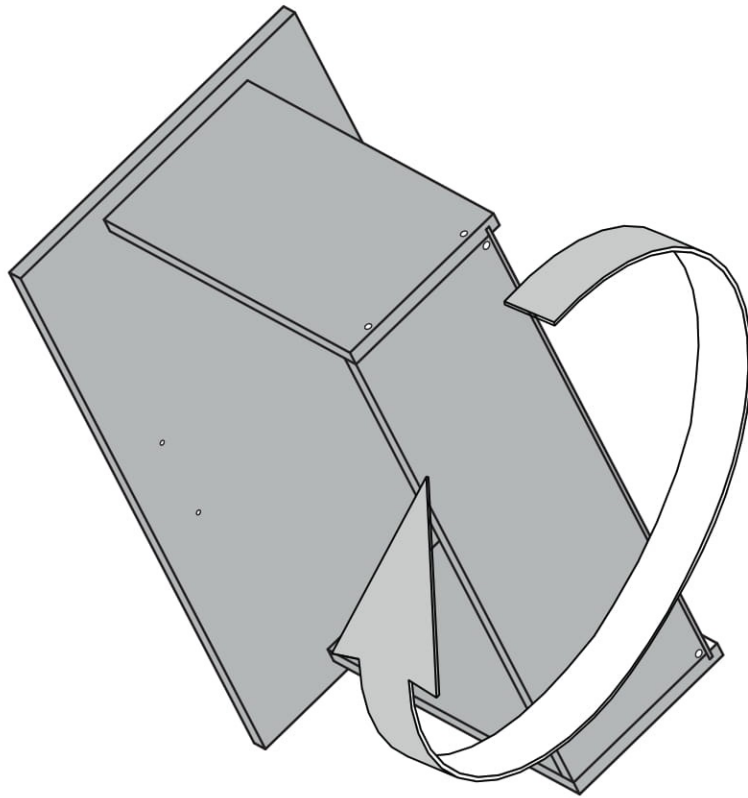


**A=B**

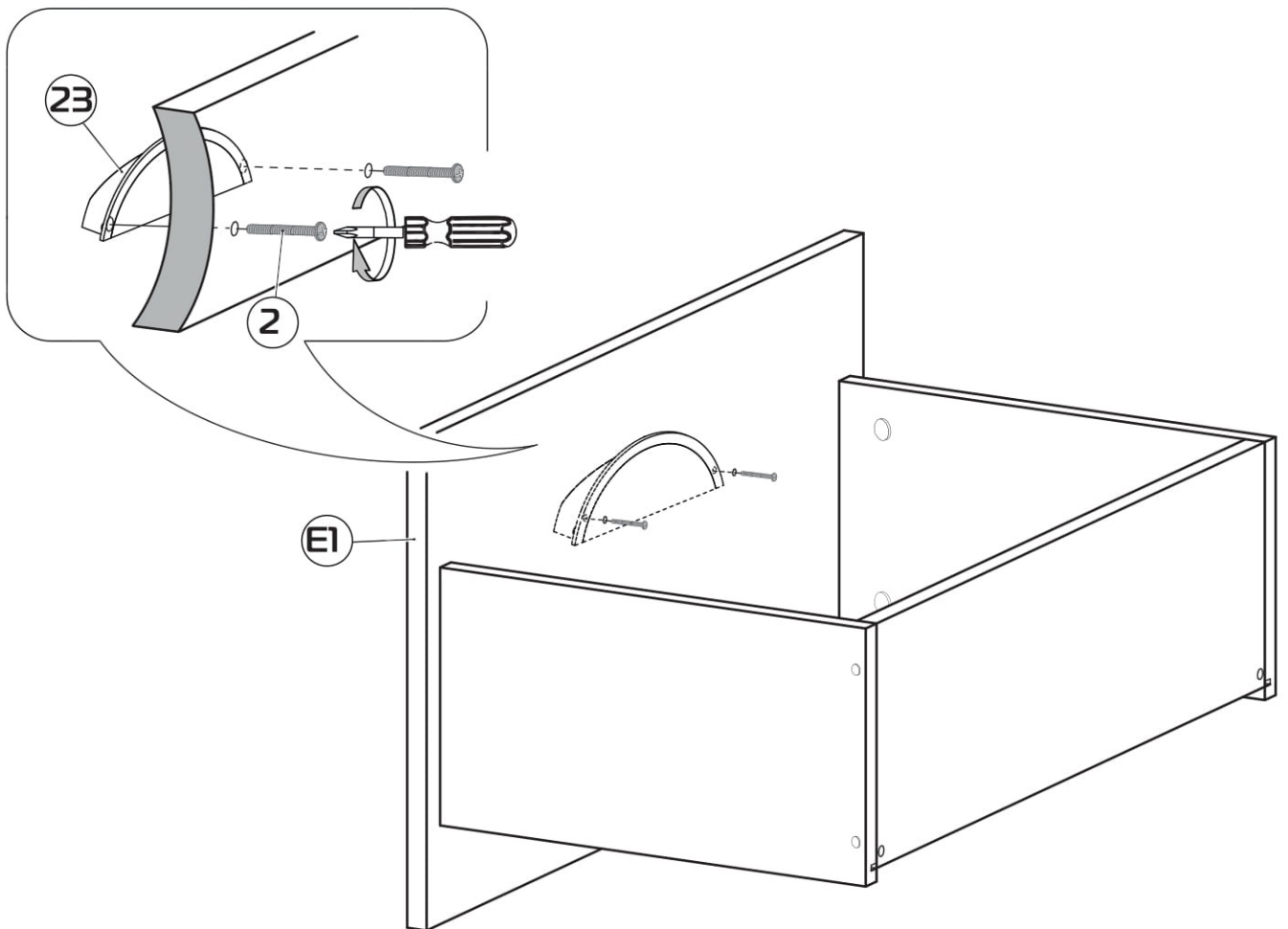
# 38



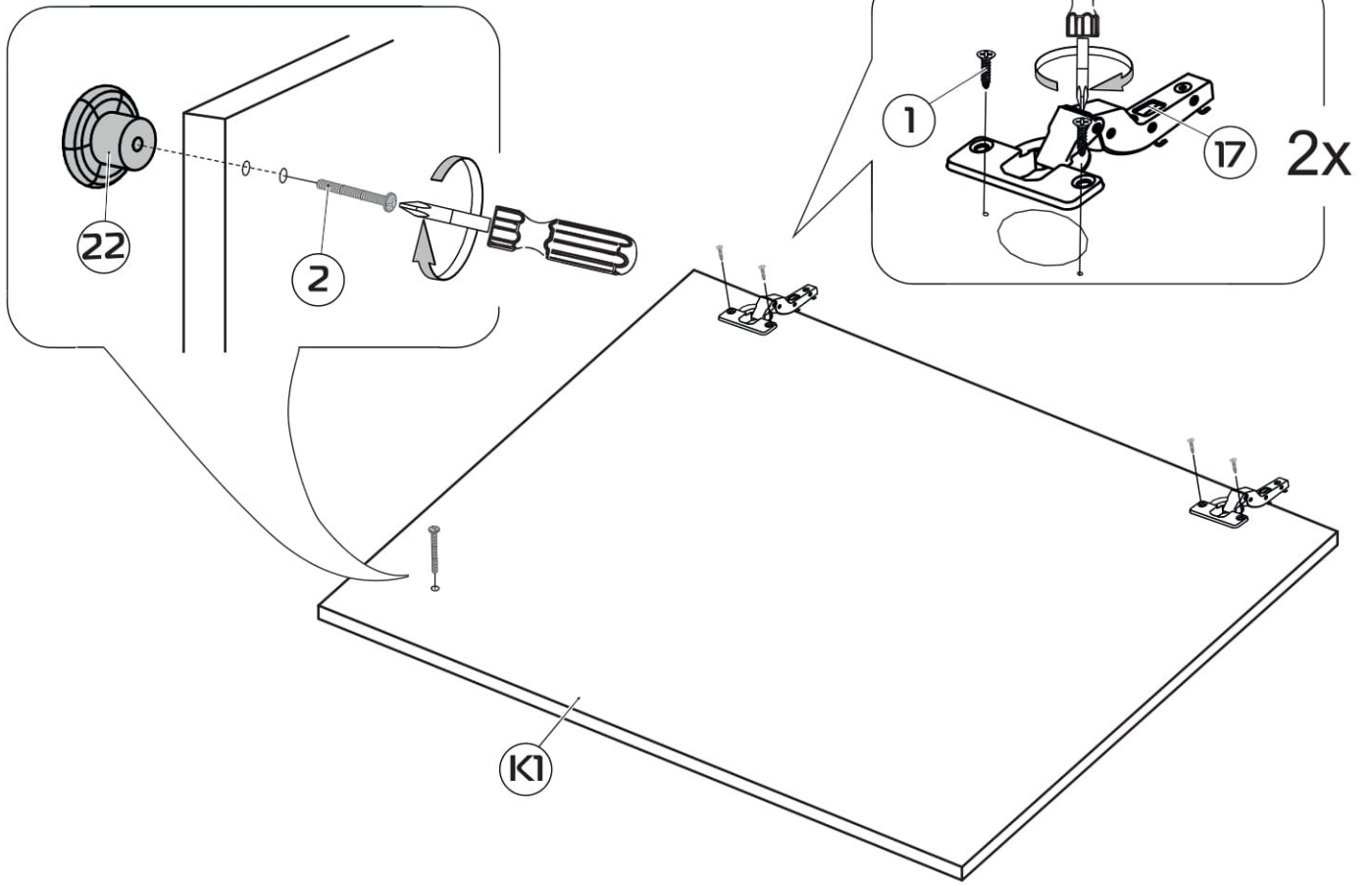
# 39



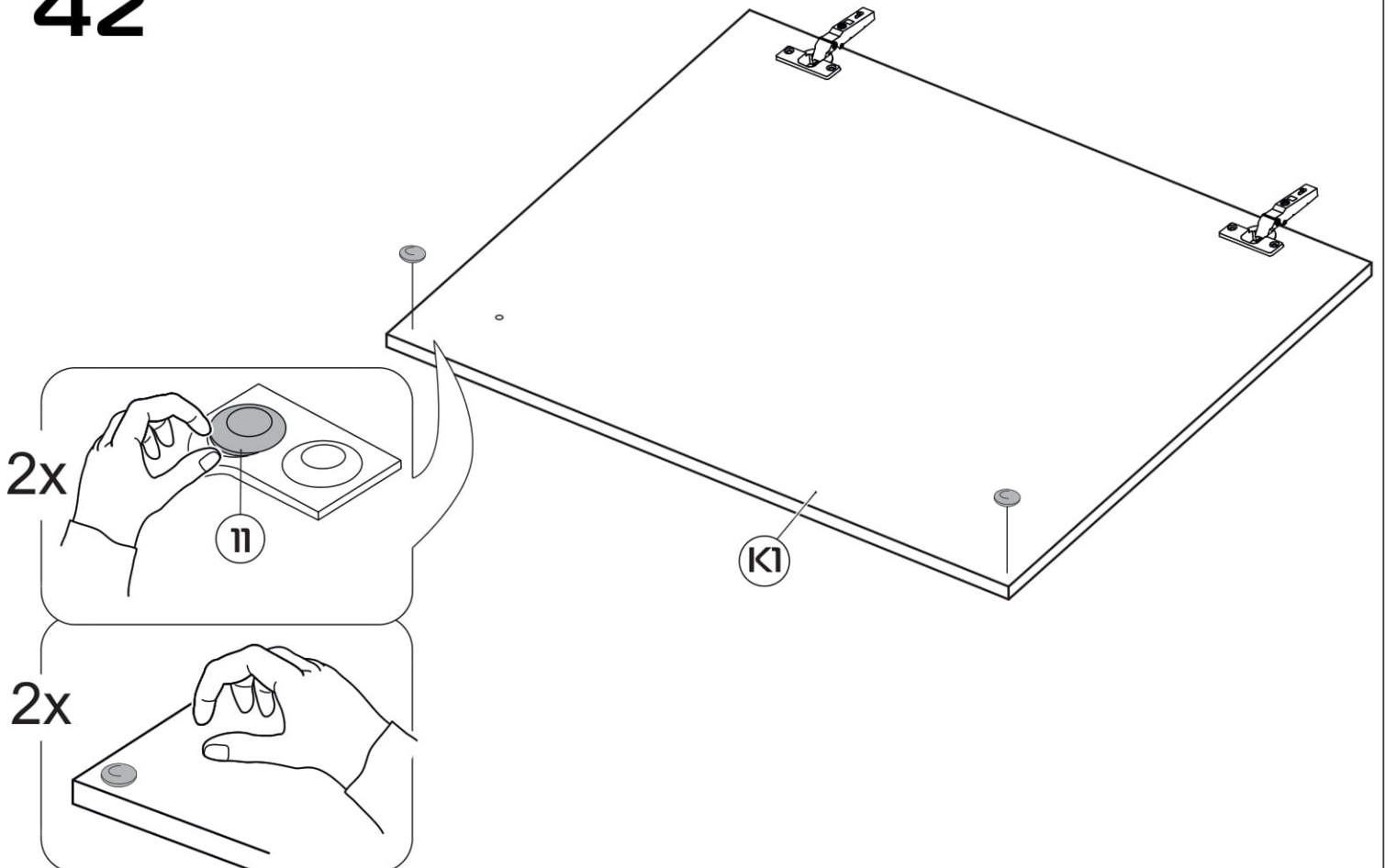
# 40



# 41

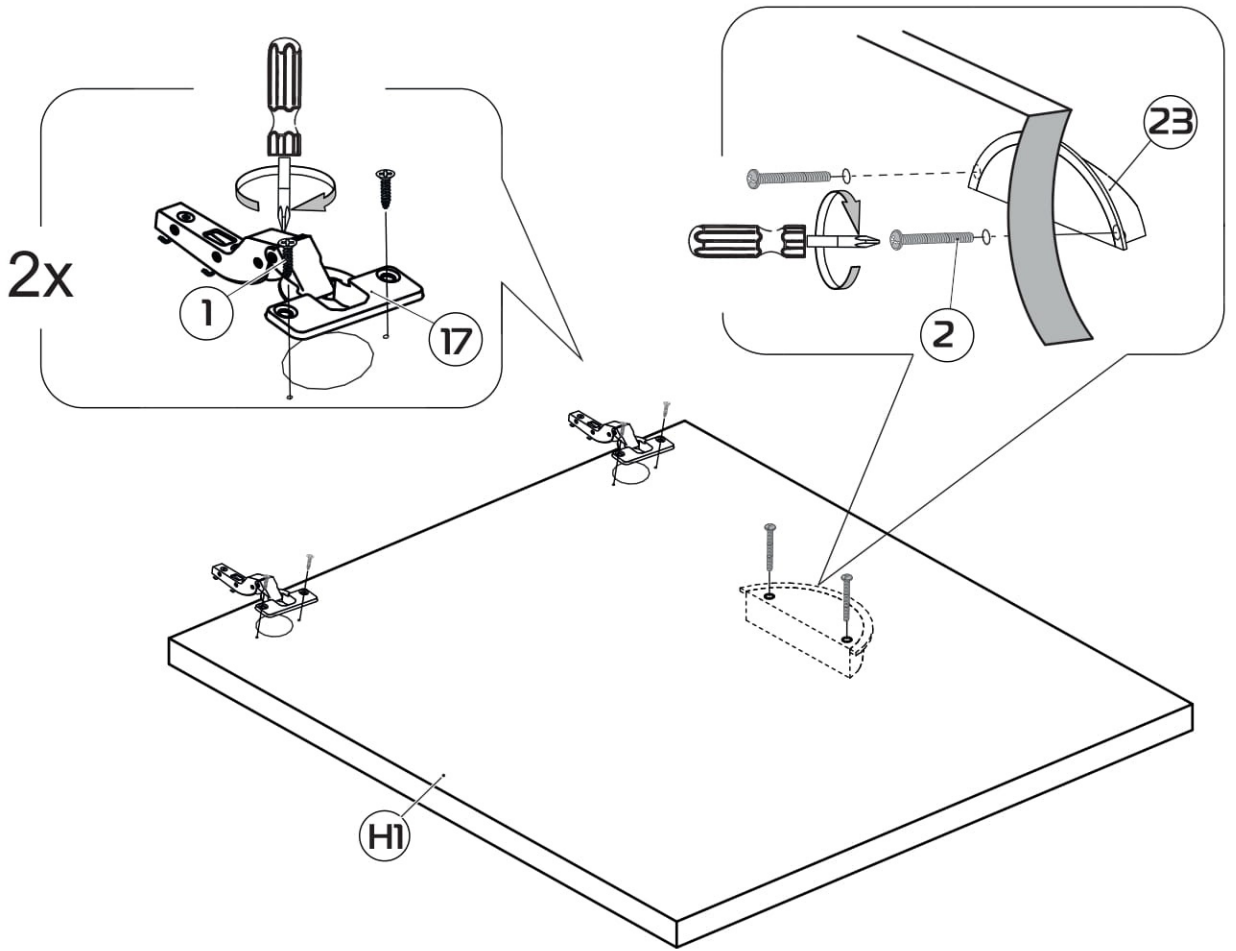


# 42

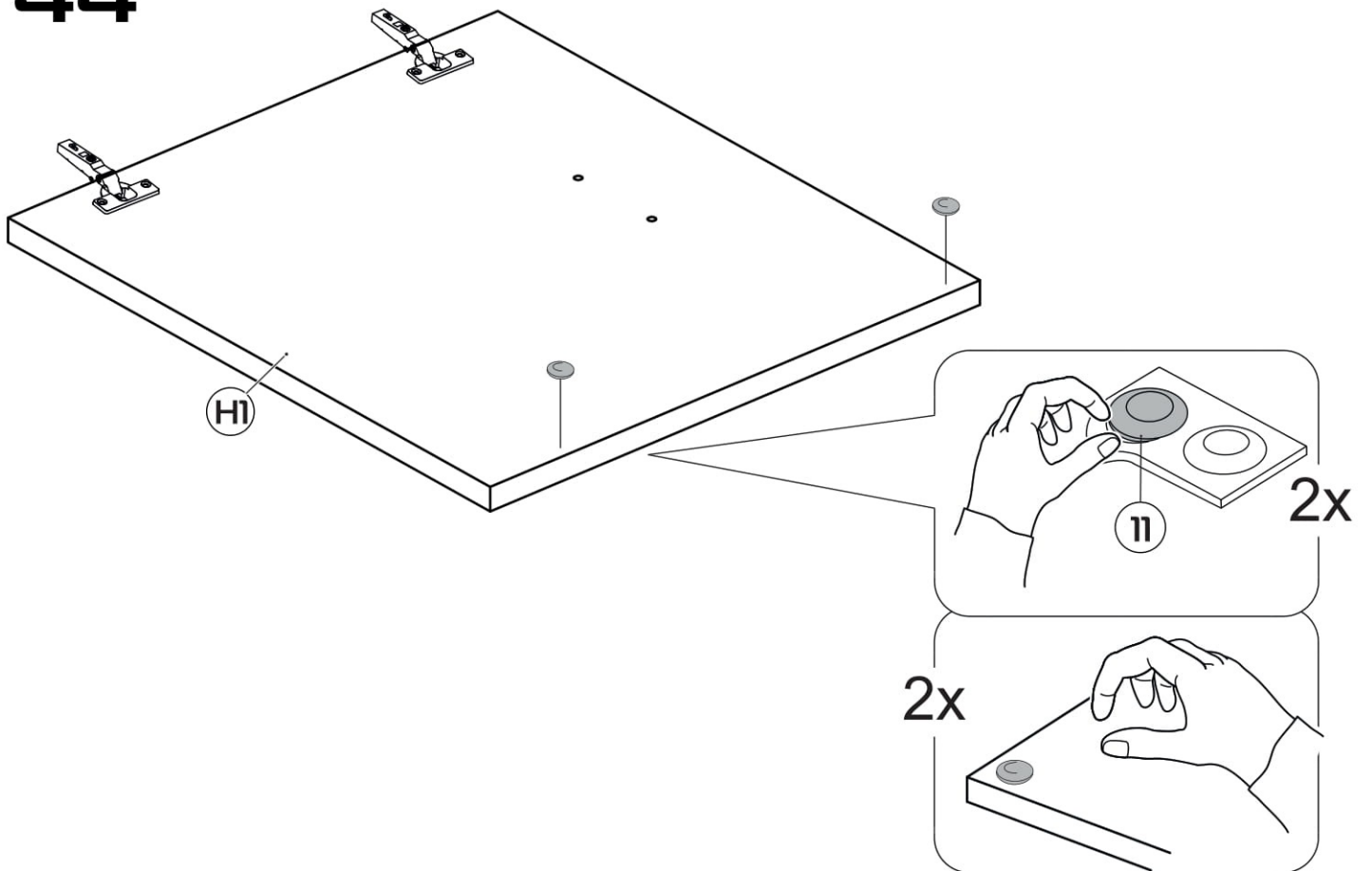




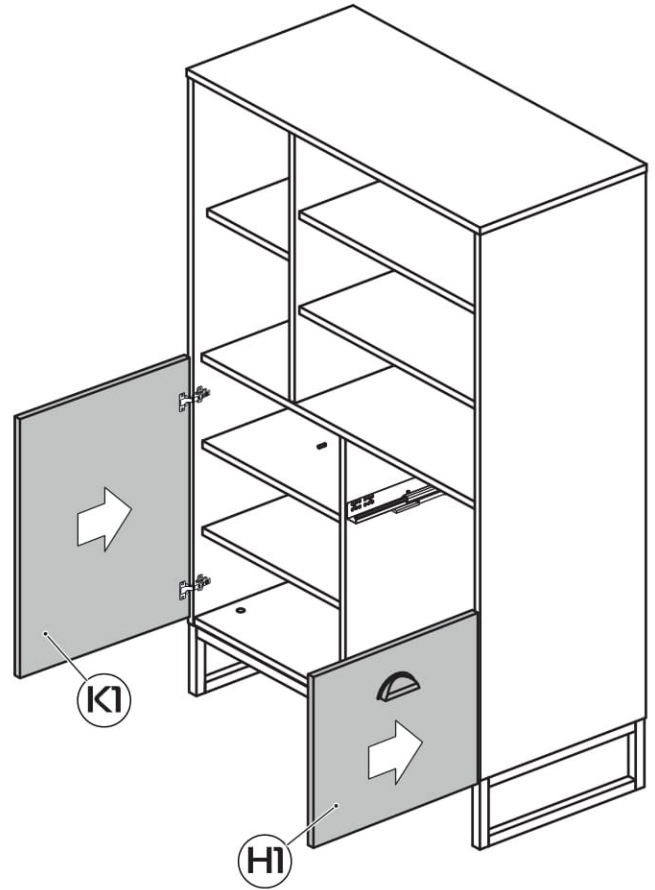
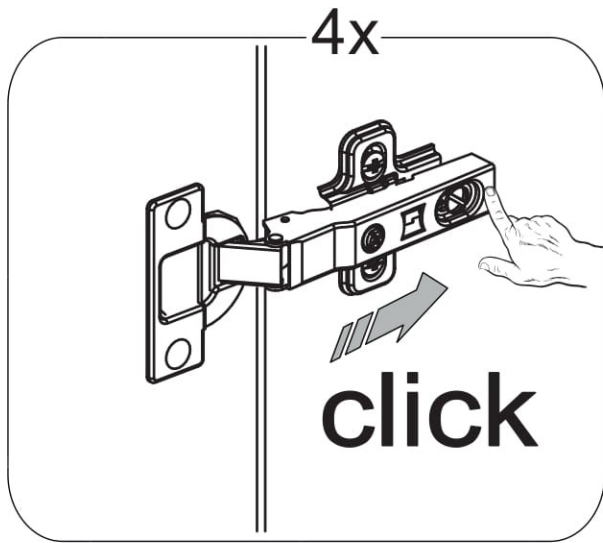
# 43



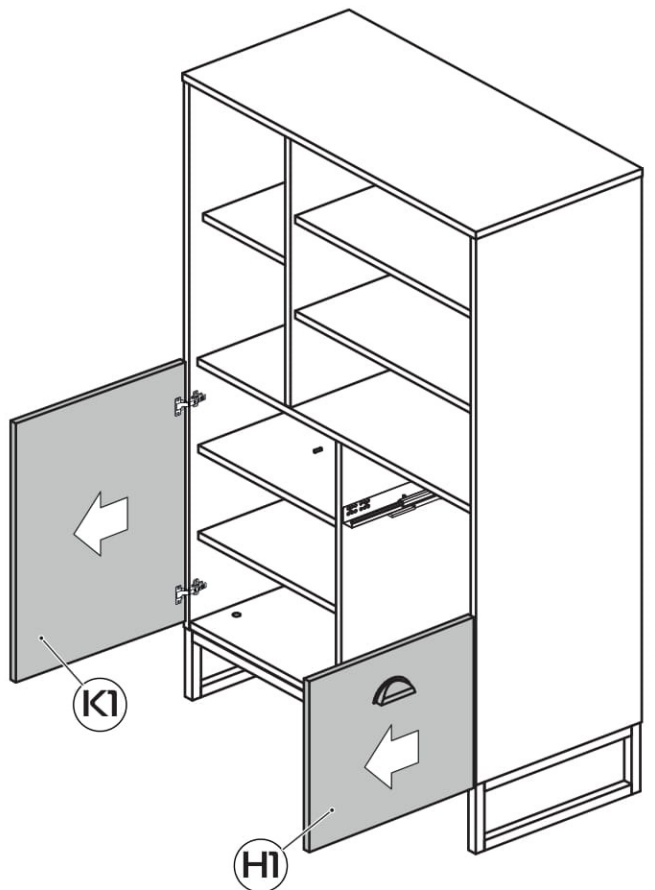
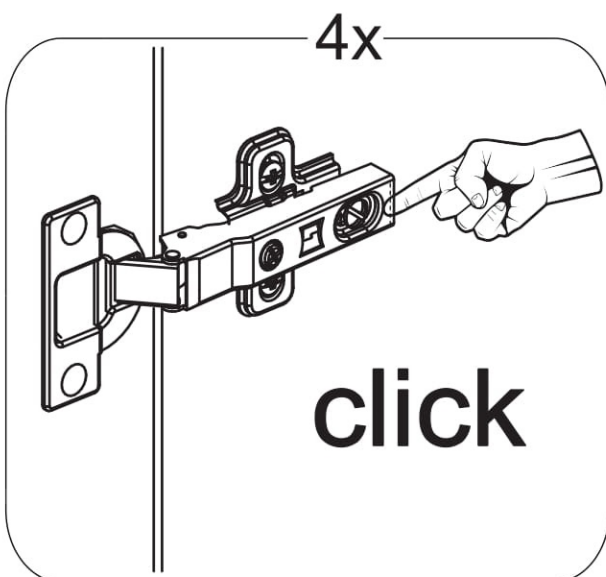
# 44



# 45

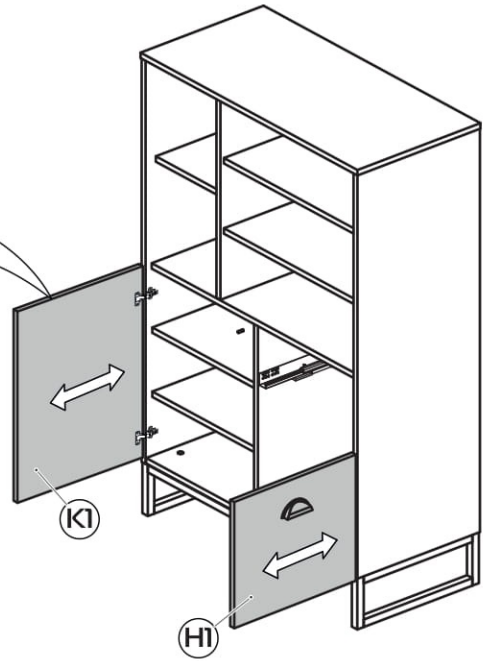
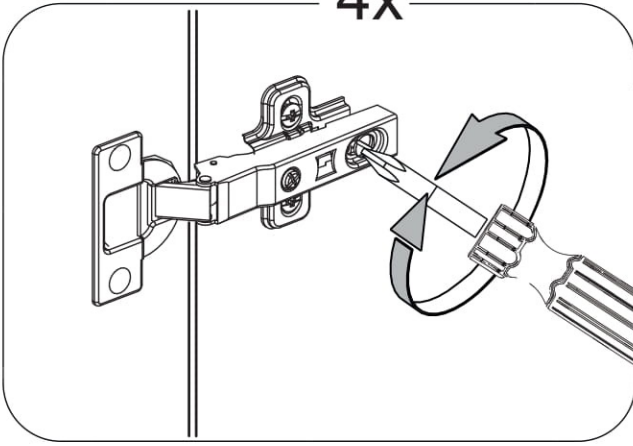


# 46

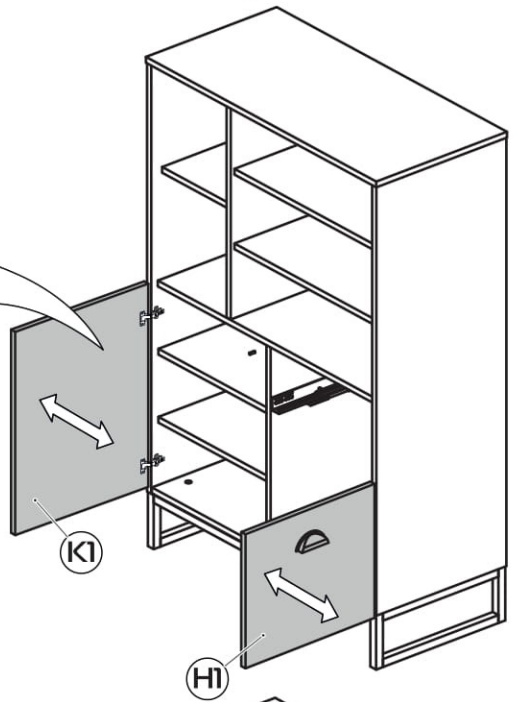
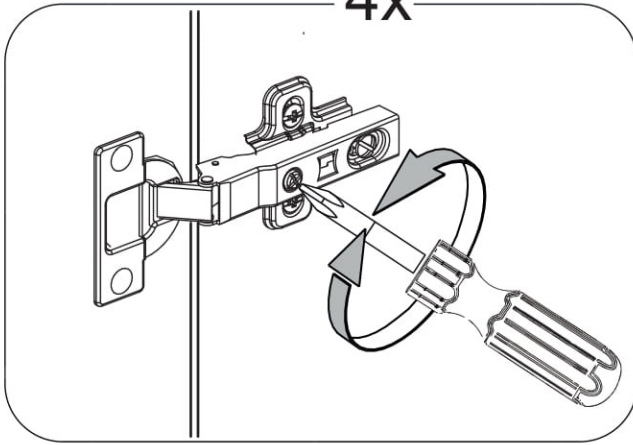


47

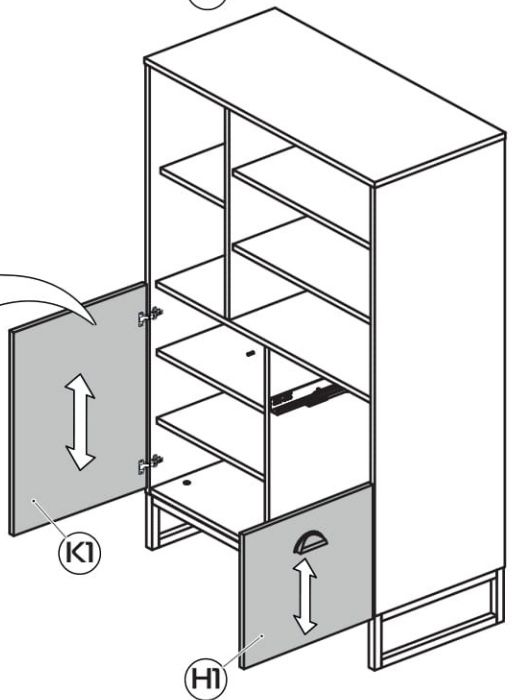
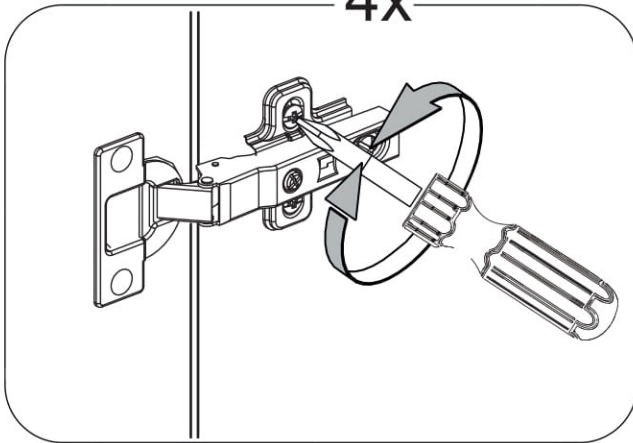
4x



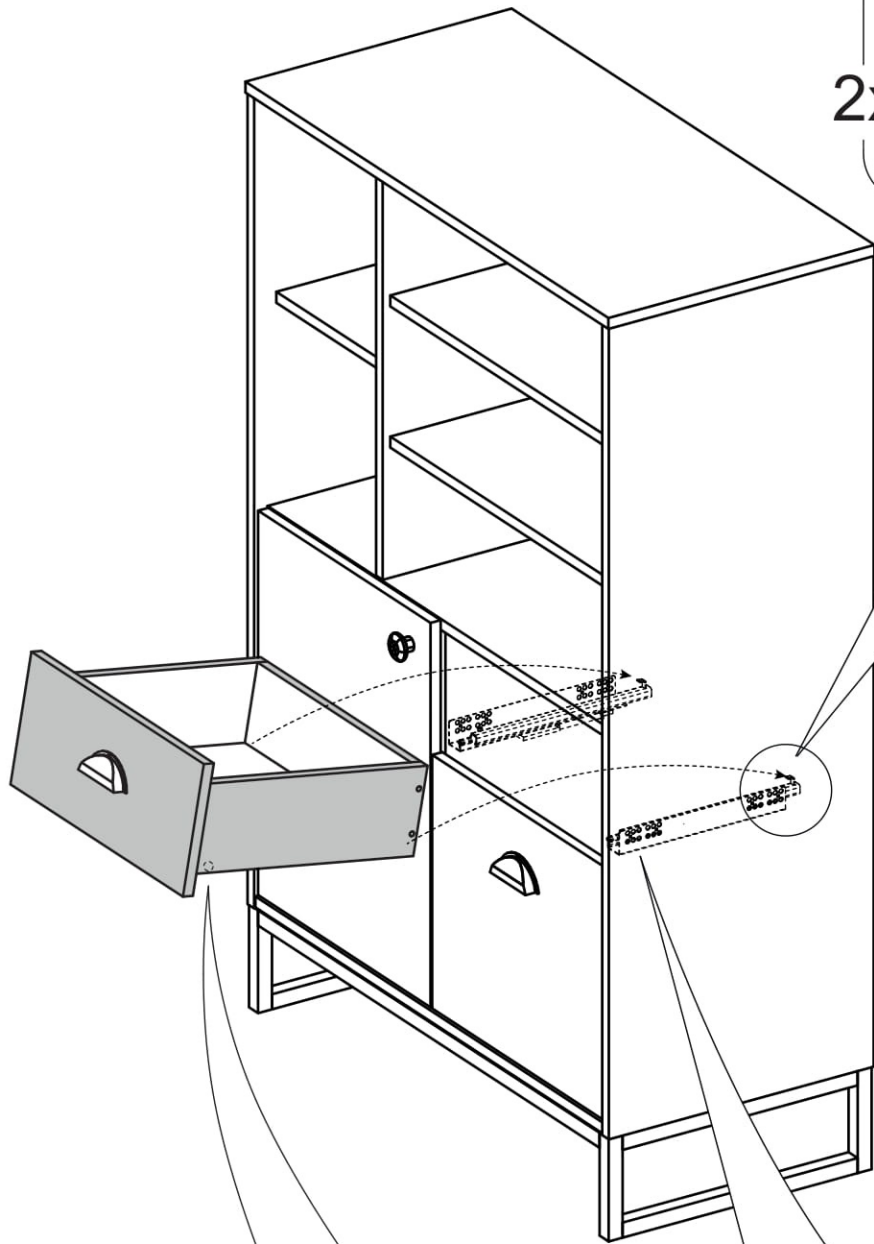
4x



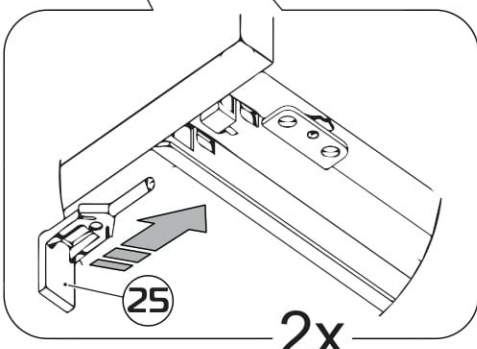
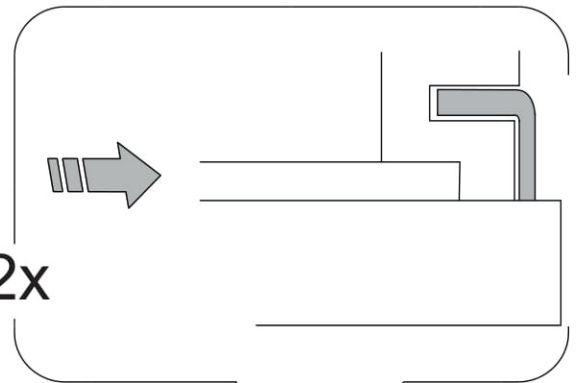
4x



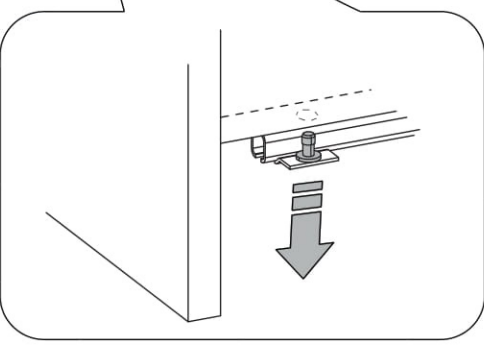
48



2x



2x



# 49

