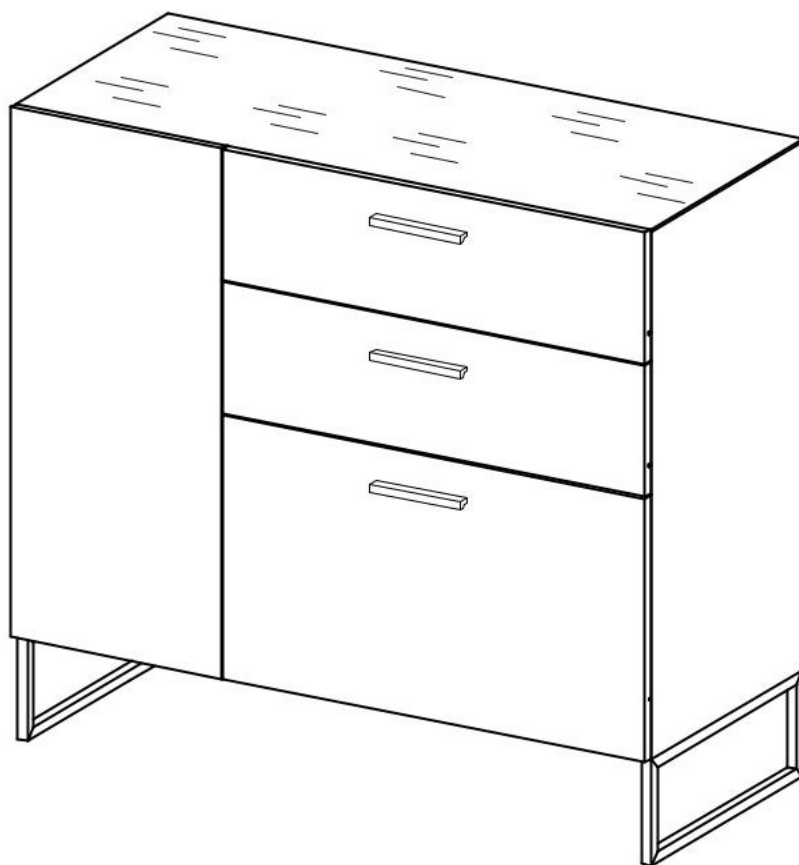
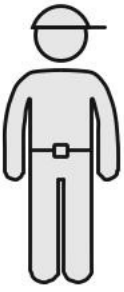


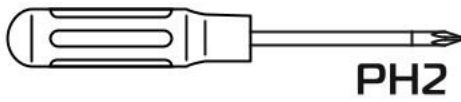
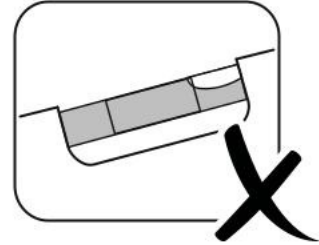
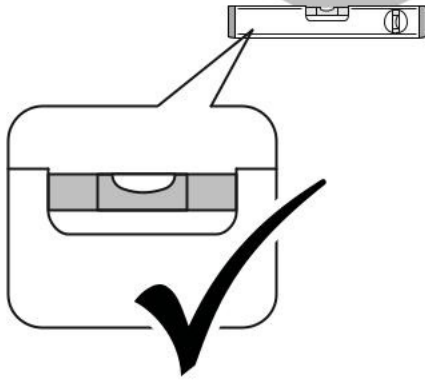
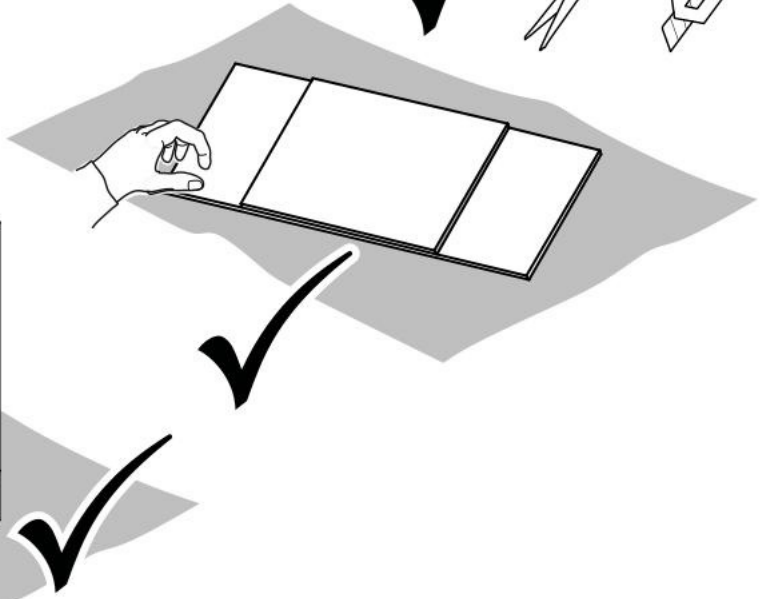
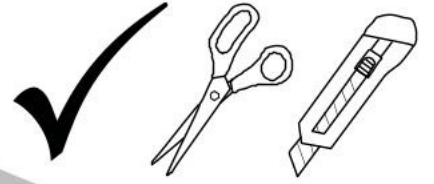
Kombinovaná komoda - dub halifax/šedá

OSVALD

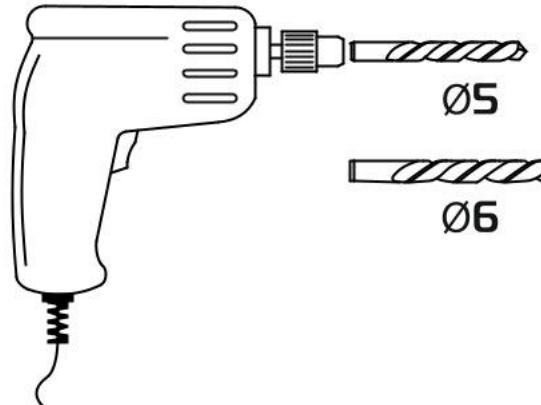
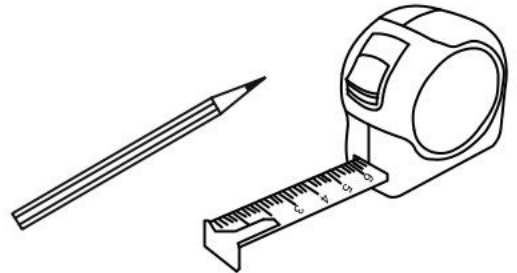
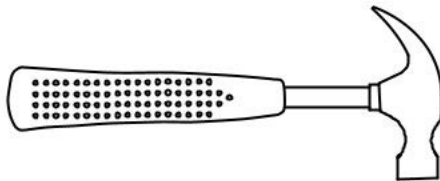


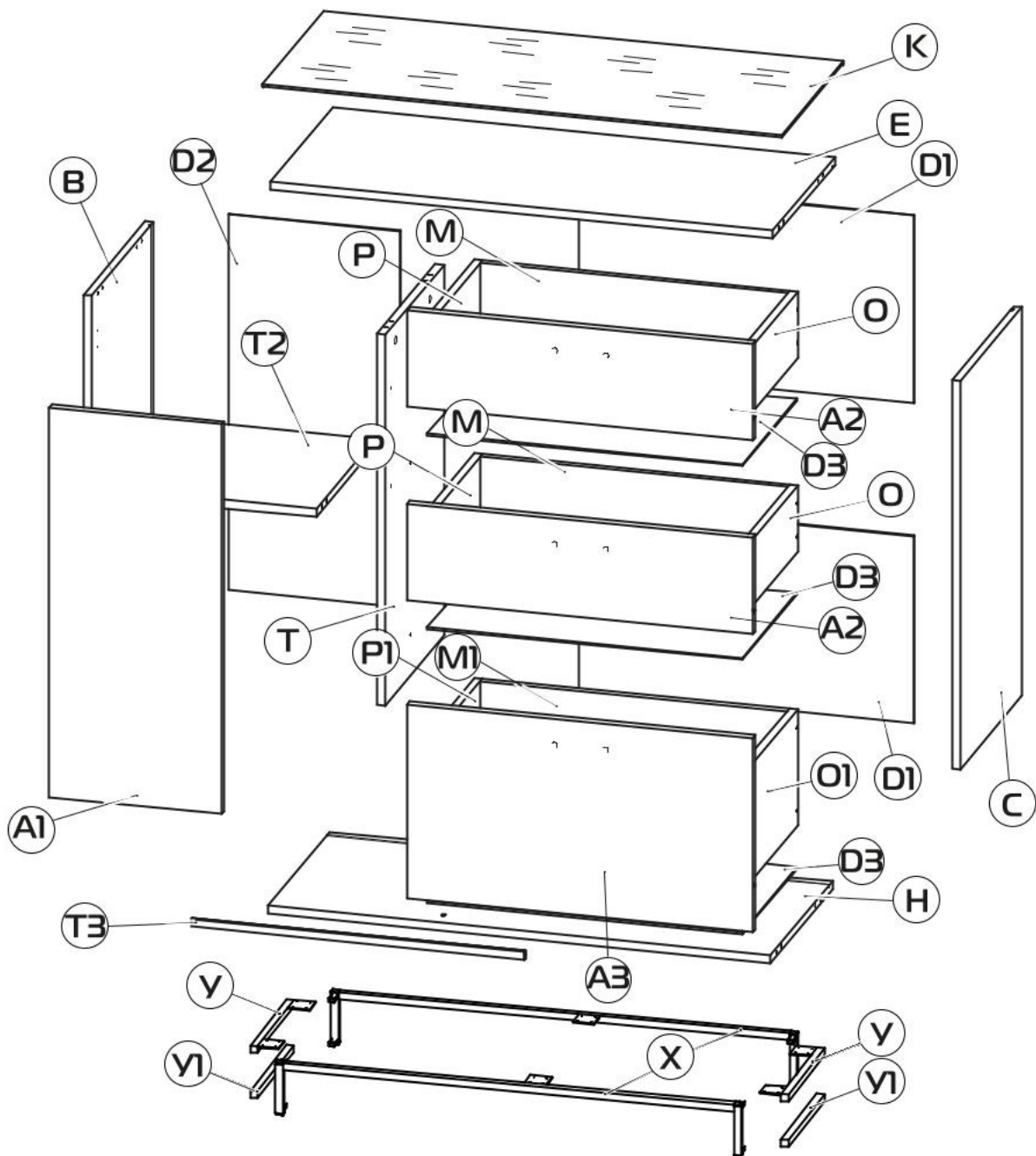


30 min



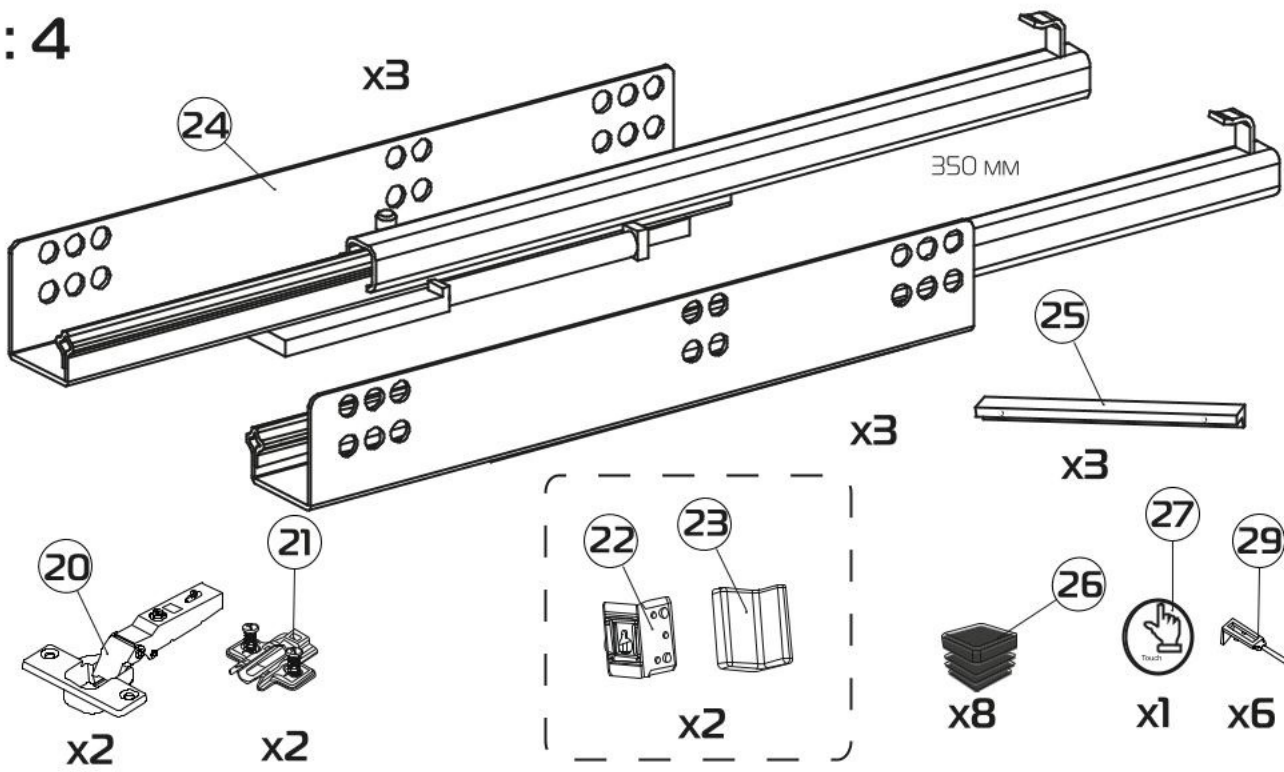
PH2



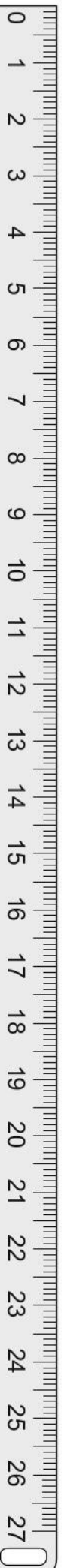
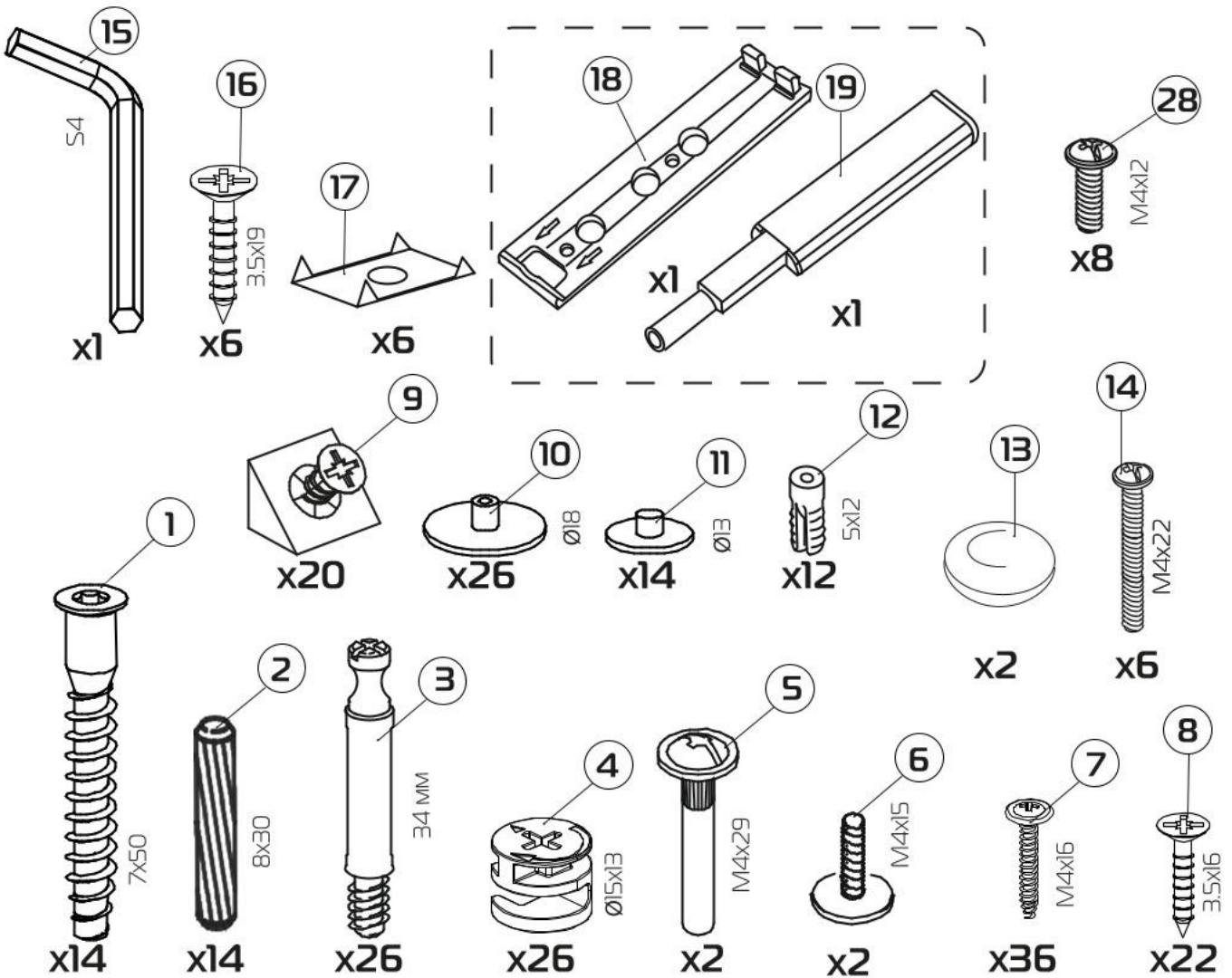


- | | |
|---------------------------------|----------------------------------|
| (A1) 681090.006 749x323x16 (x1) | (M1) 681090.009 576x210x16 (x1) |
| (A2) 681090.010 186x648x16 (x2) | (O) 681090.017 350x128x16 (x2) |
| (A3) 681090.007 373x648x16 (x1) | (O1) 681090.012 350x224x16 (x1) |
| (B) 681090.004 746x404x16 (x1) | (P) 681090.016 350x128x16 (x2) |
| (C) 681090.003 746x404x16 (x1) | (P1) 681090.013 350x224x16 (x1) |
| (D1) 681090.020 359x629x4 (x2) | (T) 681090.005 712x383x16 (x1) |
| (D2) 681090.019 721x321x4 (x1) | (T2) 681090.011 309x383x16 (x1) |
| (D3) 681090.021 591x357x4 (x3) | (T3) L-618 (x1) |
| (E) 681090.001 943x403x16 (x1) | (X) IP-665 973x142x20 (x2) |
| (H) 681090.002 943x403x16 (x1) | (Y) IP-662.02.00 376x80x20 (x2) |
| (K) 681090.018 975x404x4 (x1) | (Y1) IP-662.03.00 376x20x20 (x2) |
| (M) 681090.014 576x114x16 (x2) | |

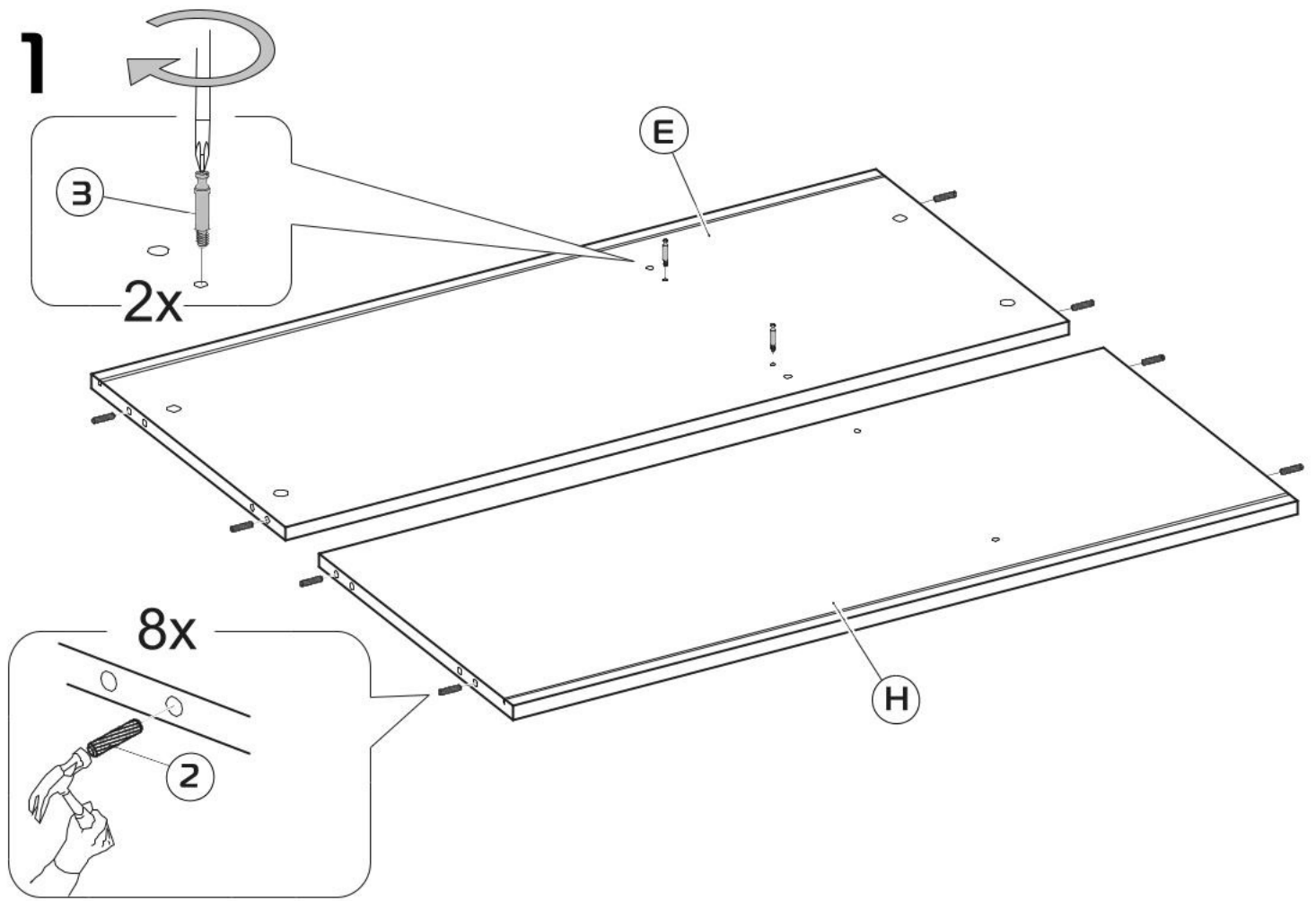
1:4



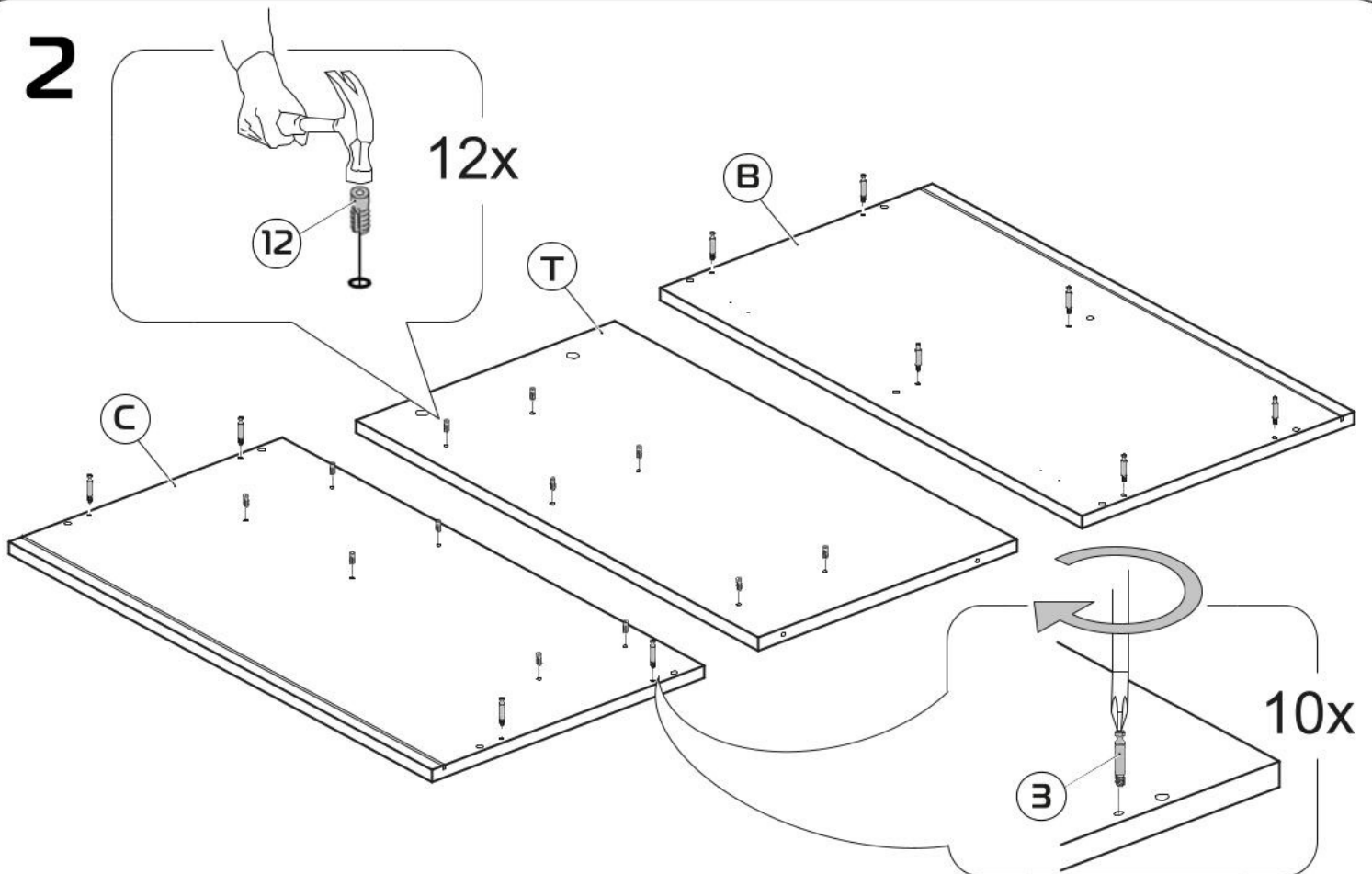
1:1



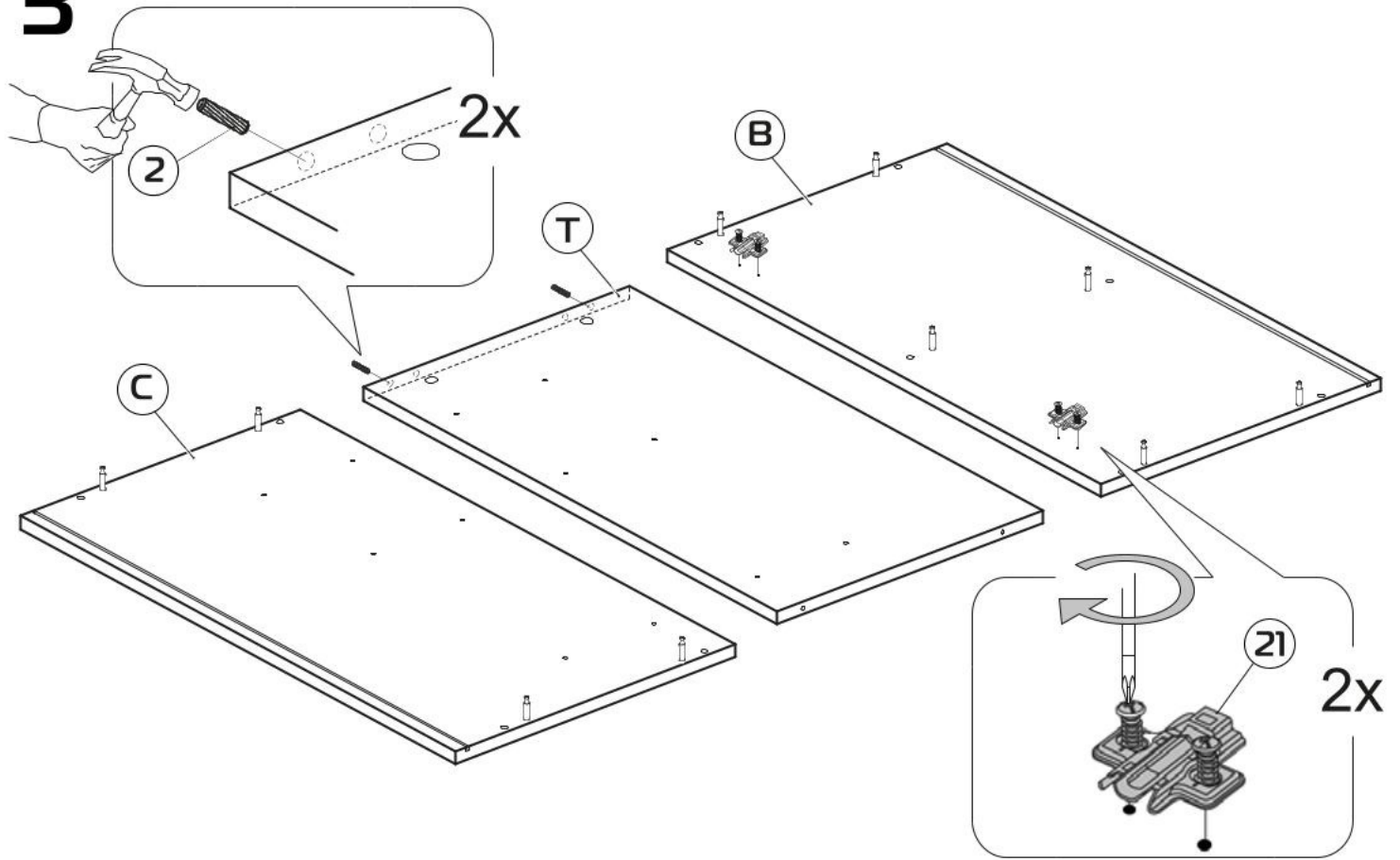
1



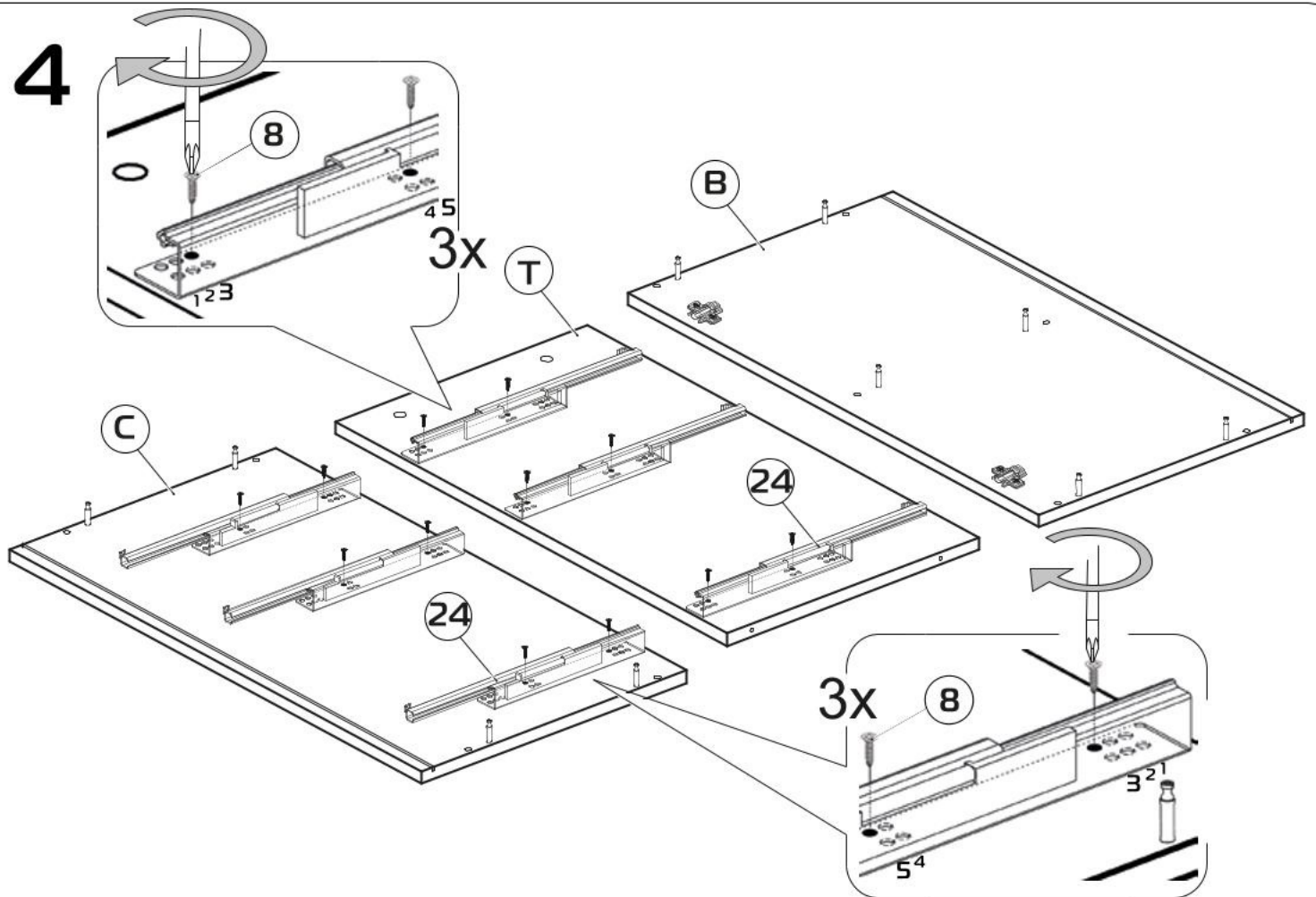
2



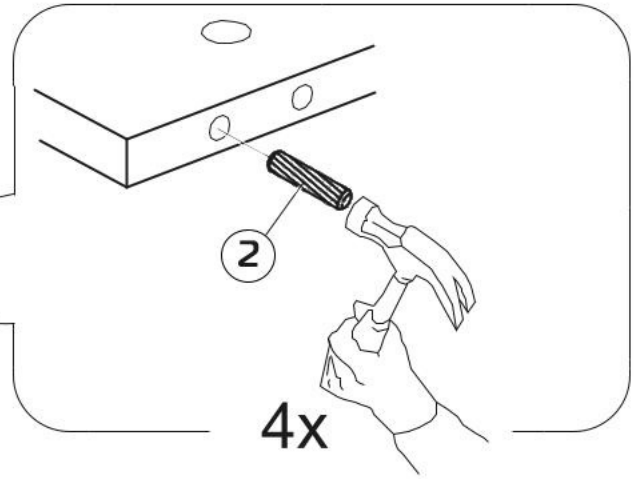
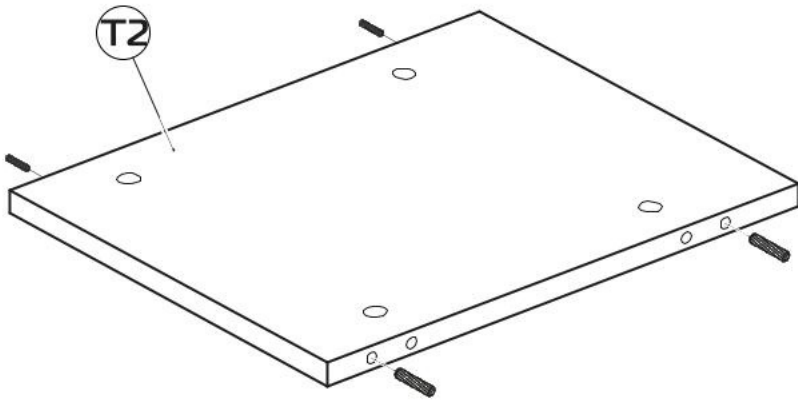
3



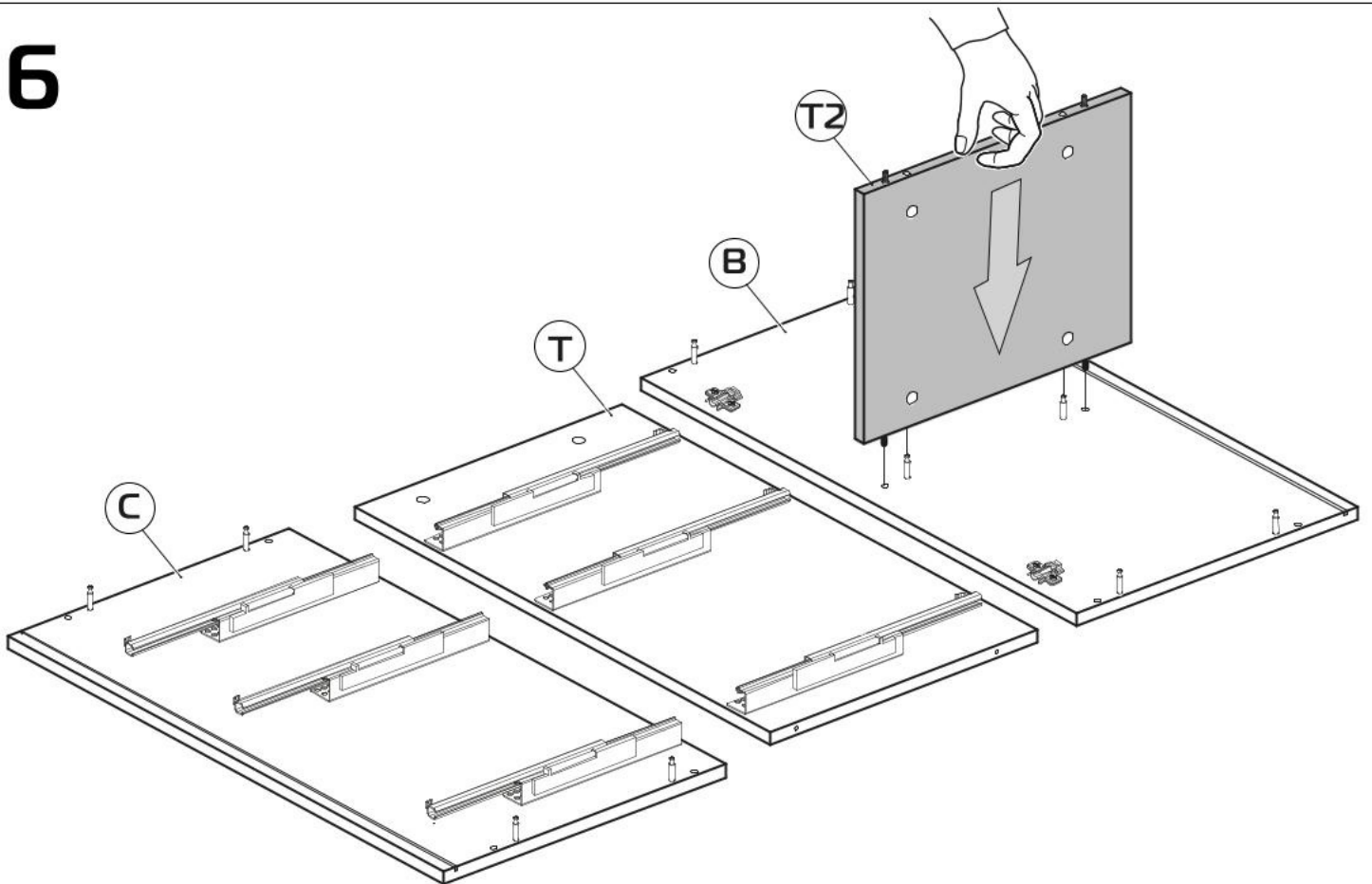
4



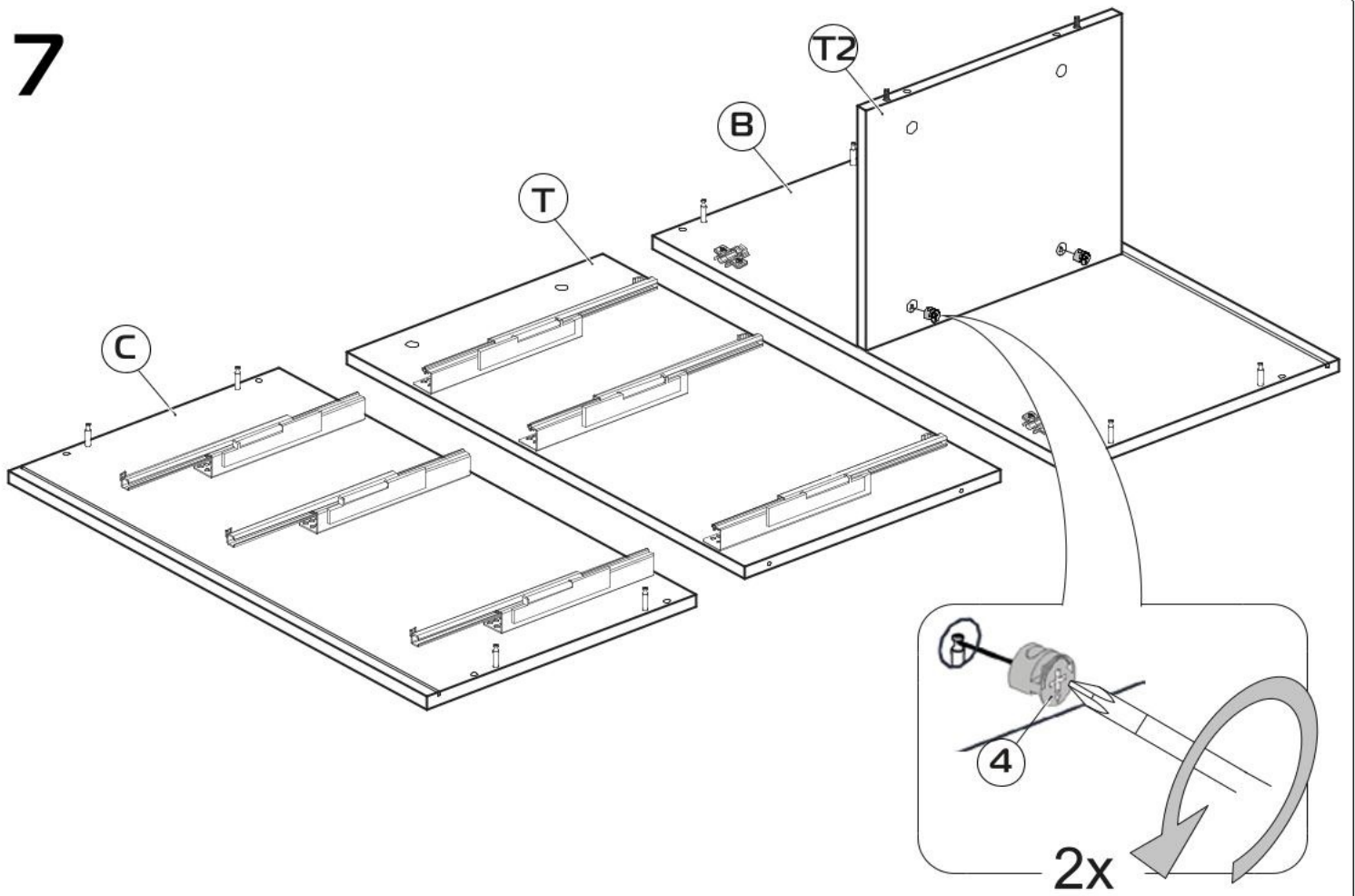
5



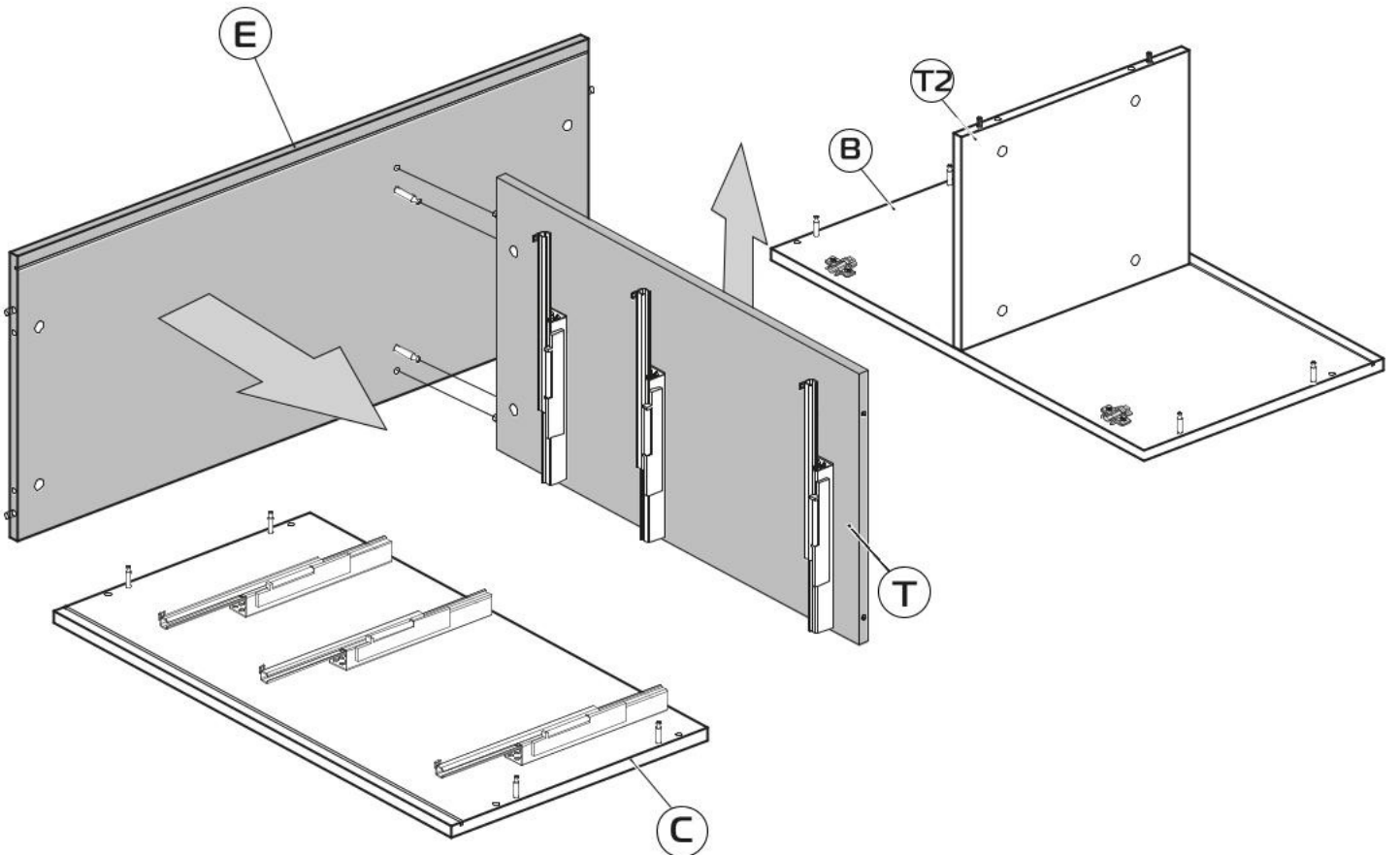
6



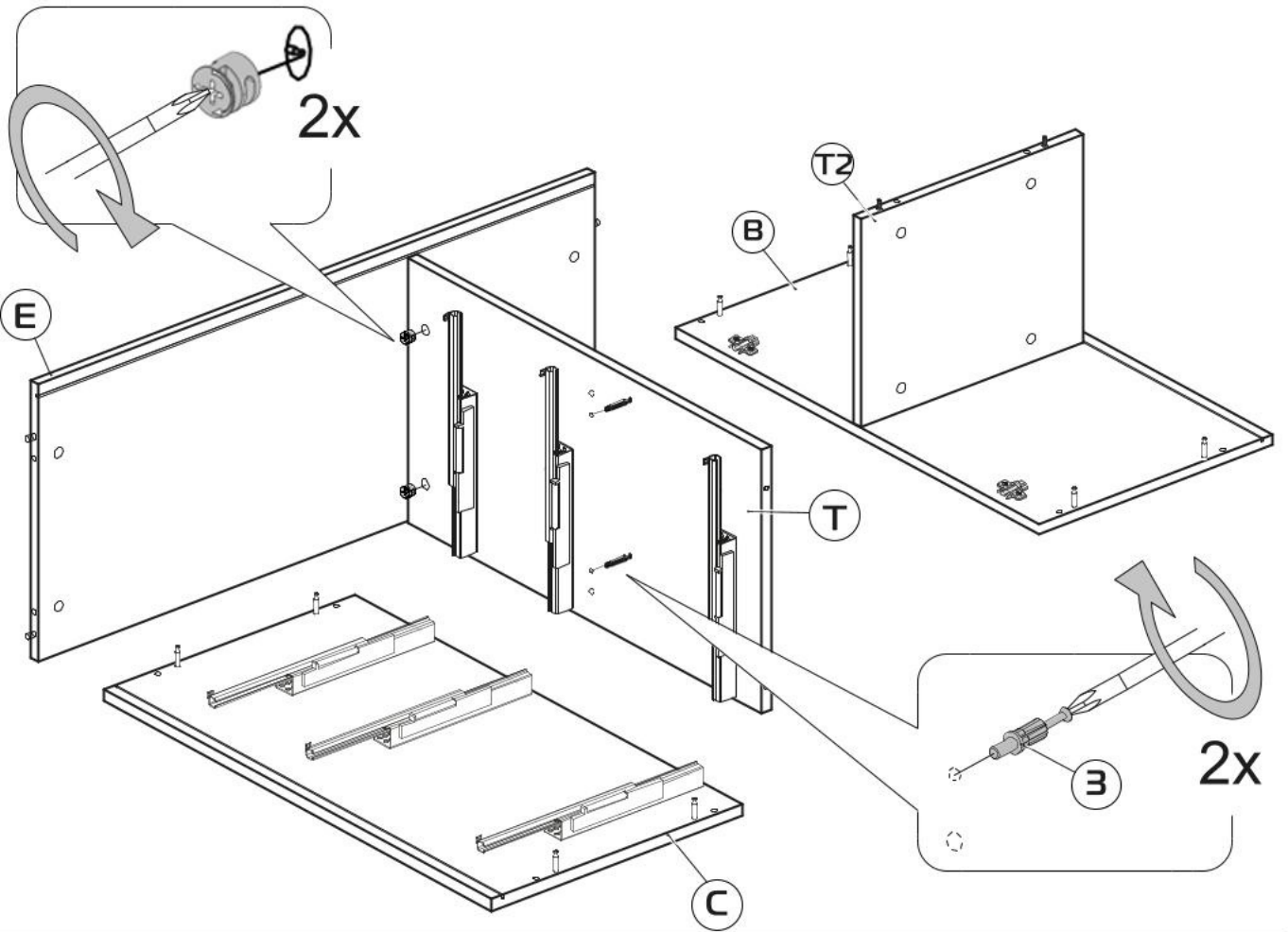
7



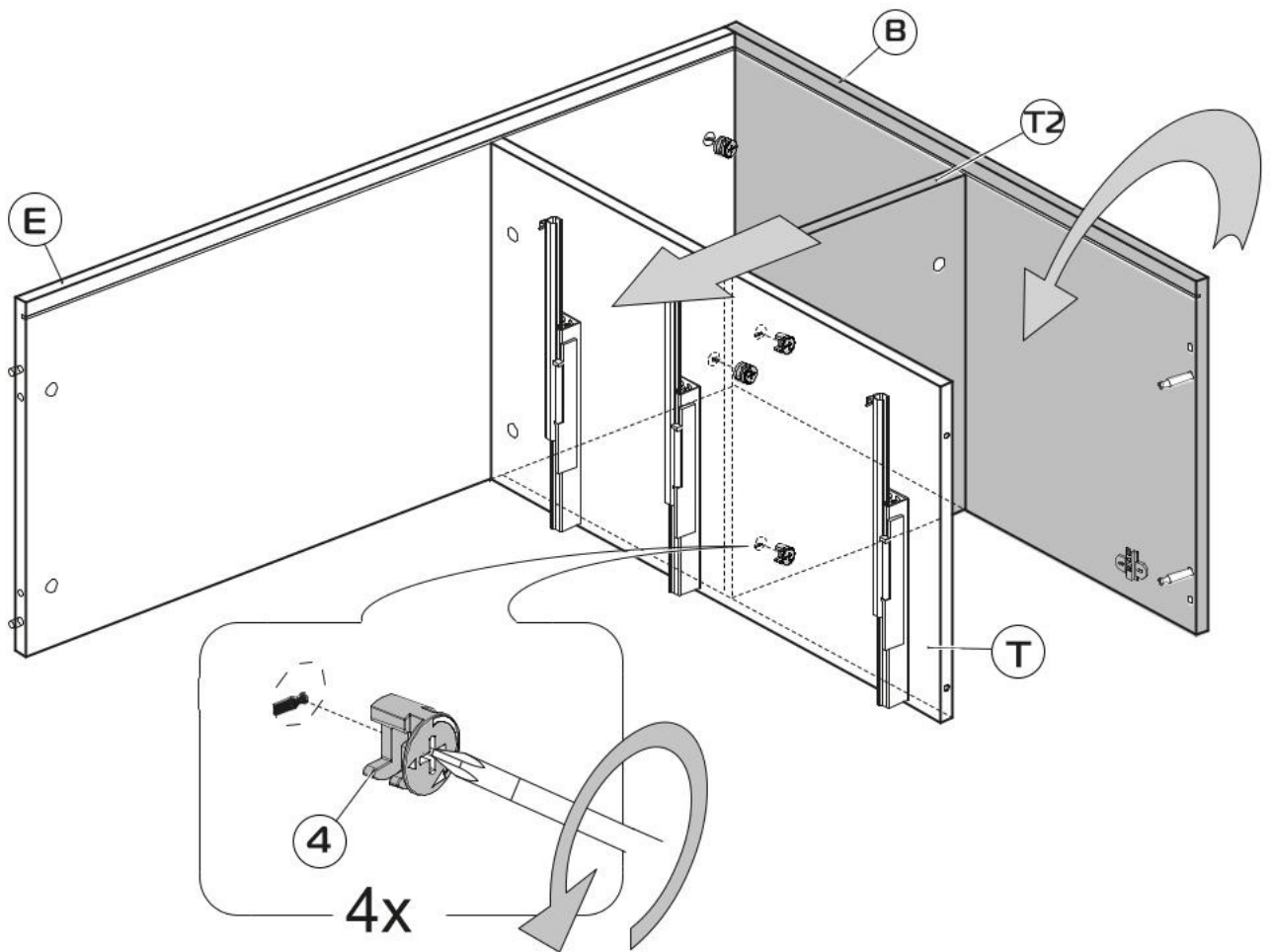
8



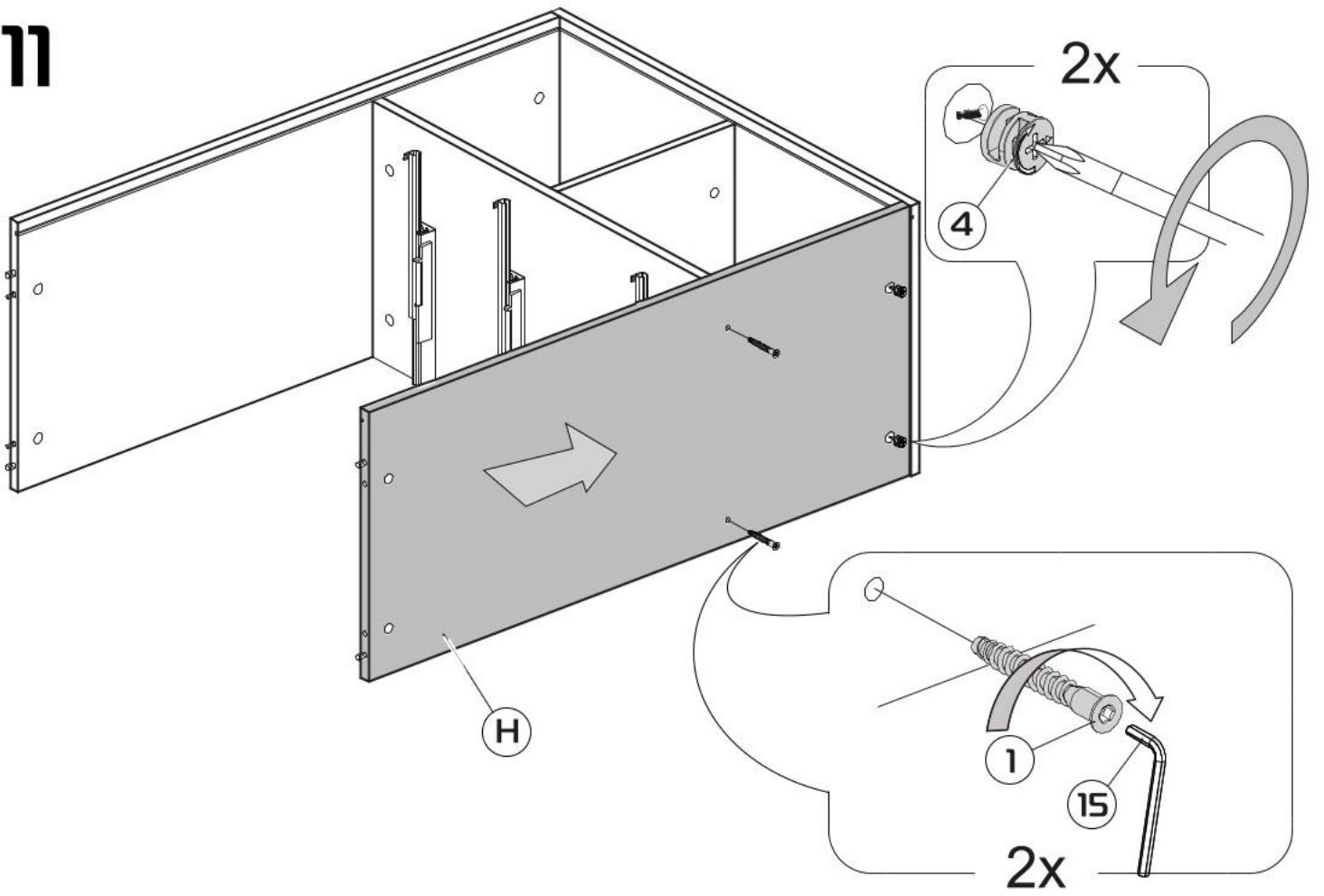
9



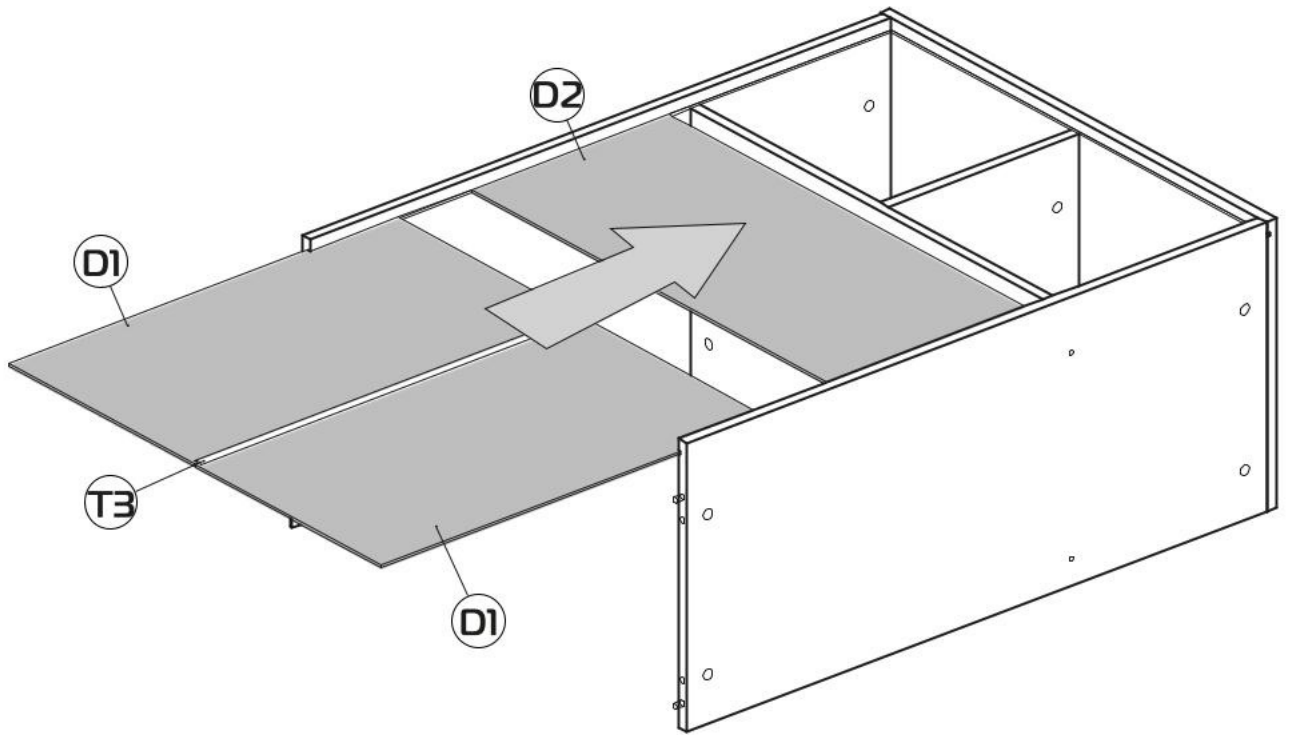
10



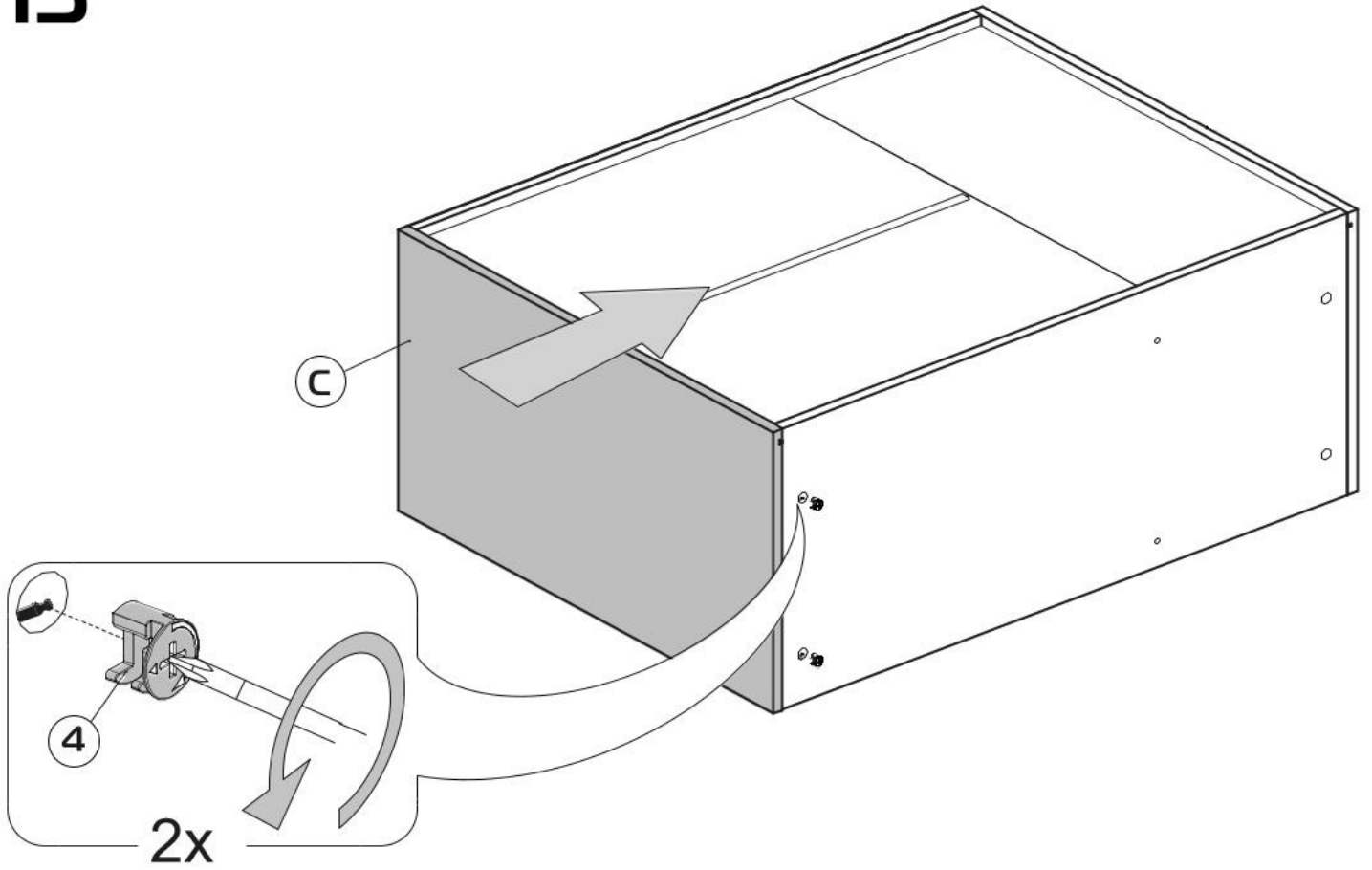
11



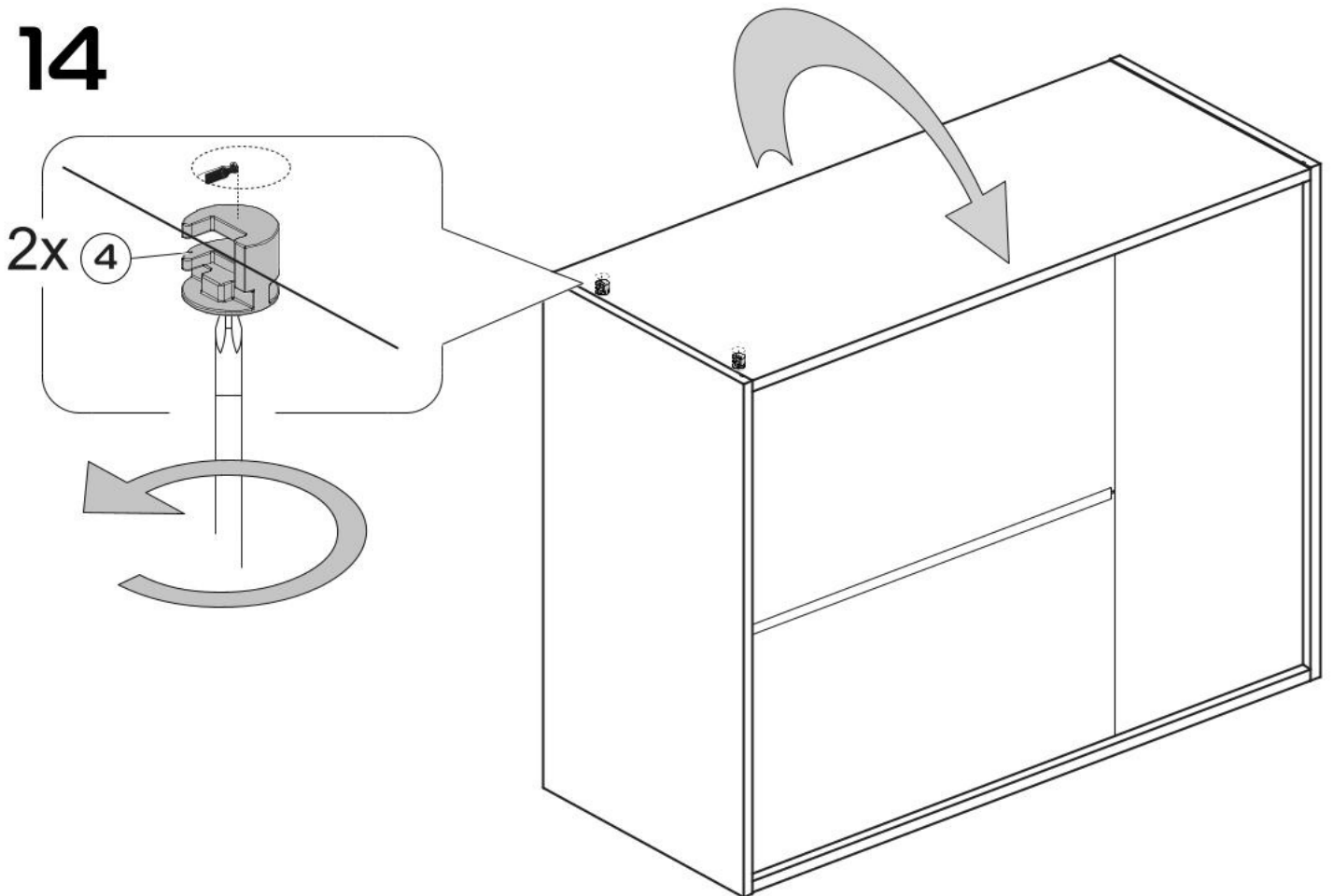
12



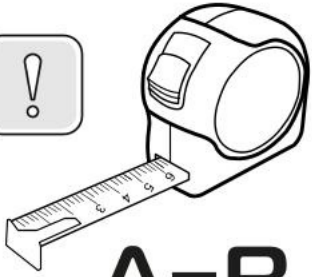
13



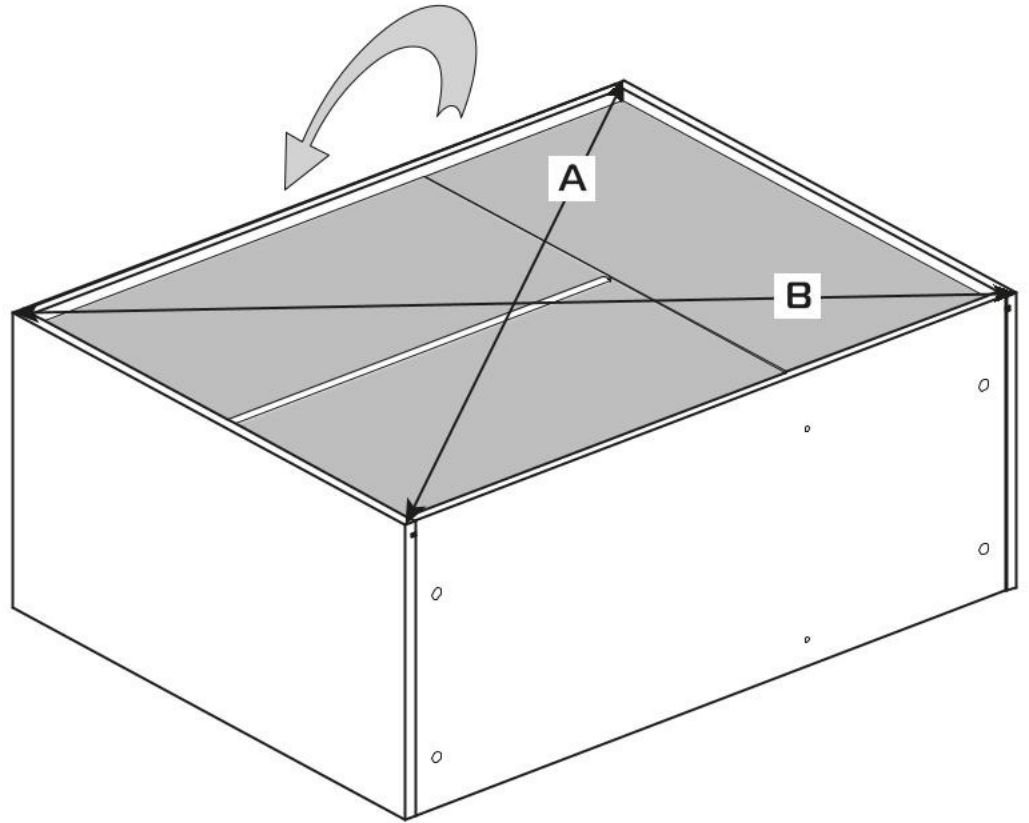
14



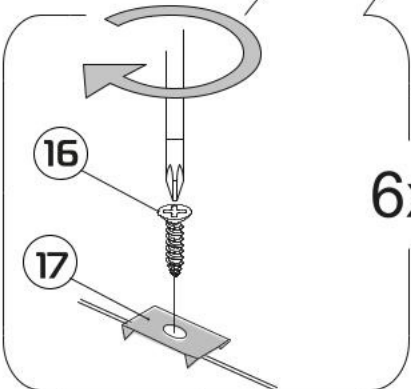
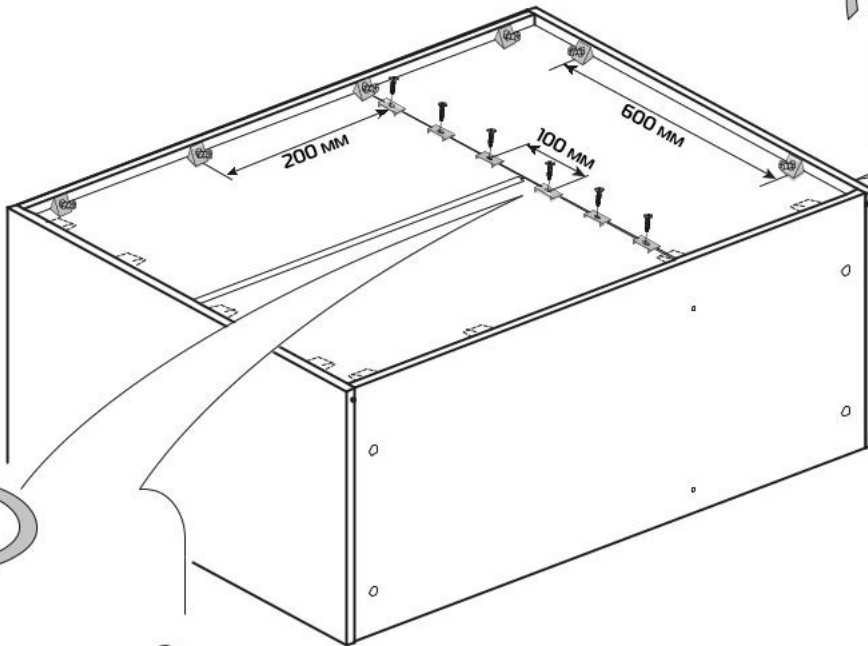
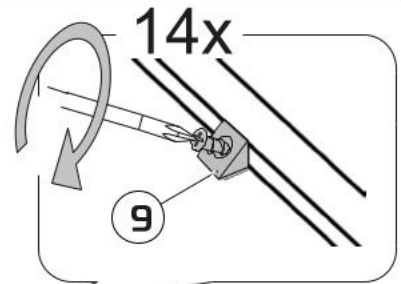
15



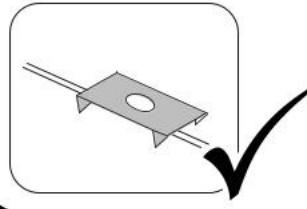
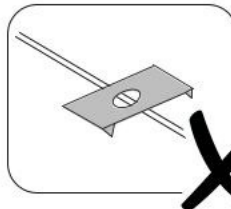
A=B



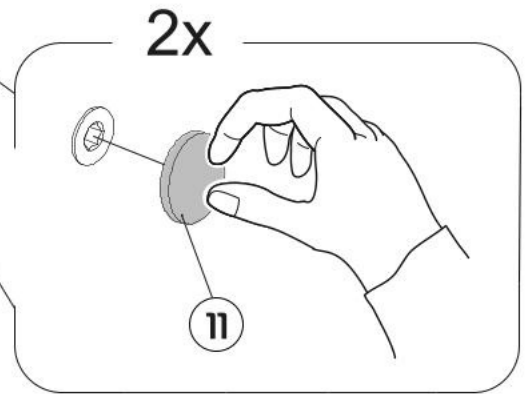
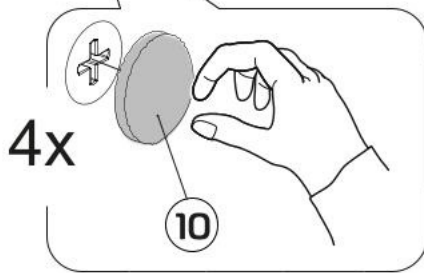
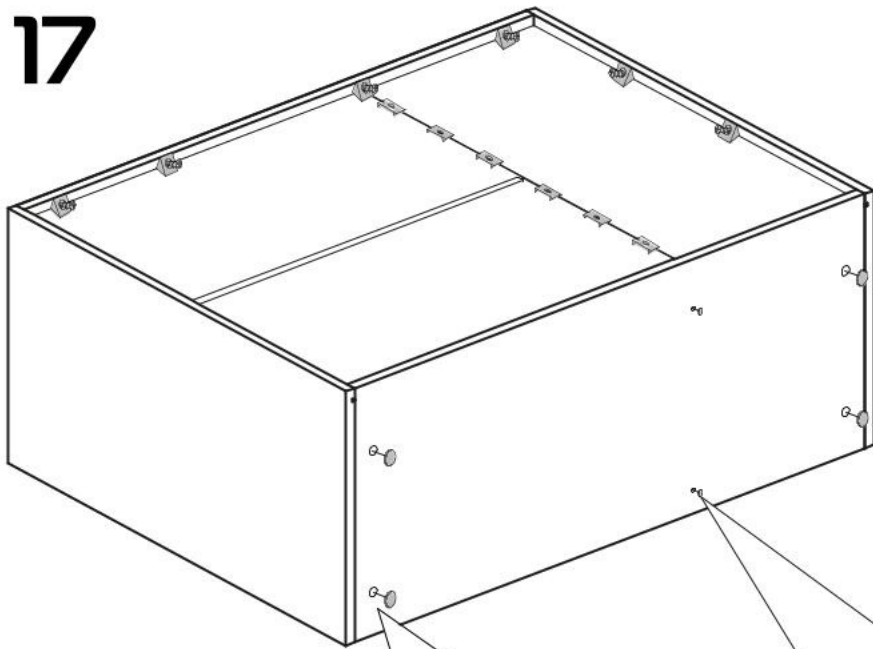
16



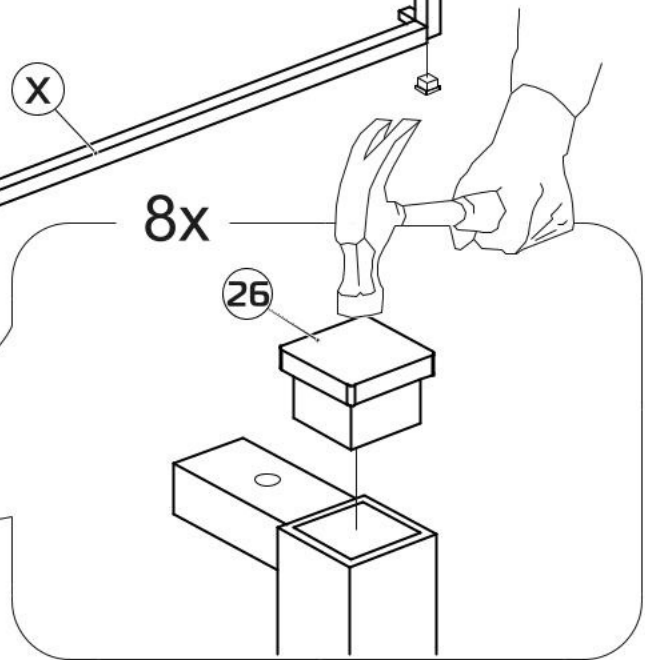
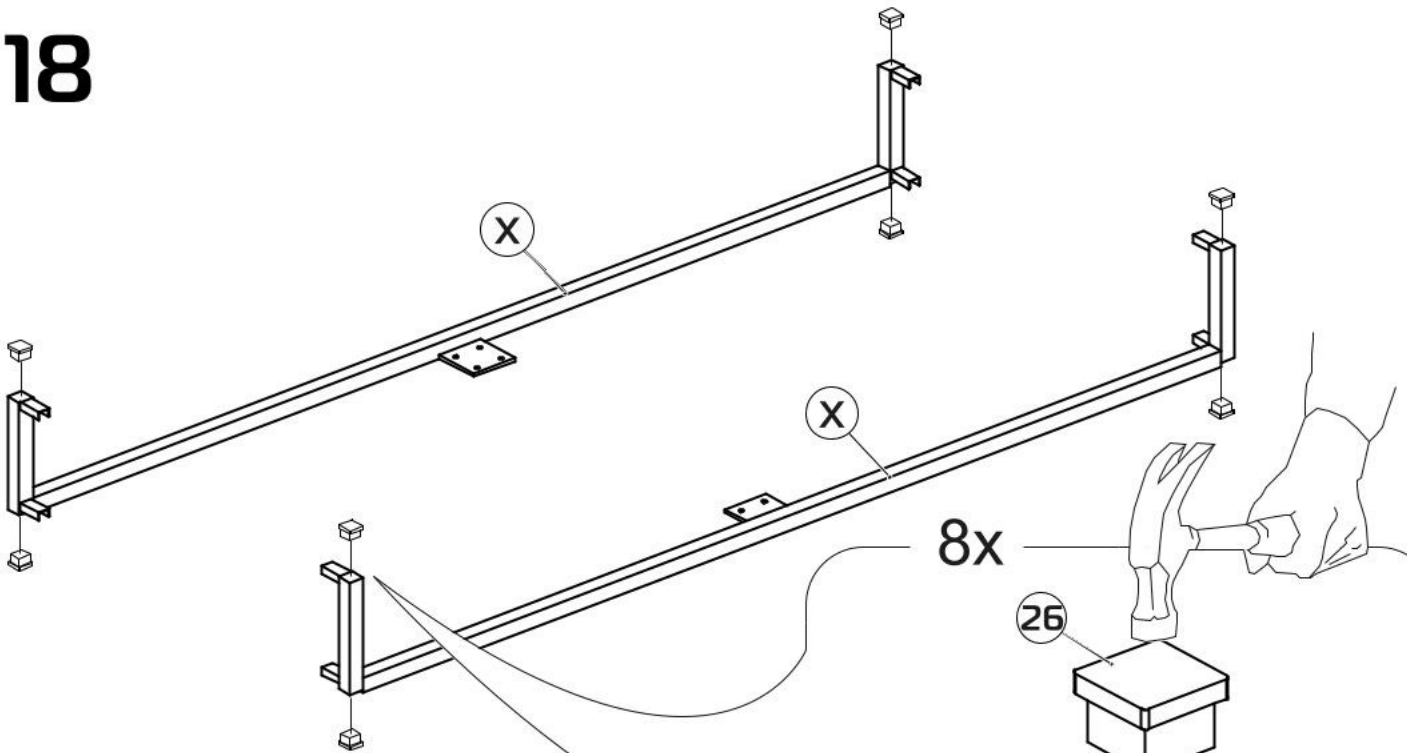
6x



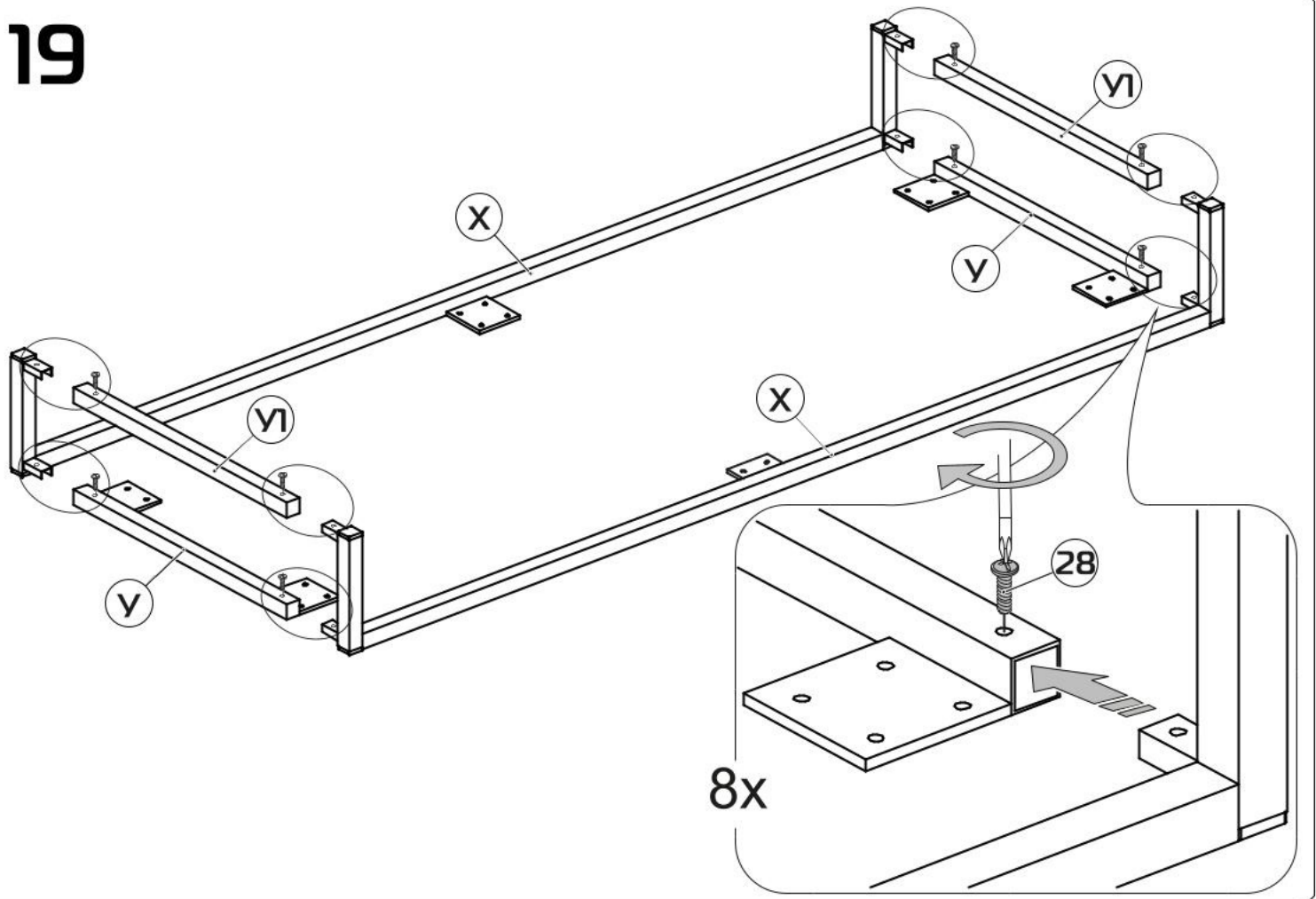
17



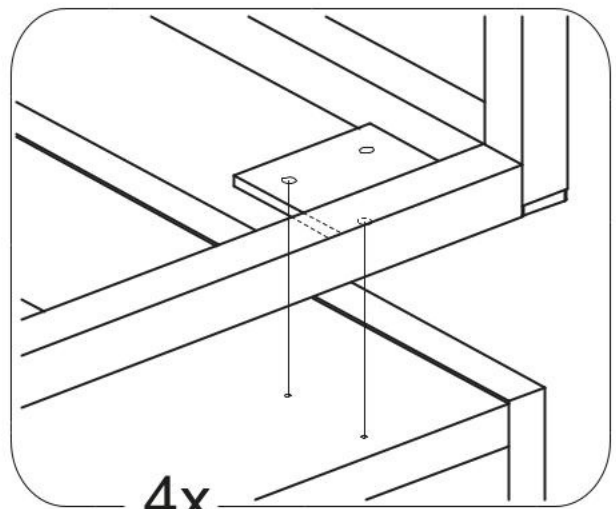
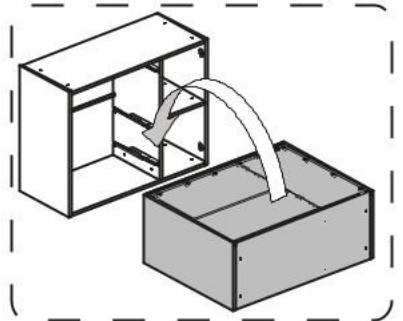
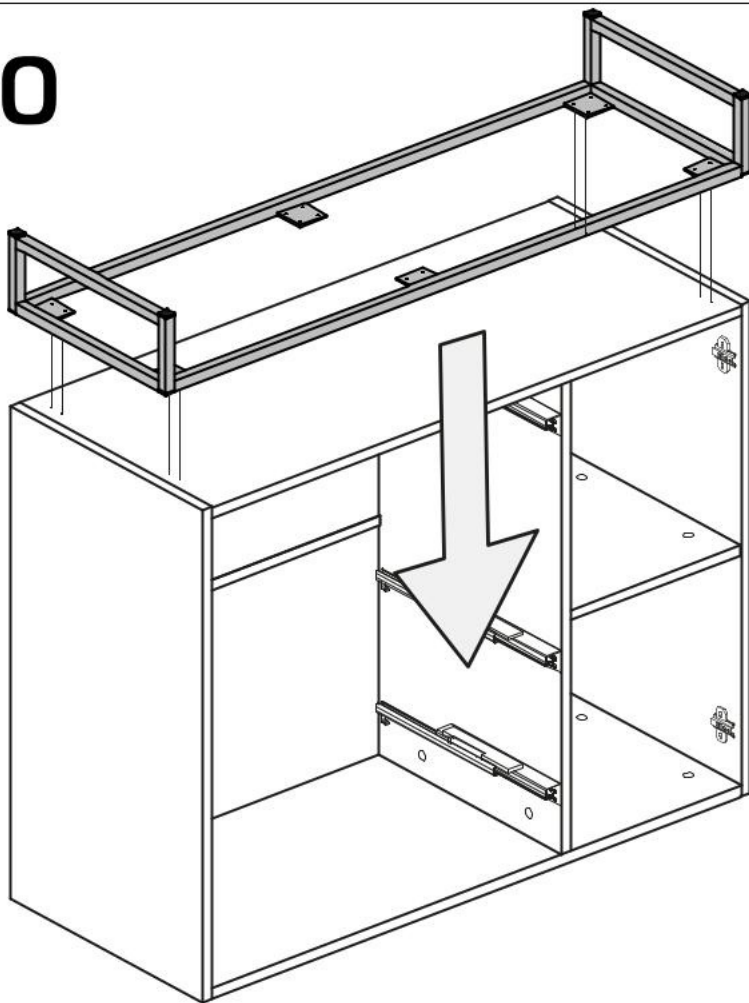
18



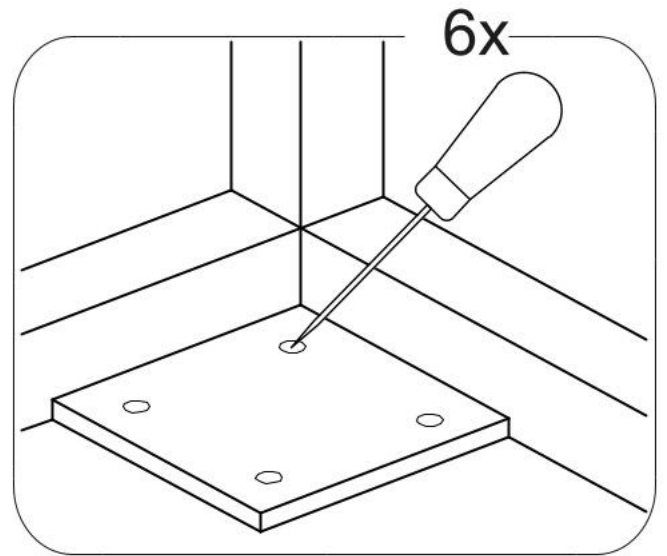
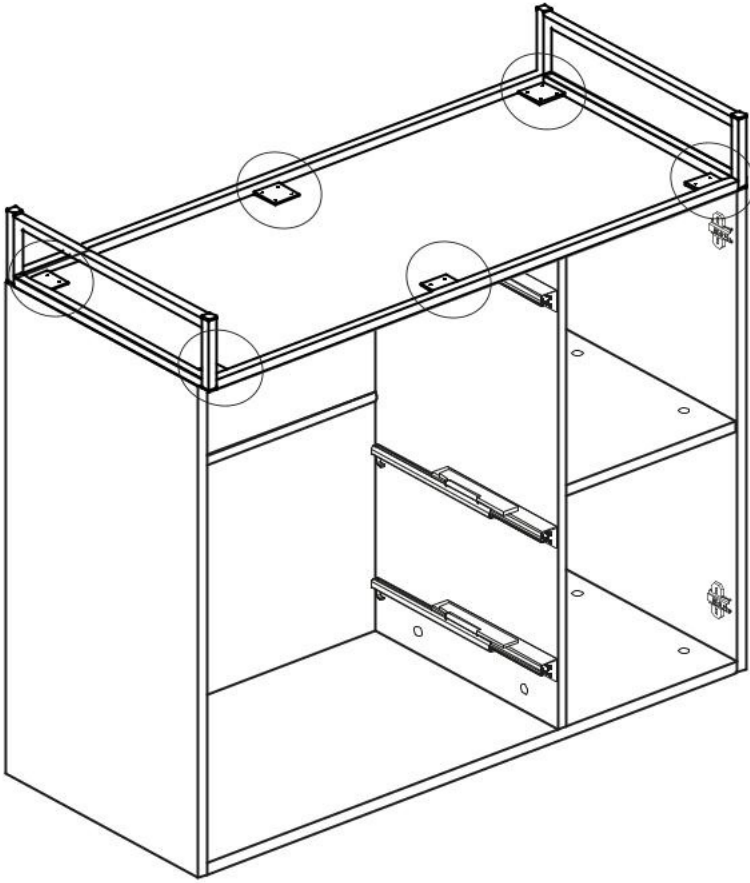
19



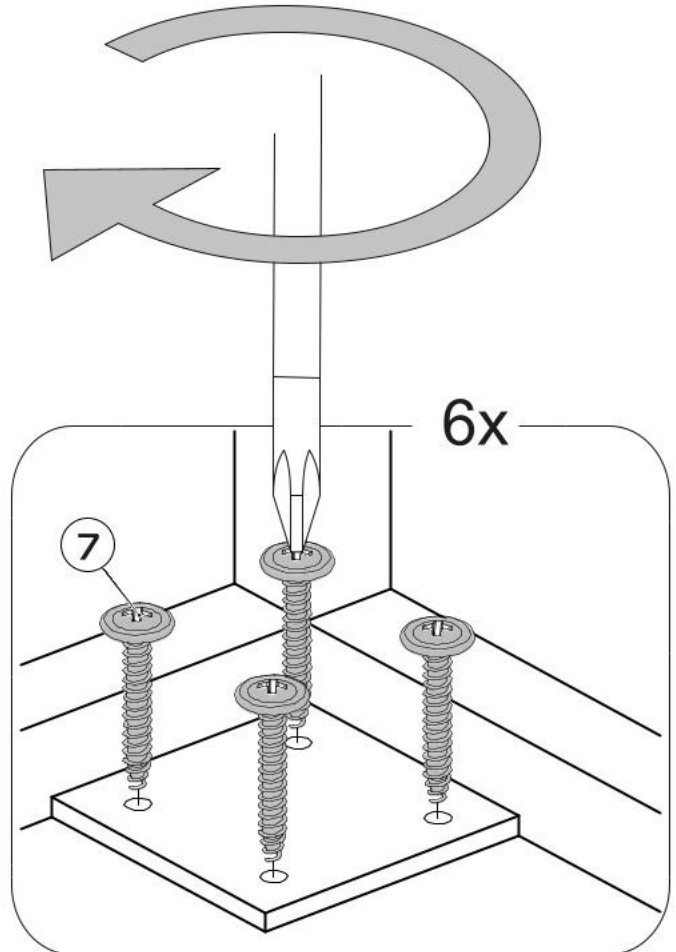
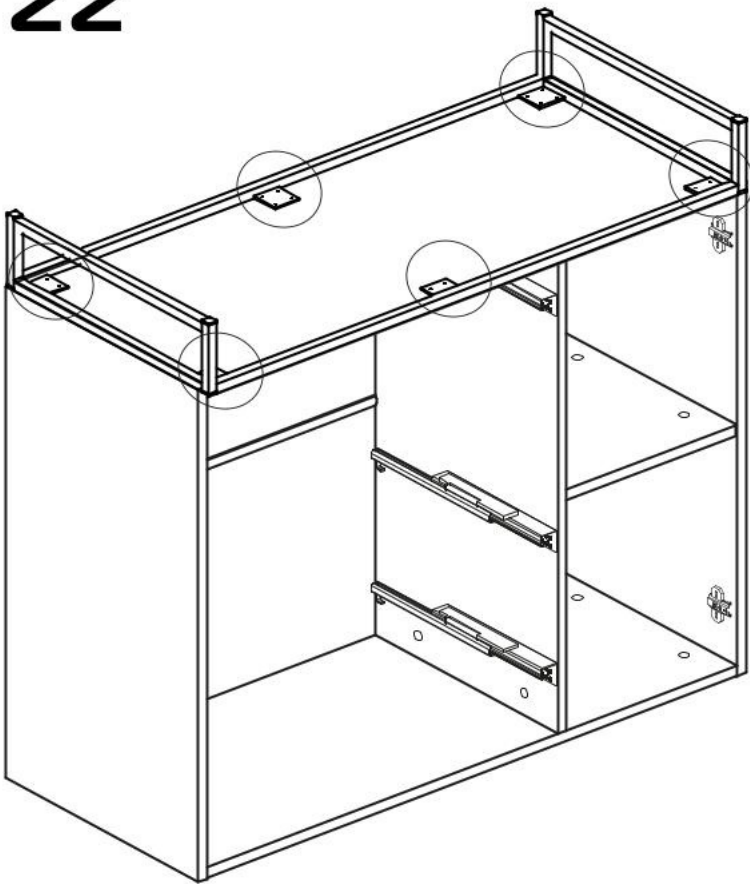
20

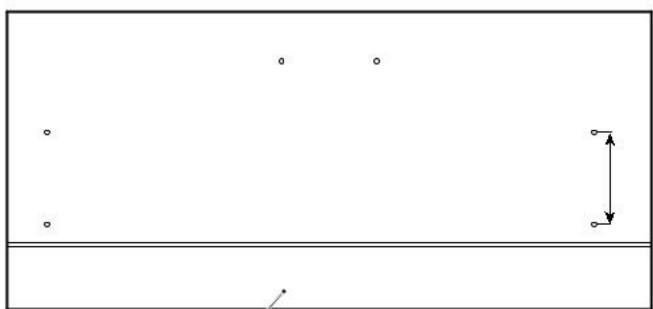
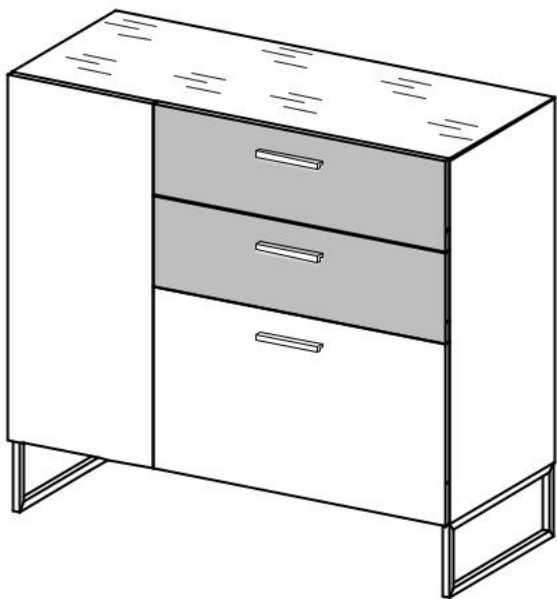


21



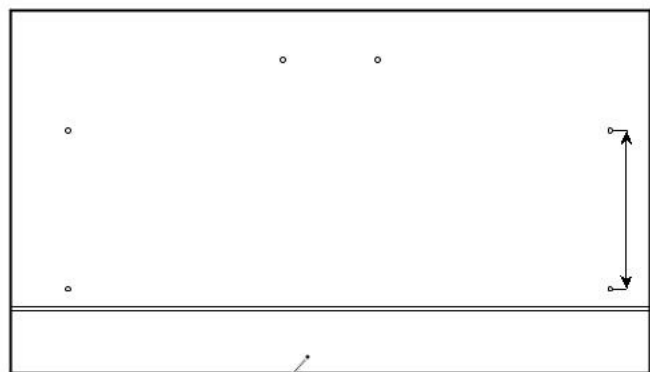
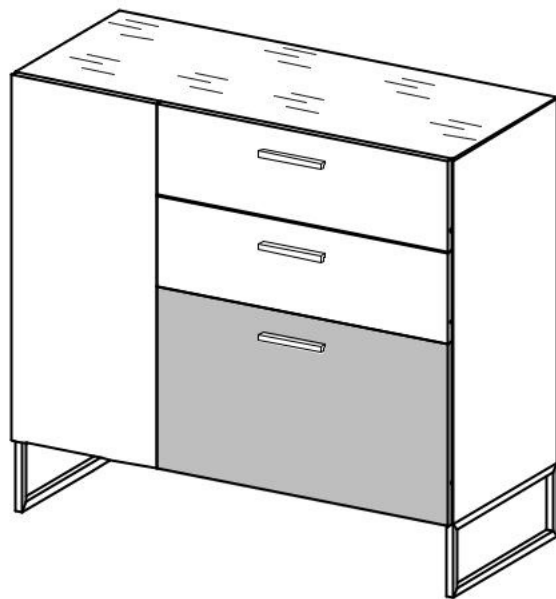
22





64 MM

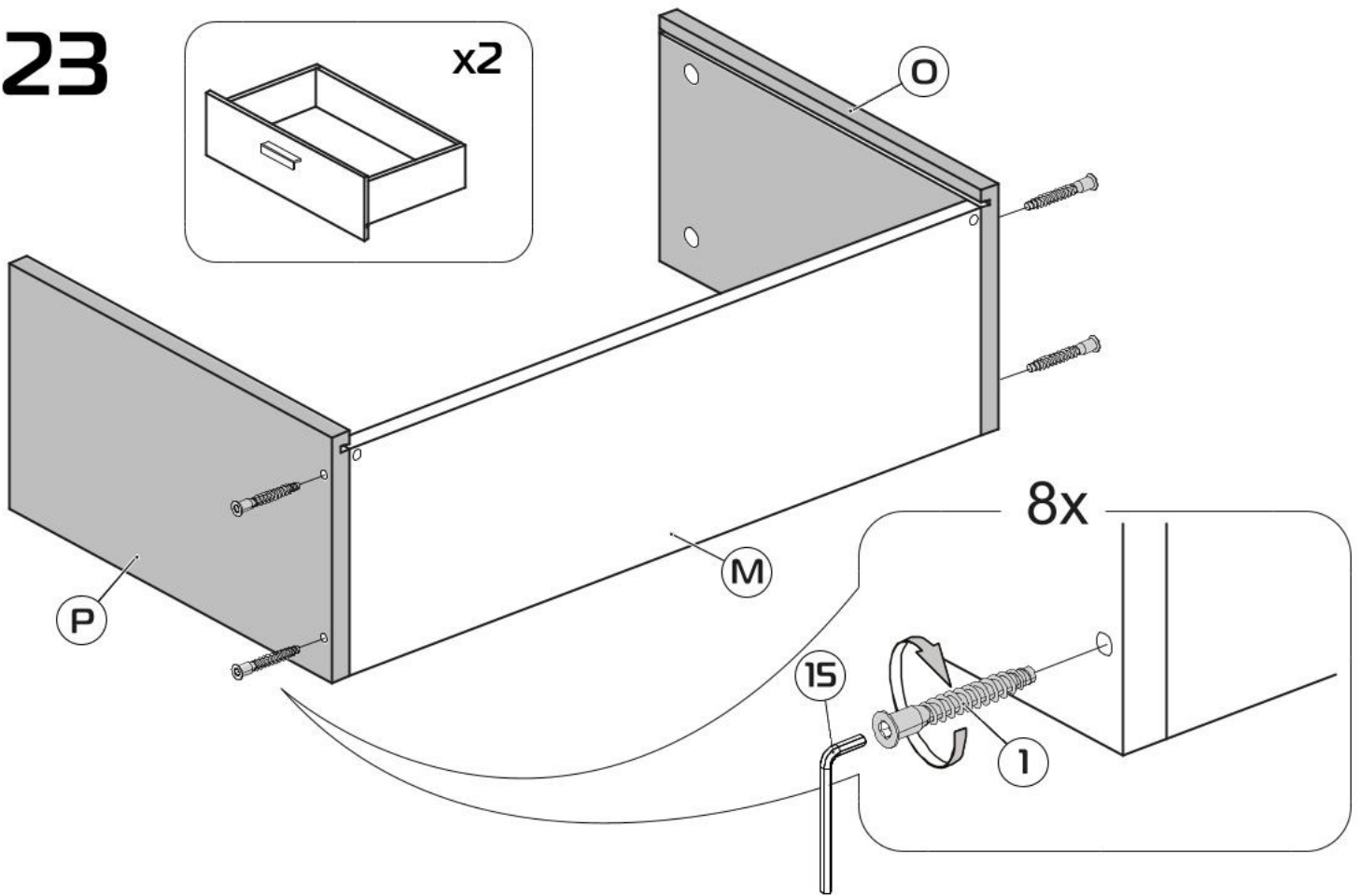
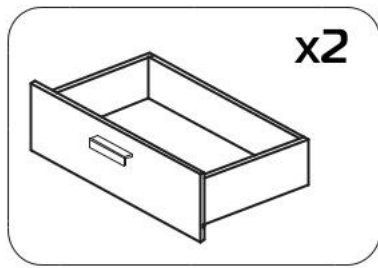
A2



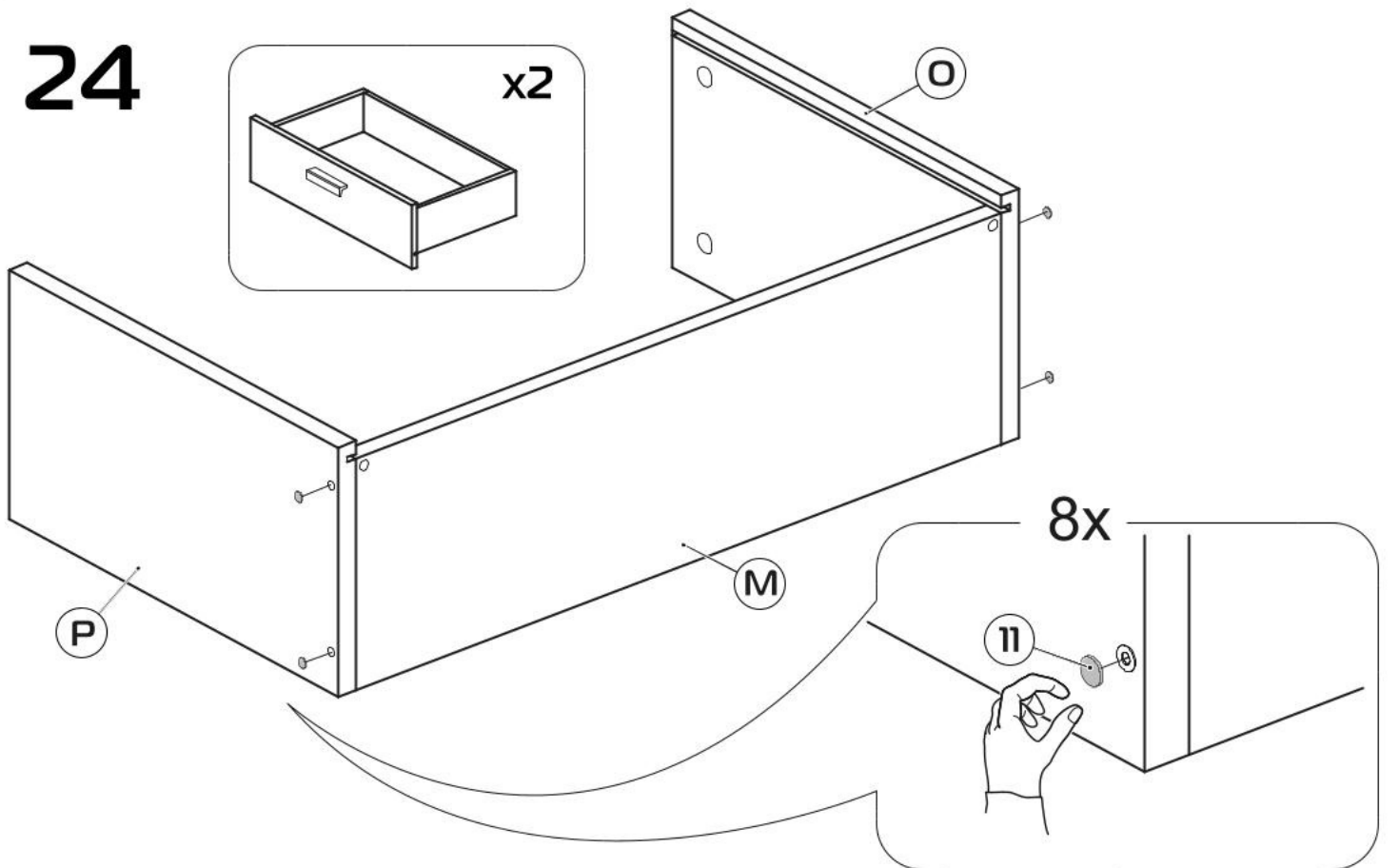
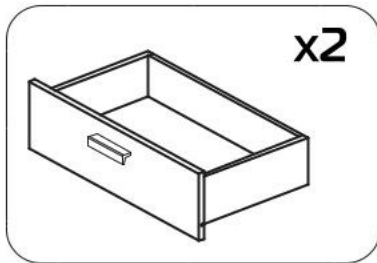
128 MM

A3

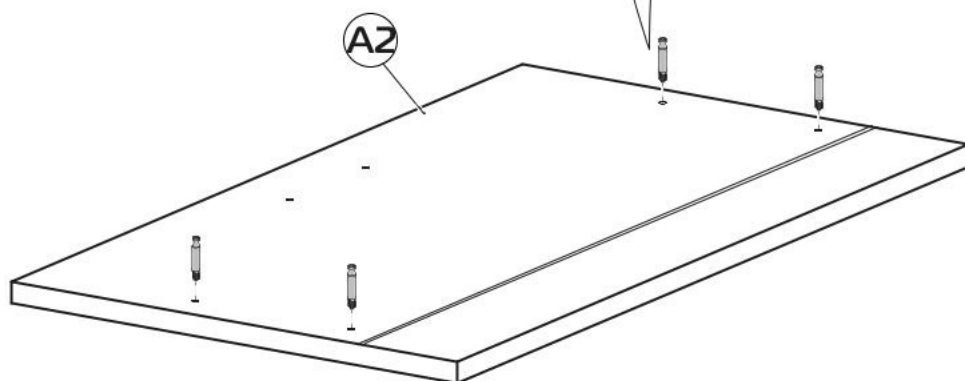
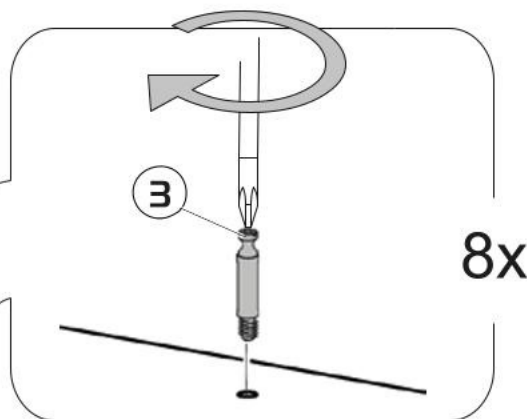
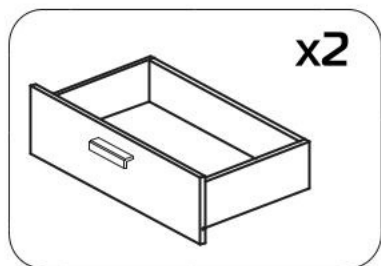
23



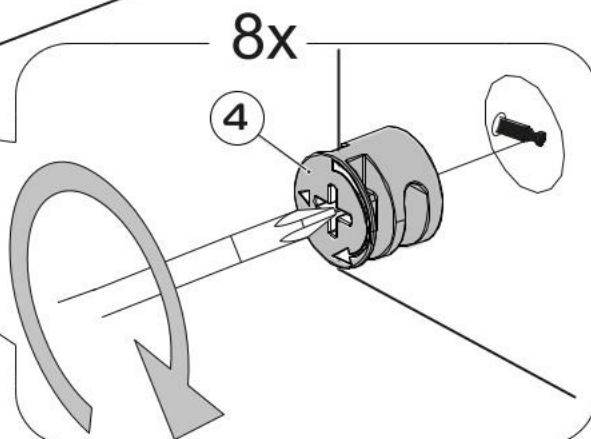
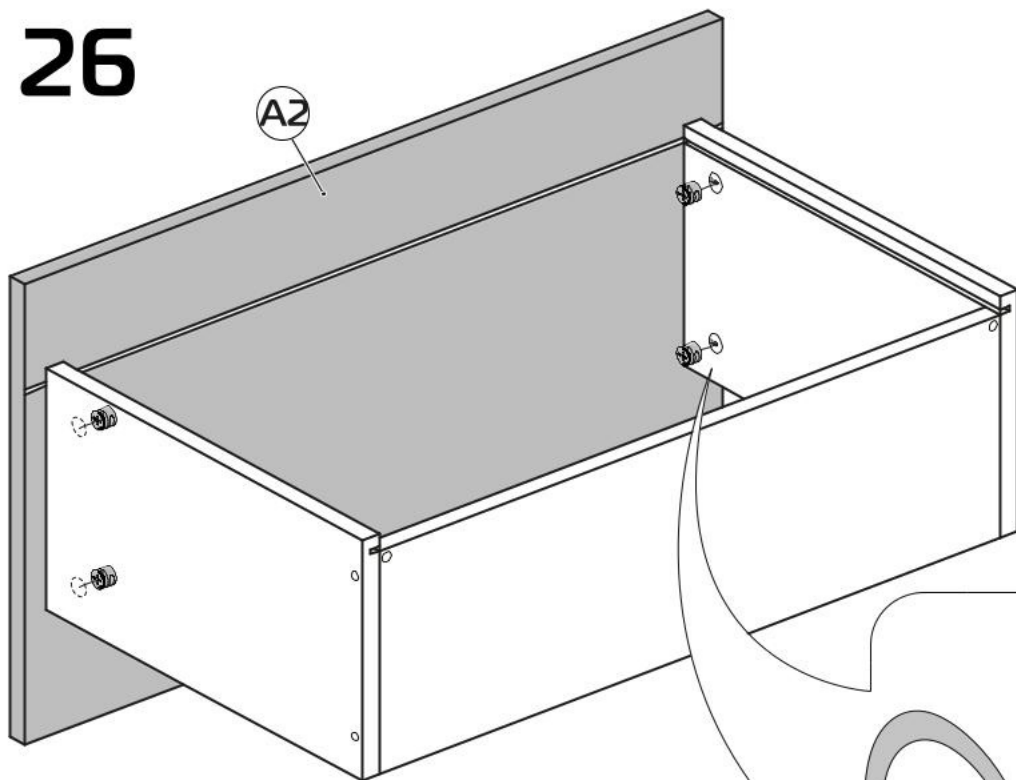
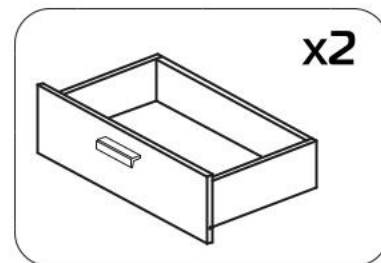
24



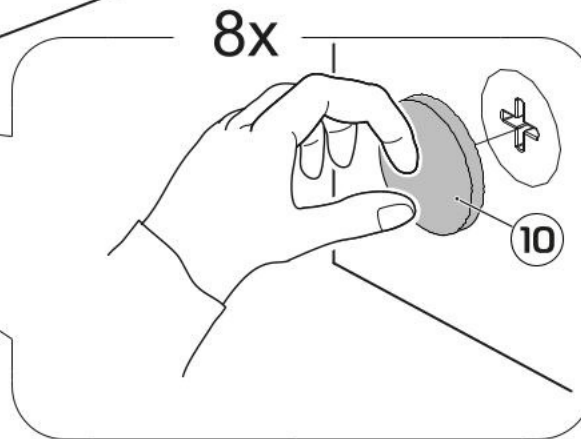
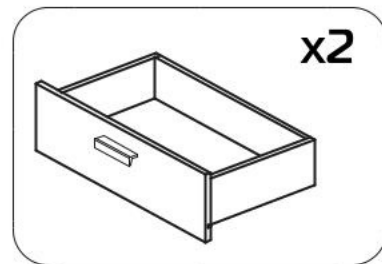
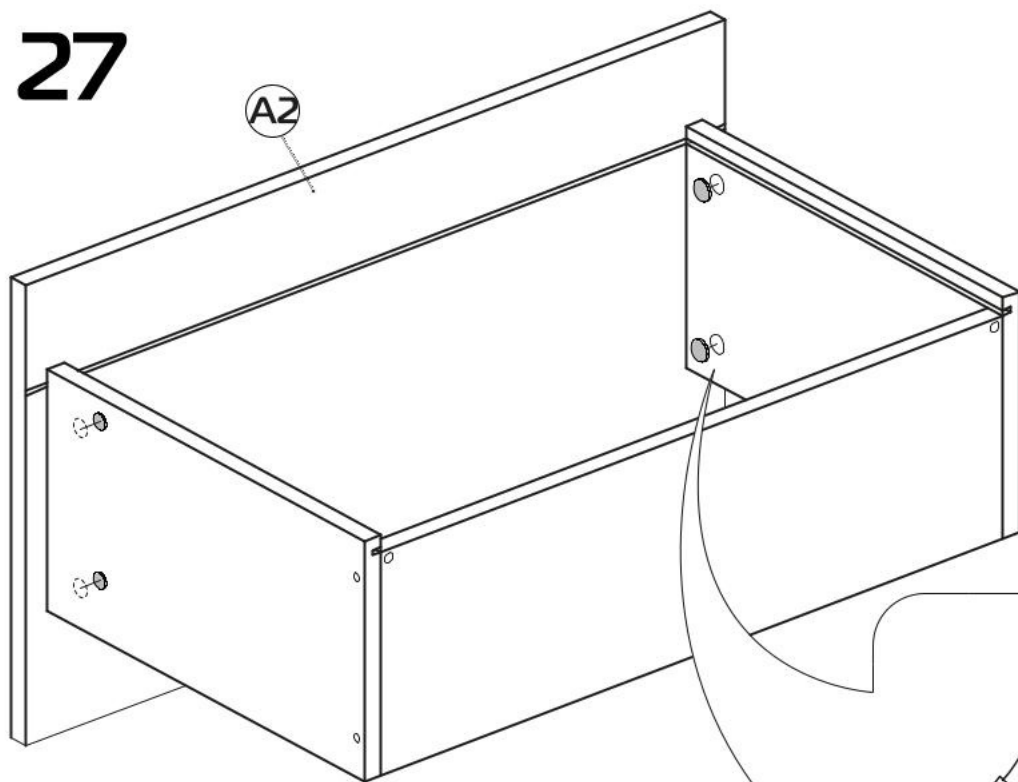
25



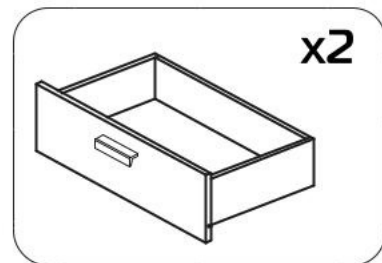
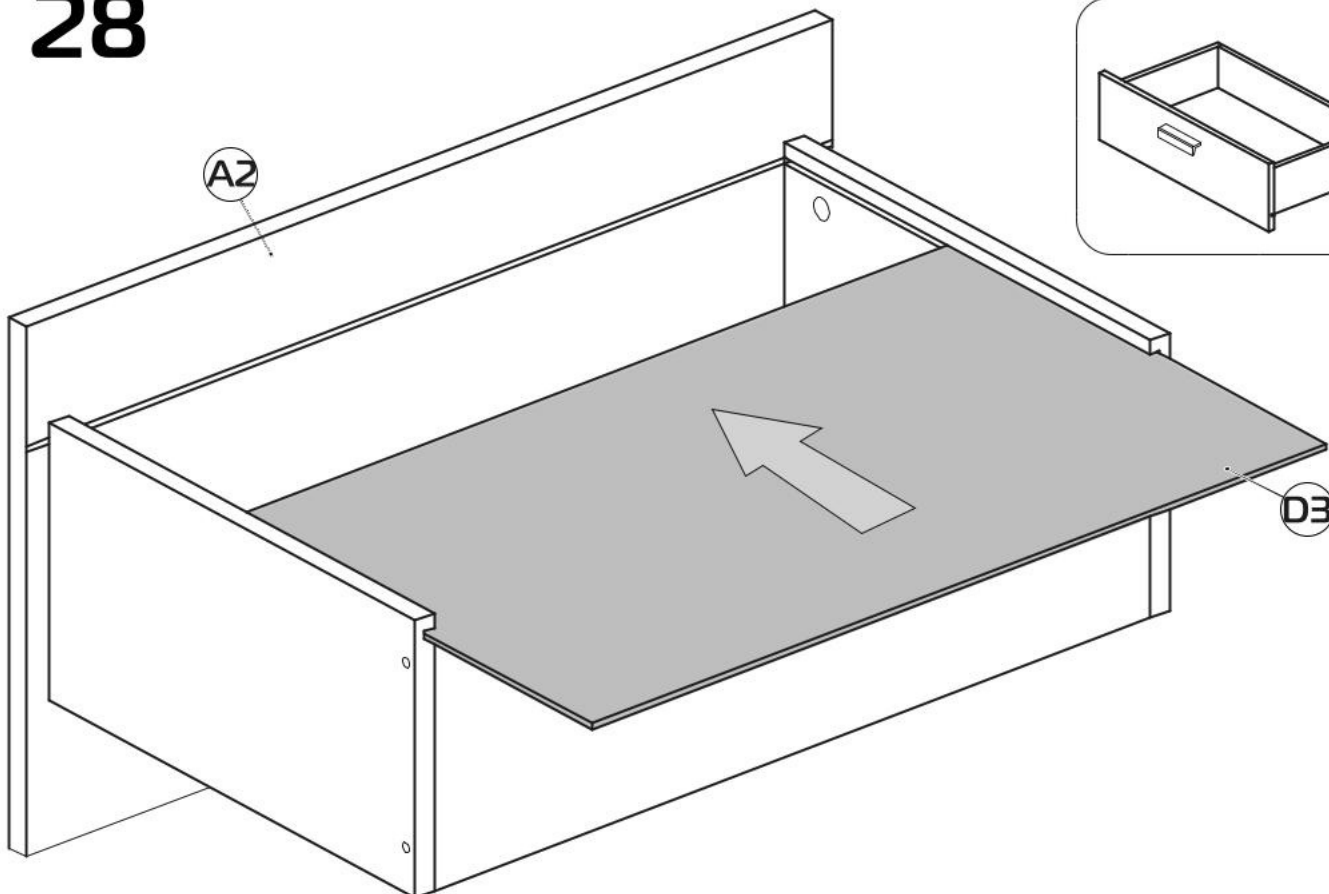
26



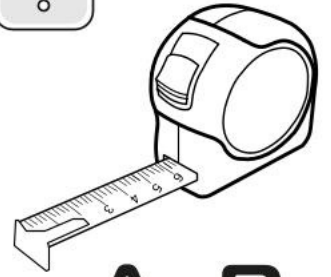
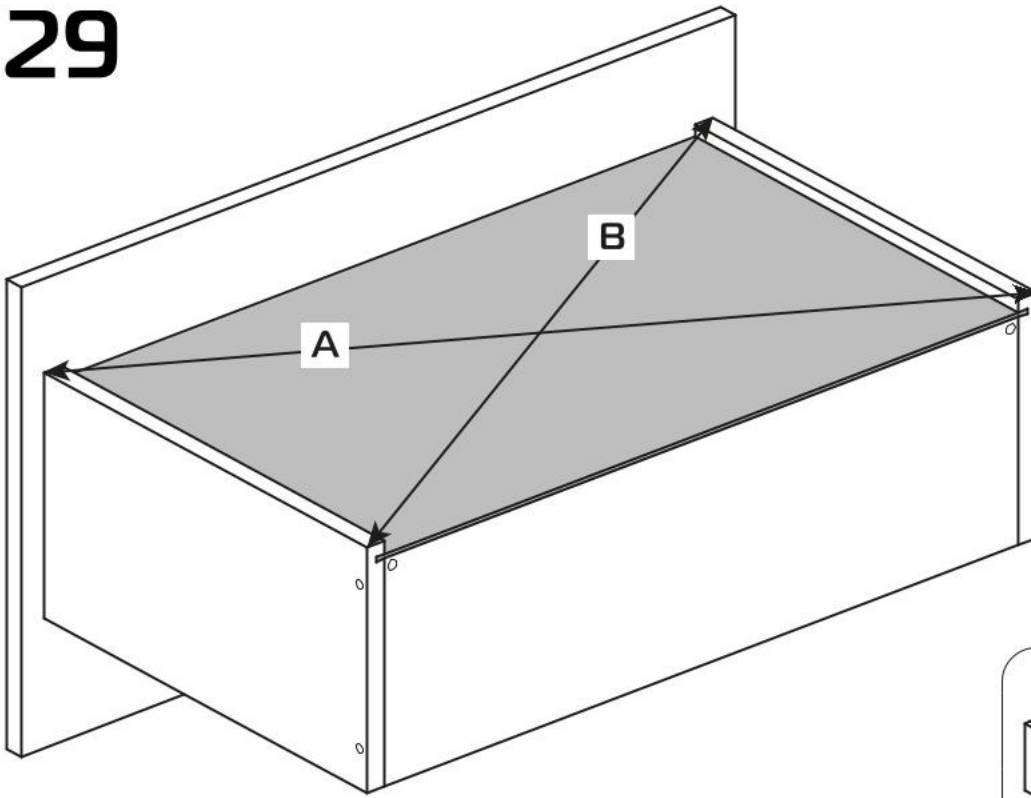
27



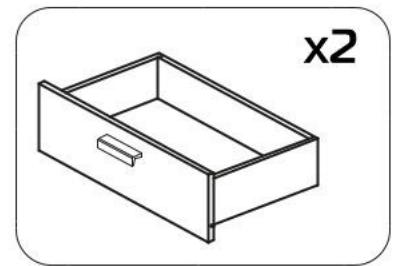
28



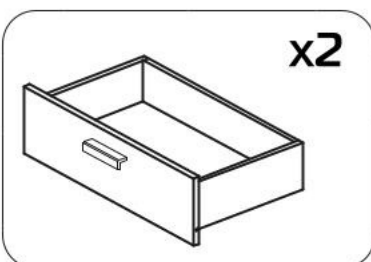
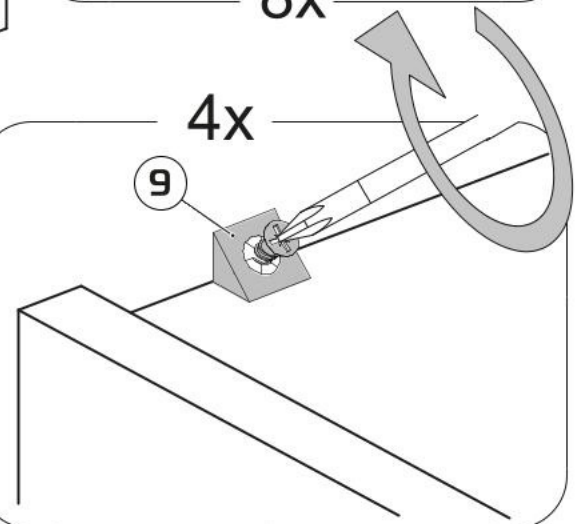
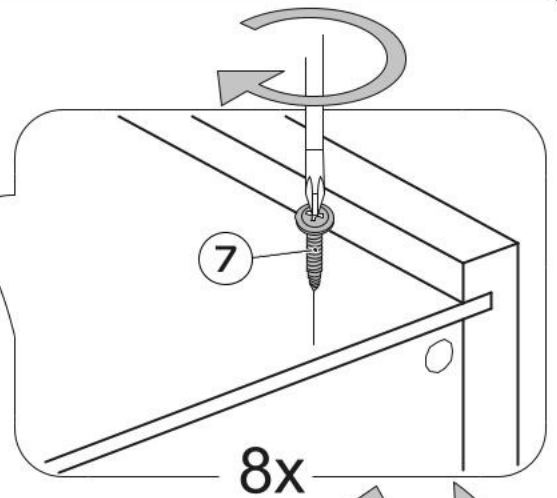
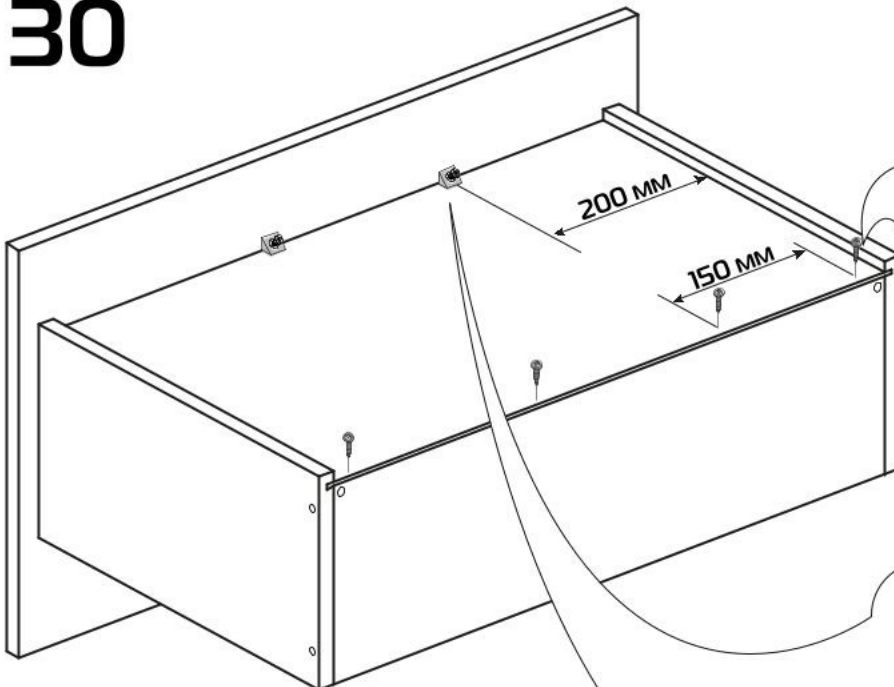
29



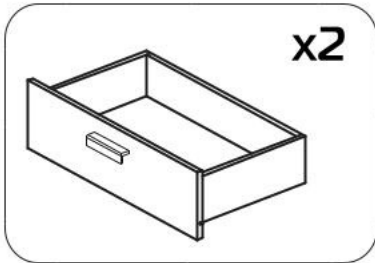
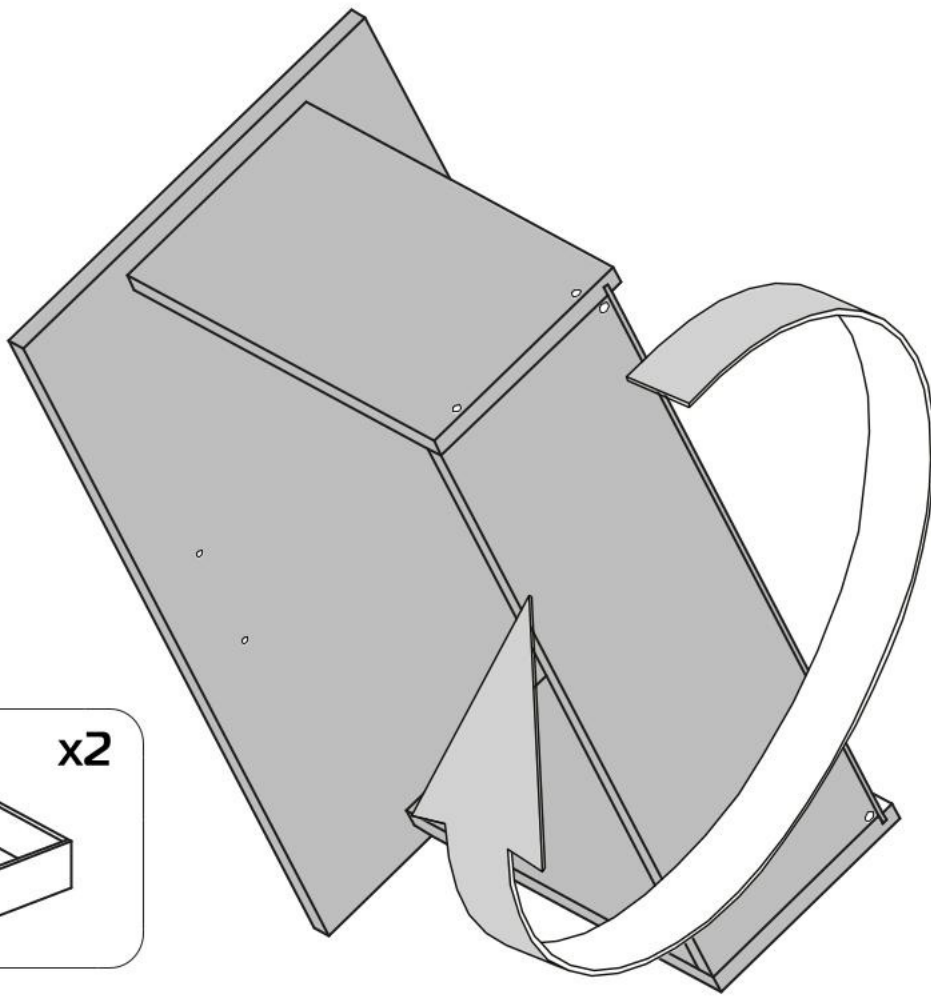
A=B



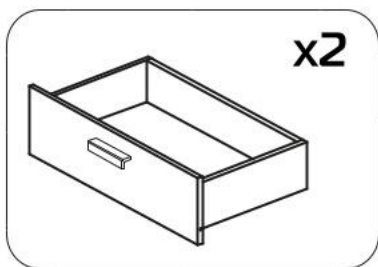
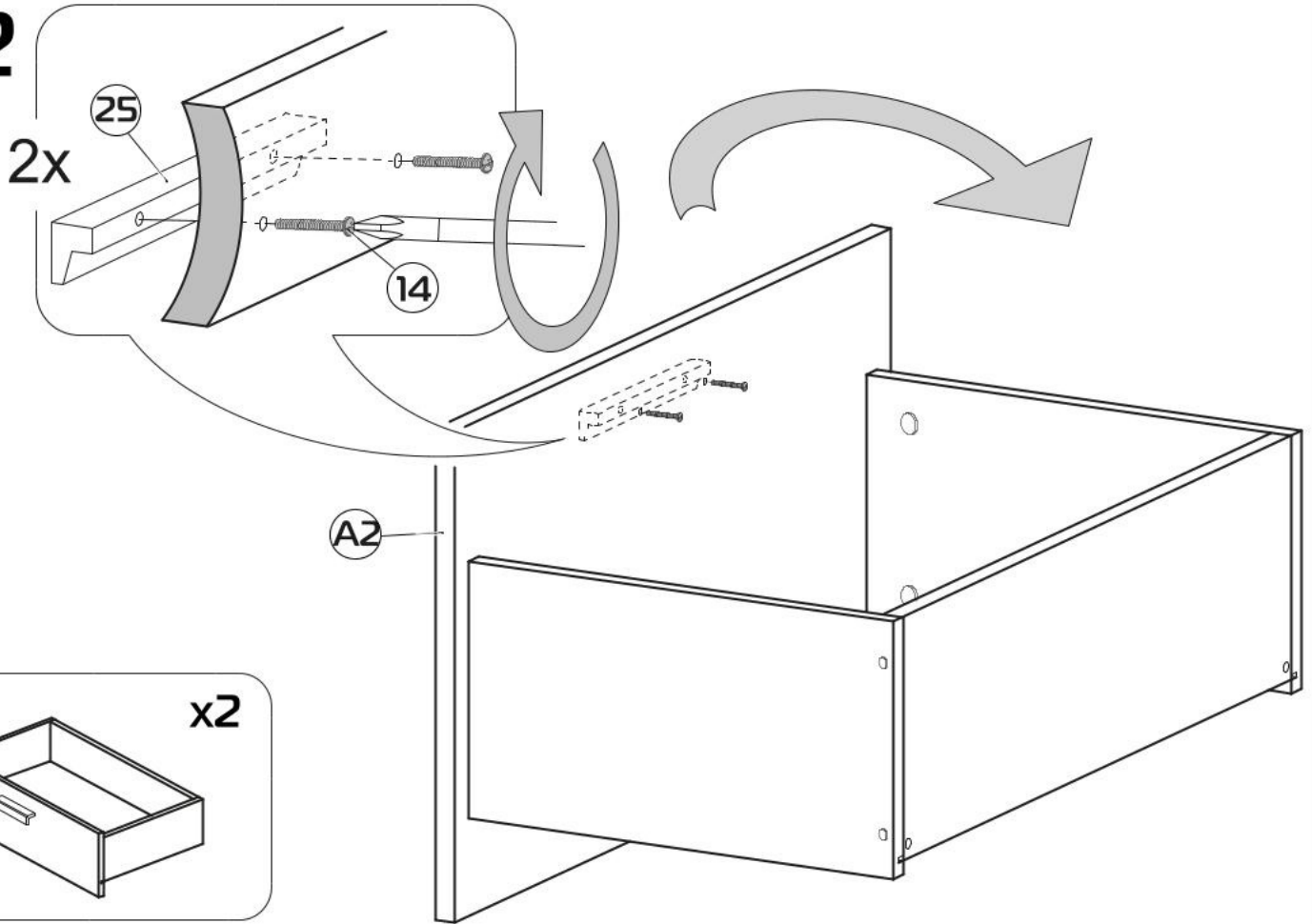
30



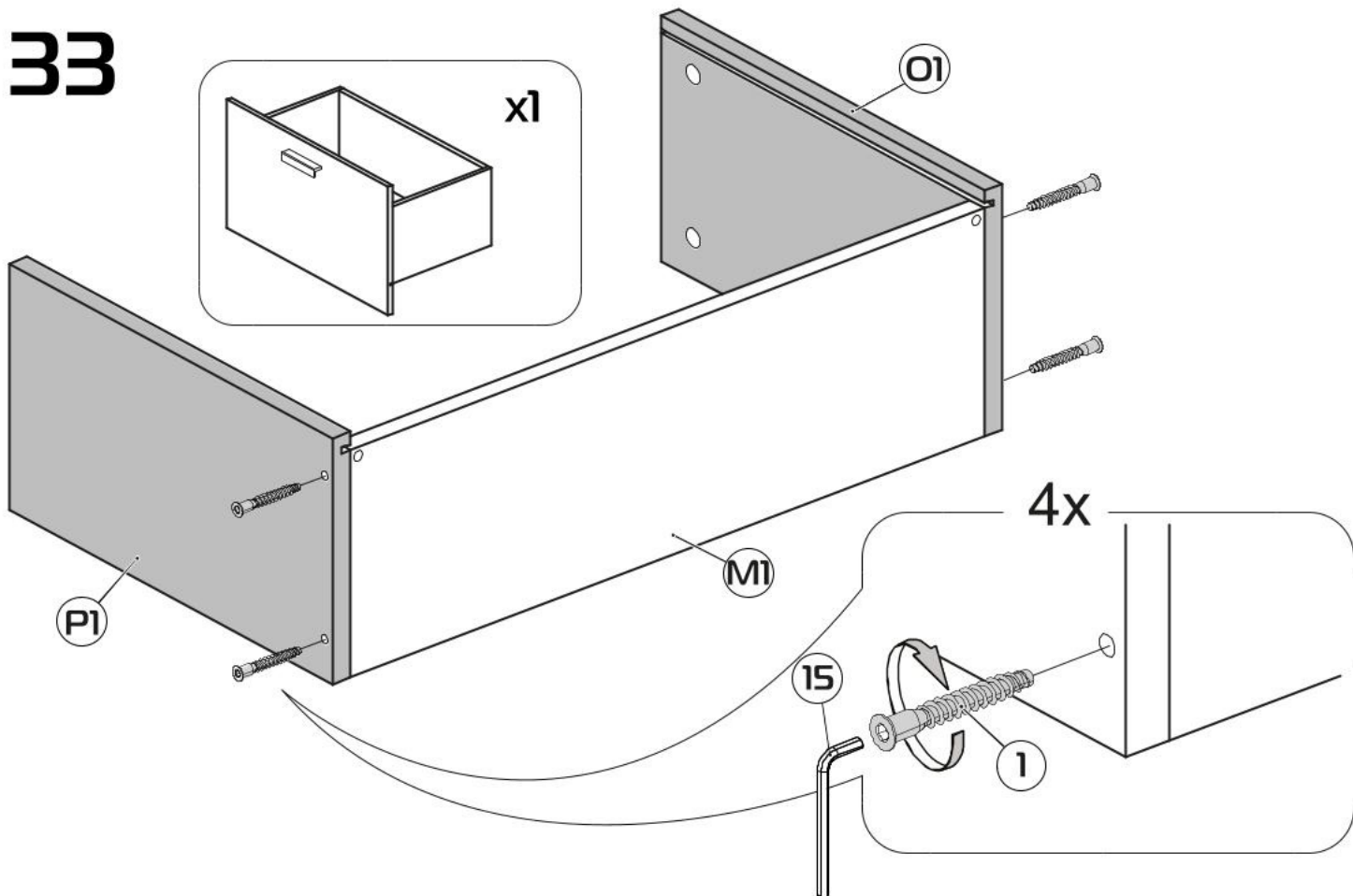
31



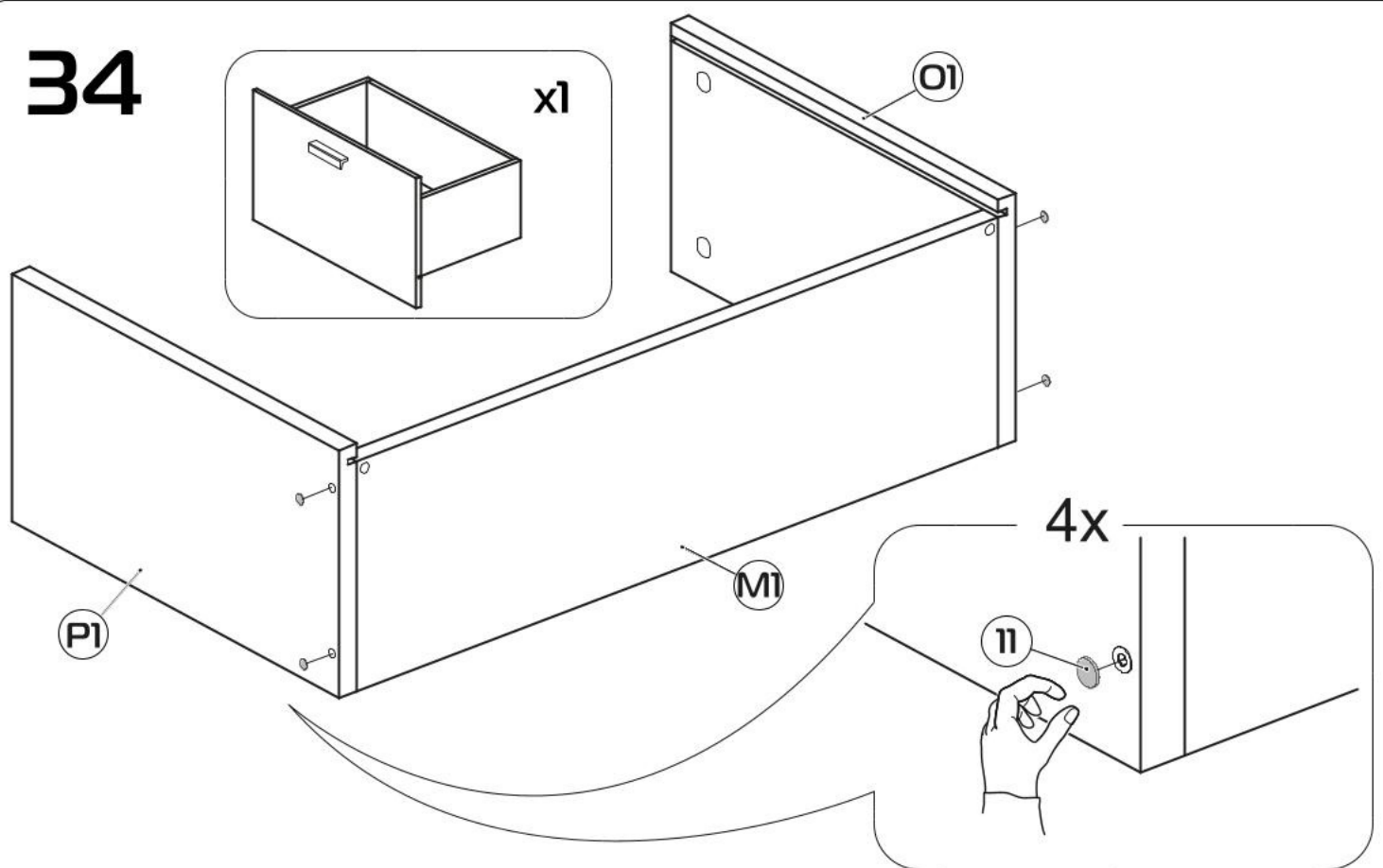
32



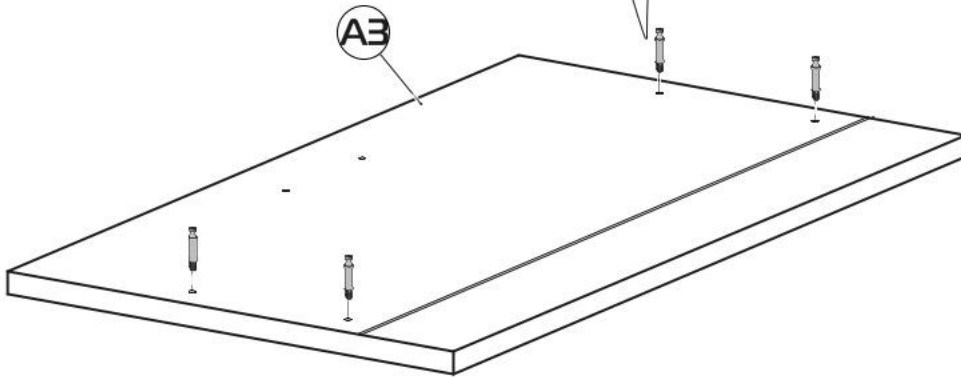
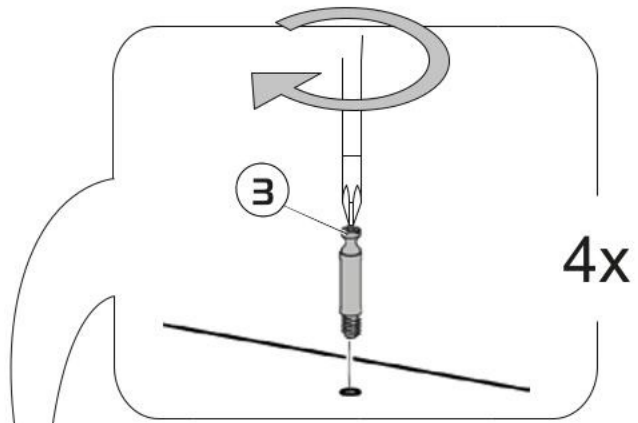
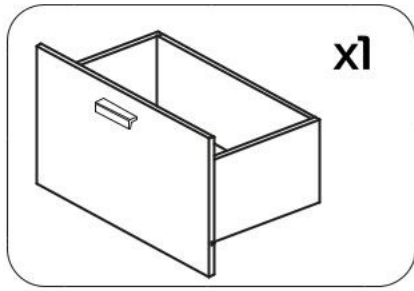
33



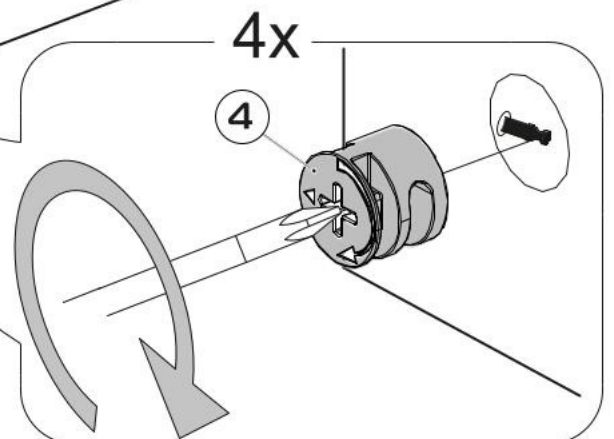
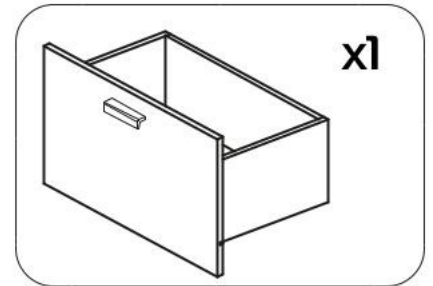
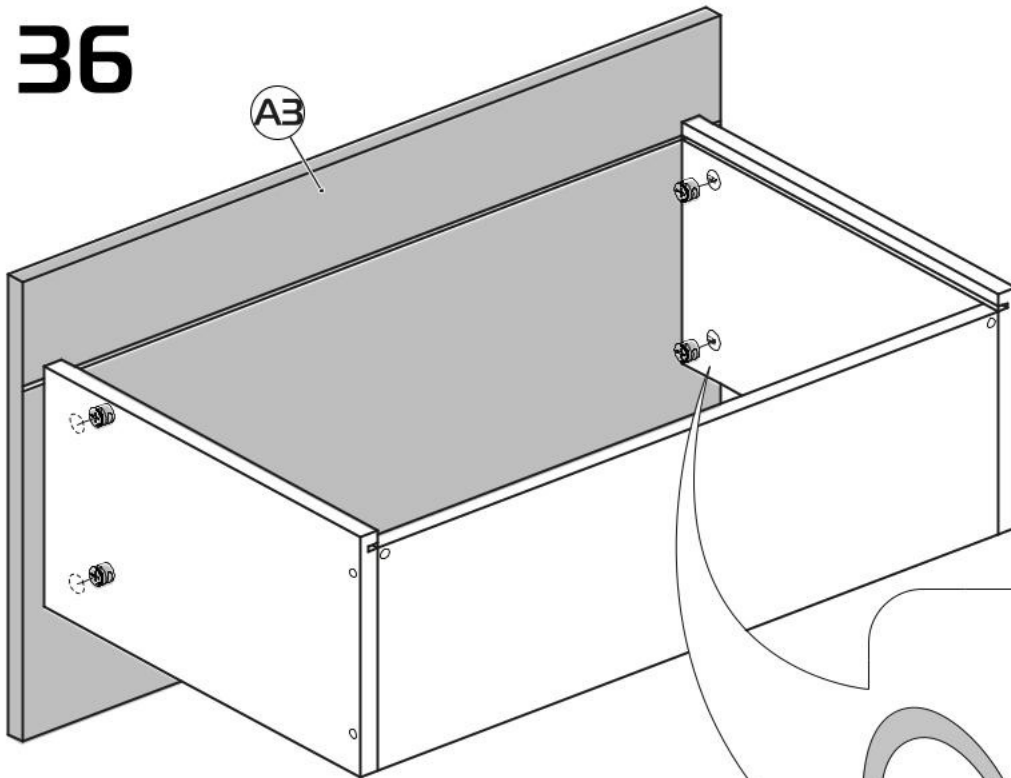
34



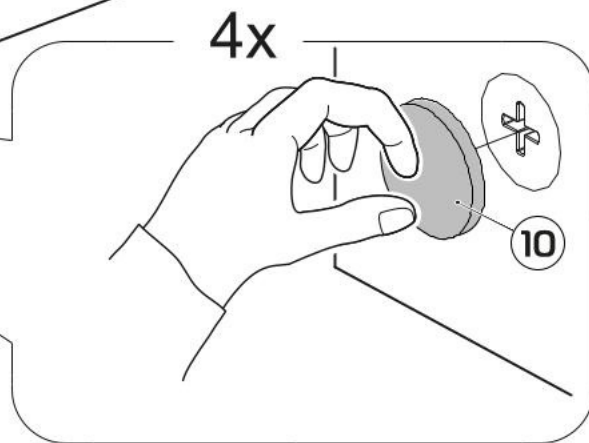
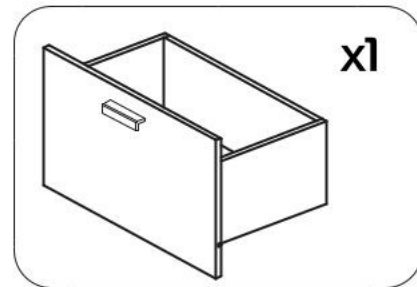
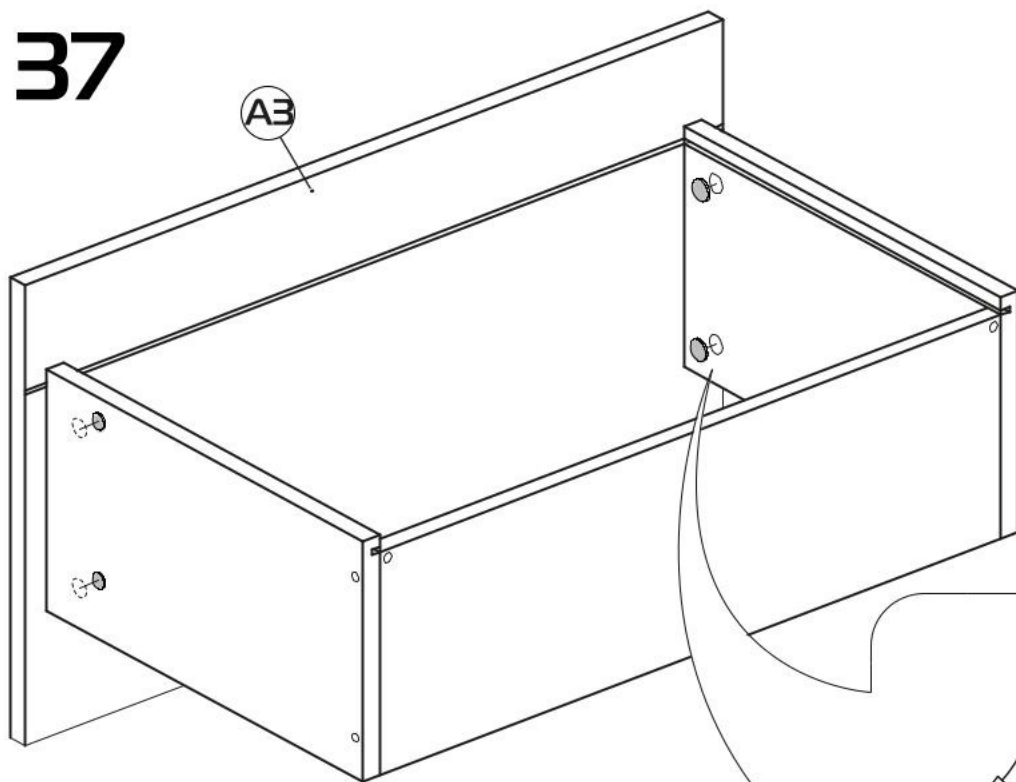
35



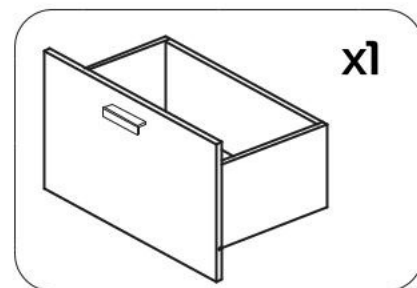
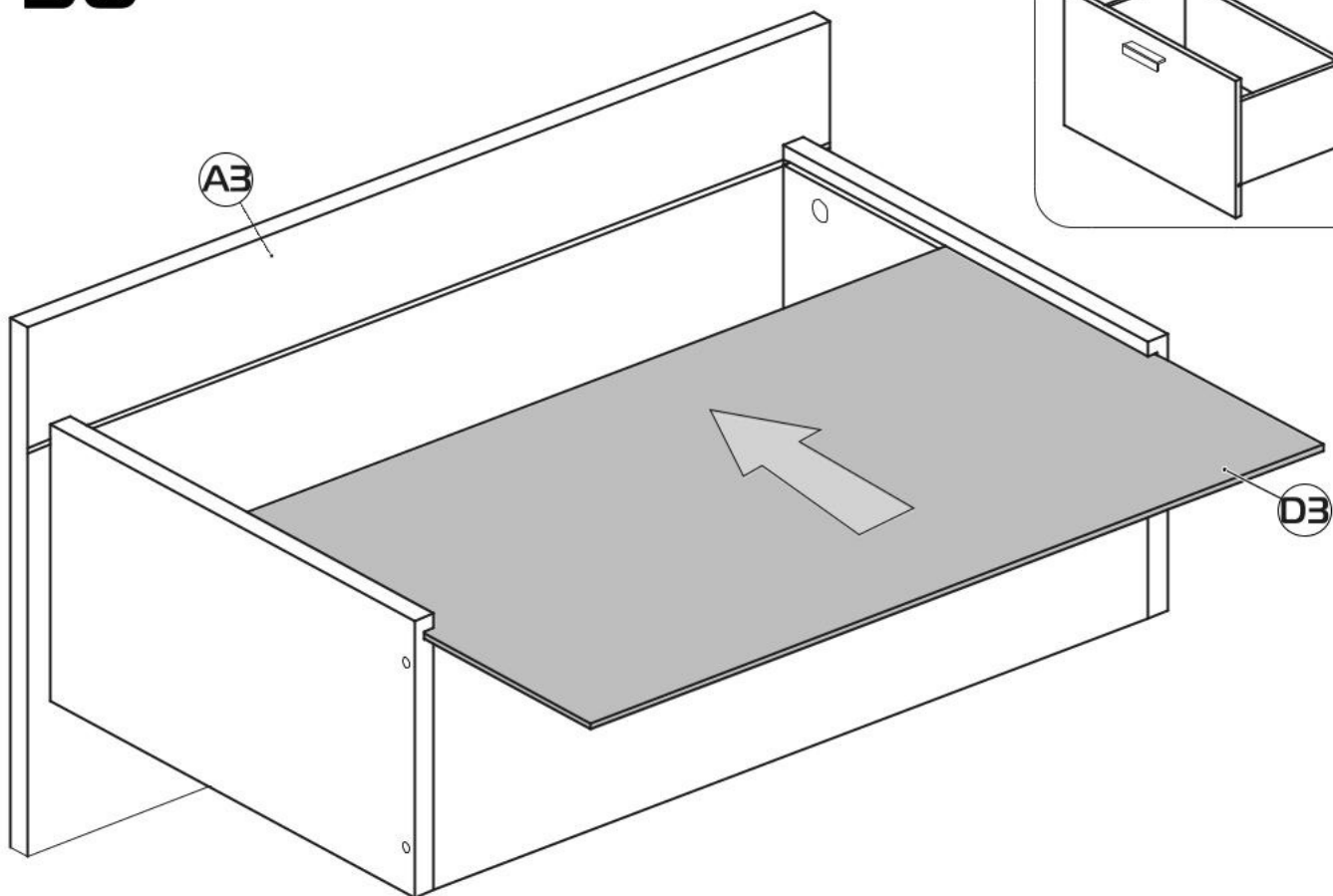
36



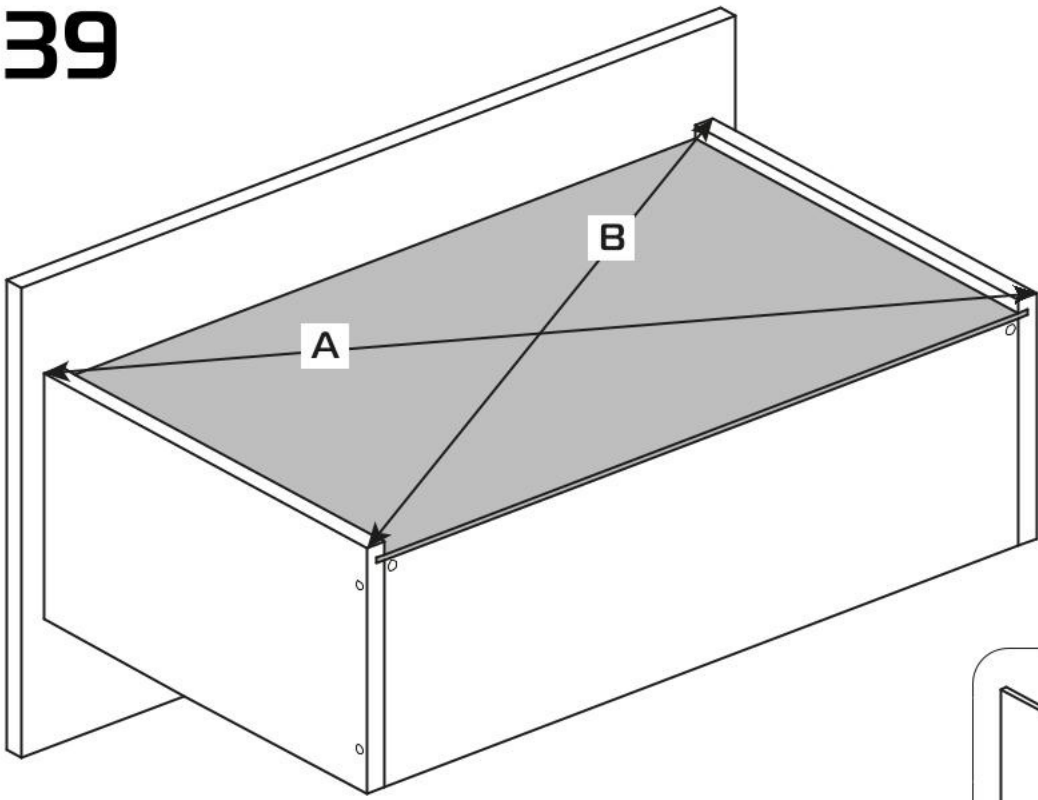
37



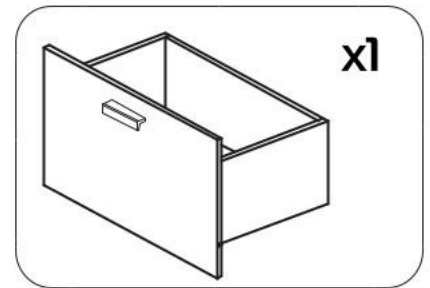
38



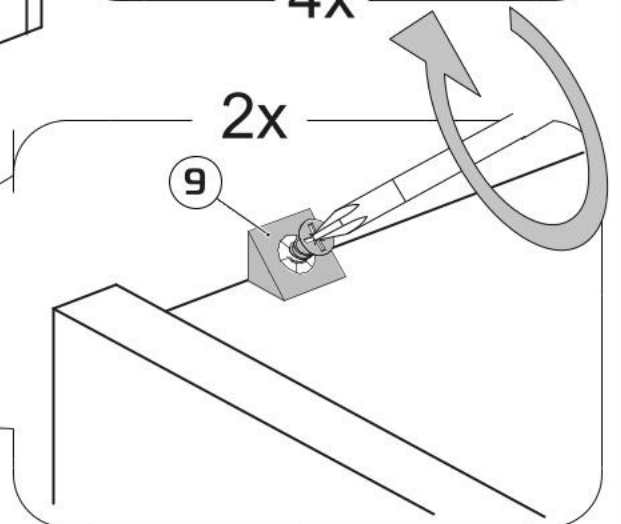
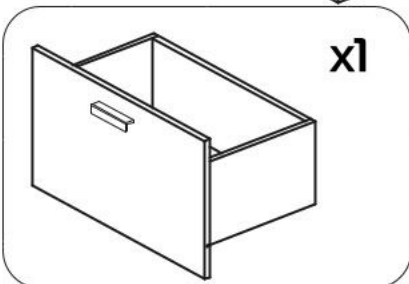
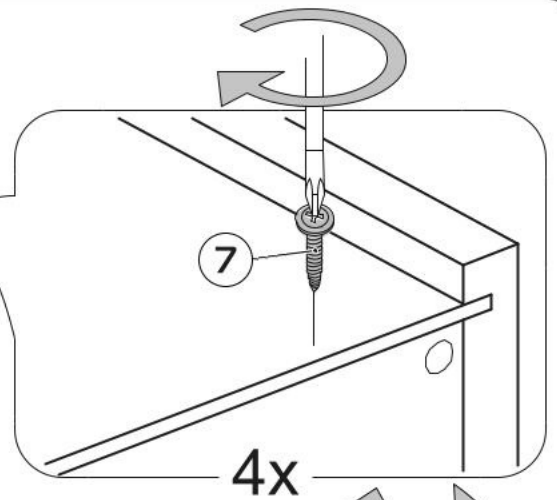
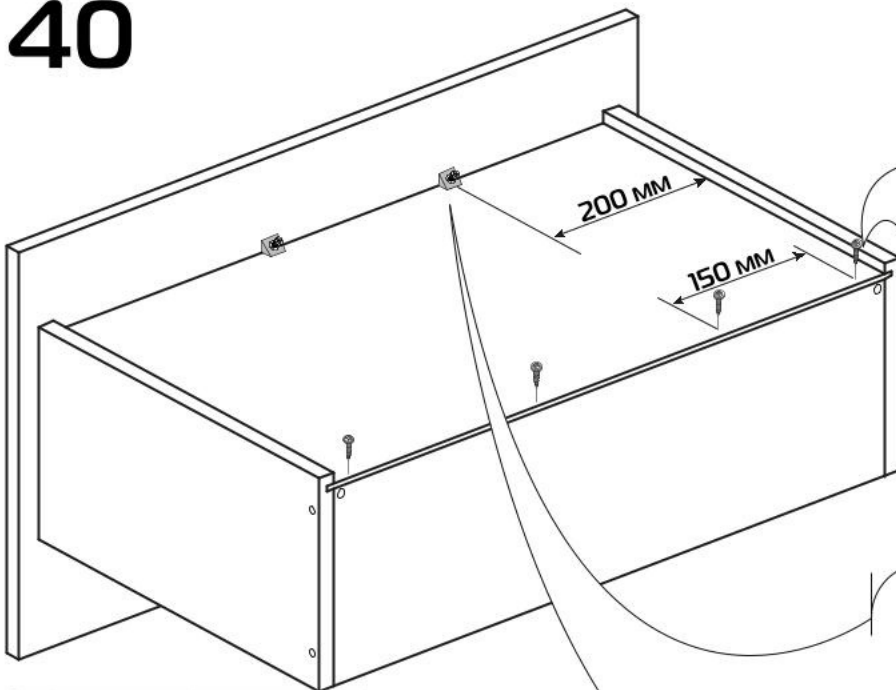
39



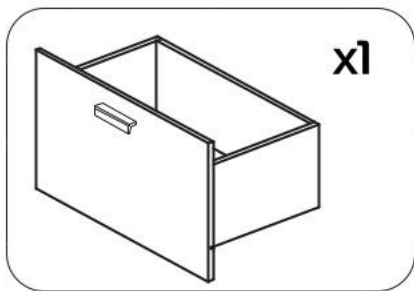
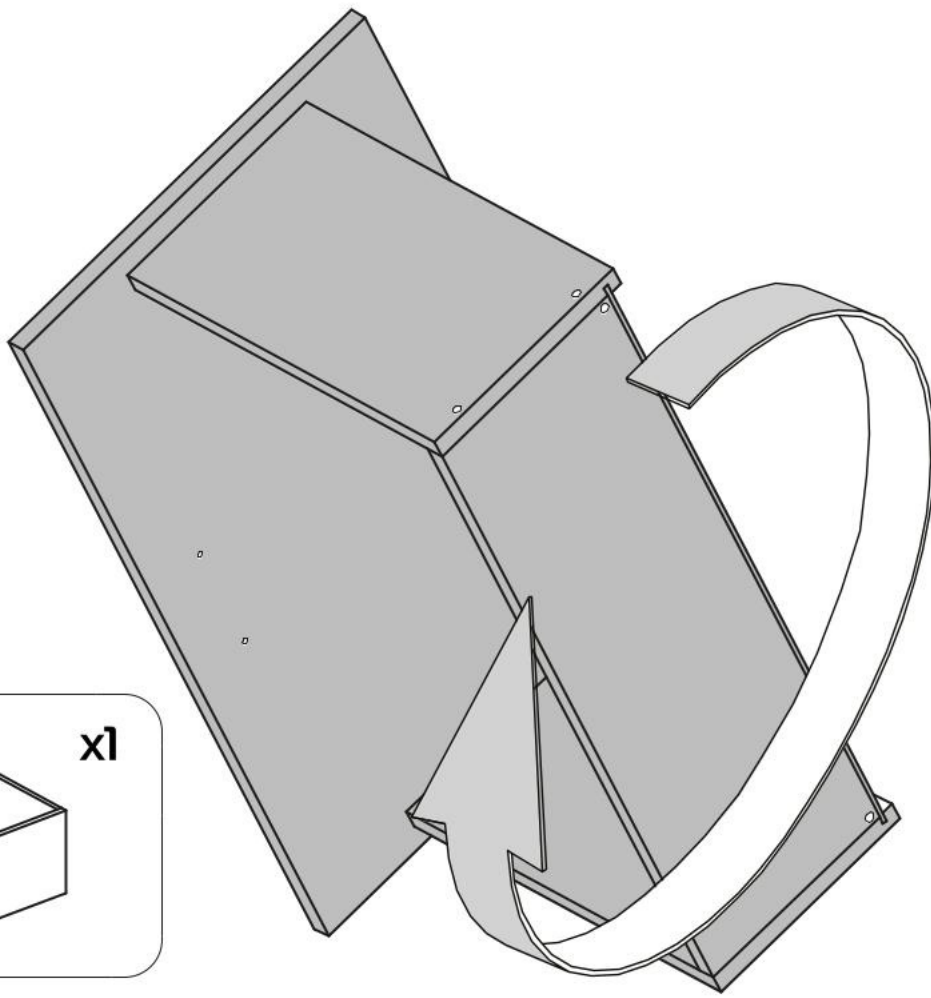
A=B



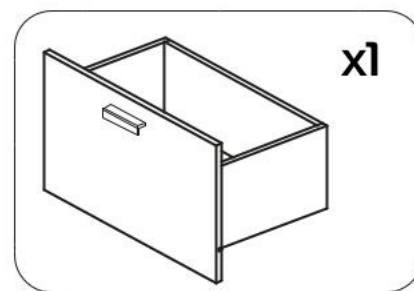
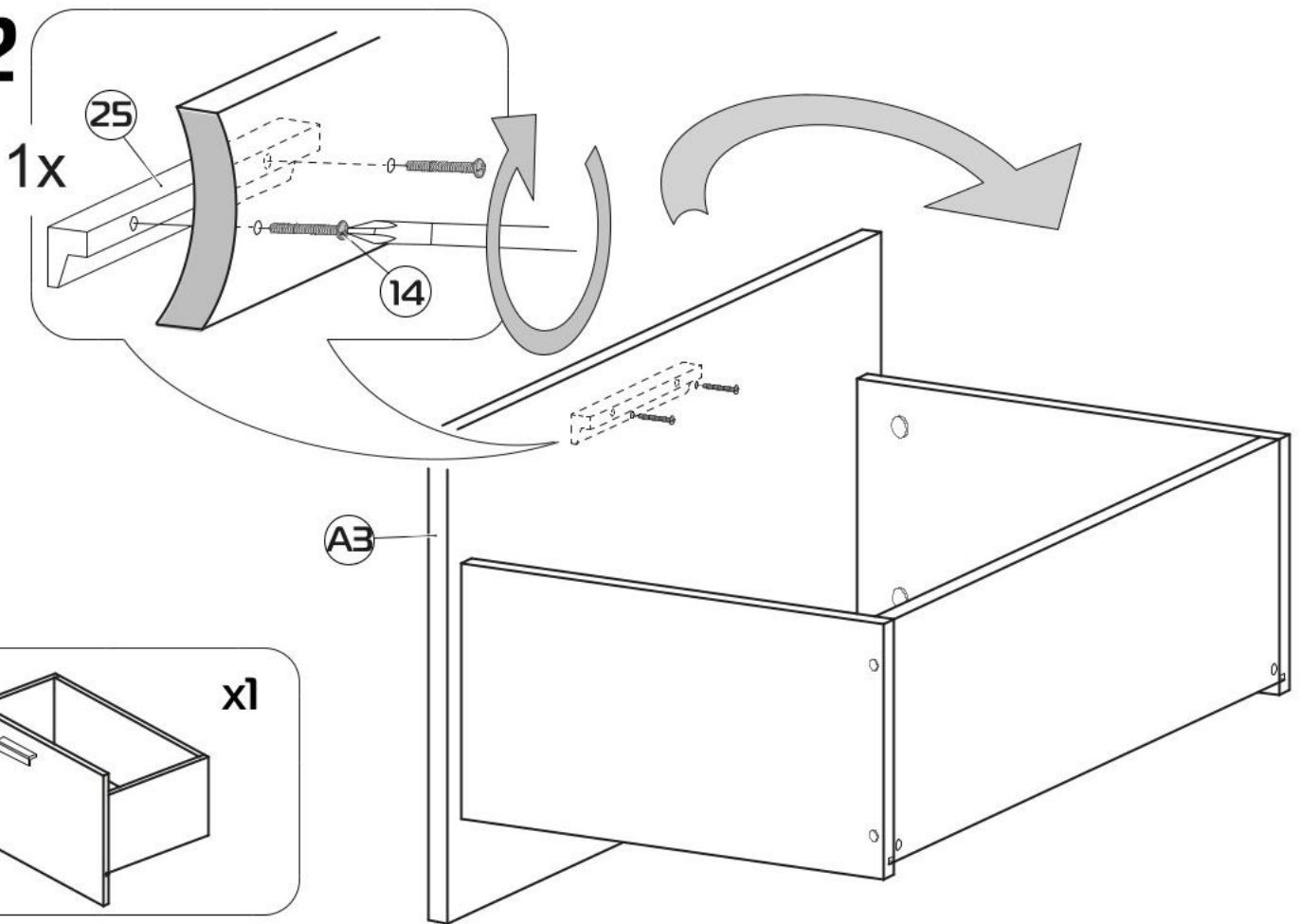
40



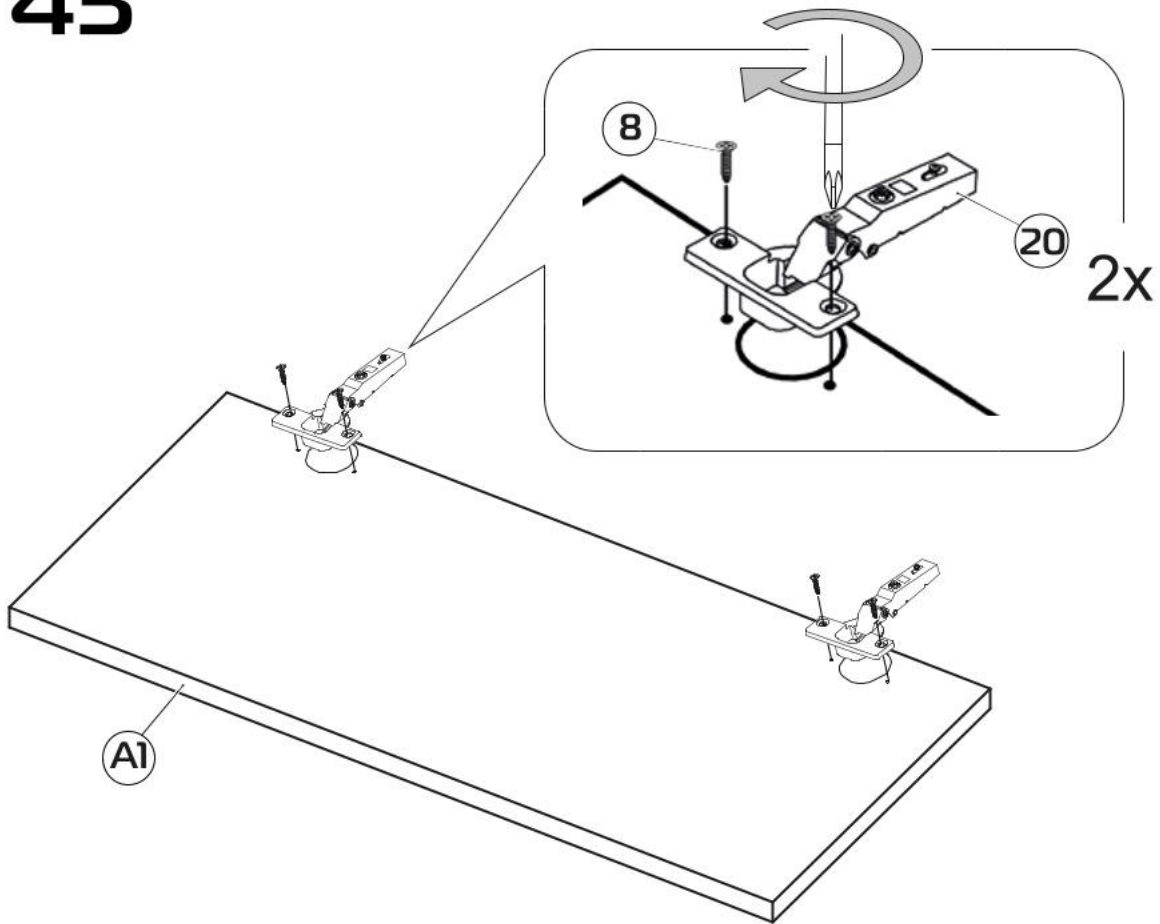
41



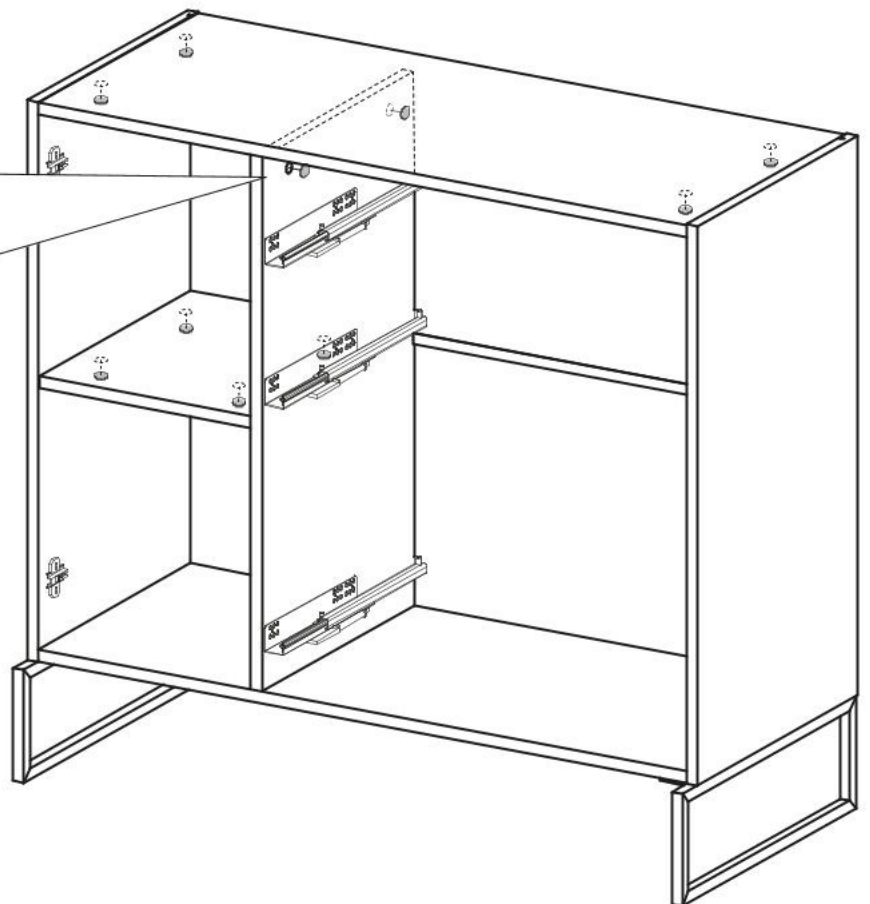
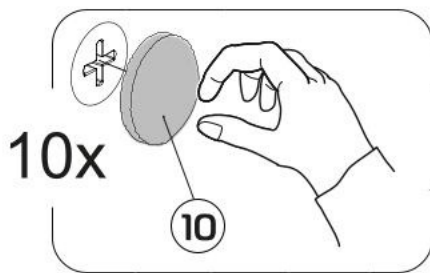
42

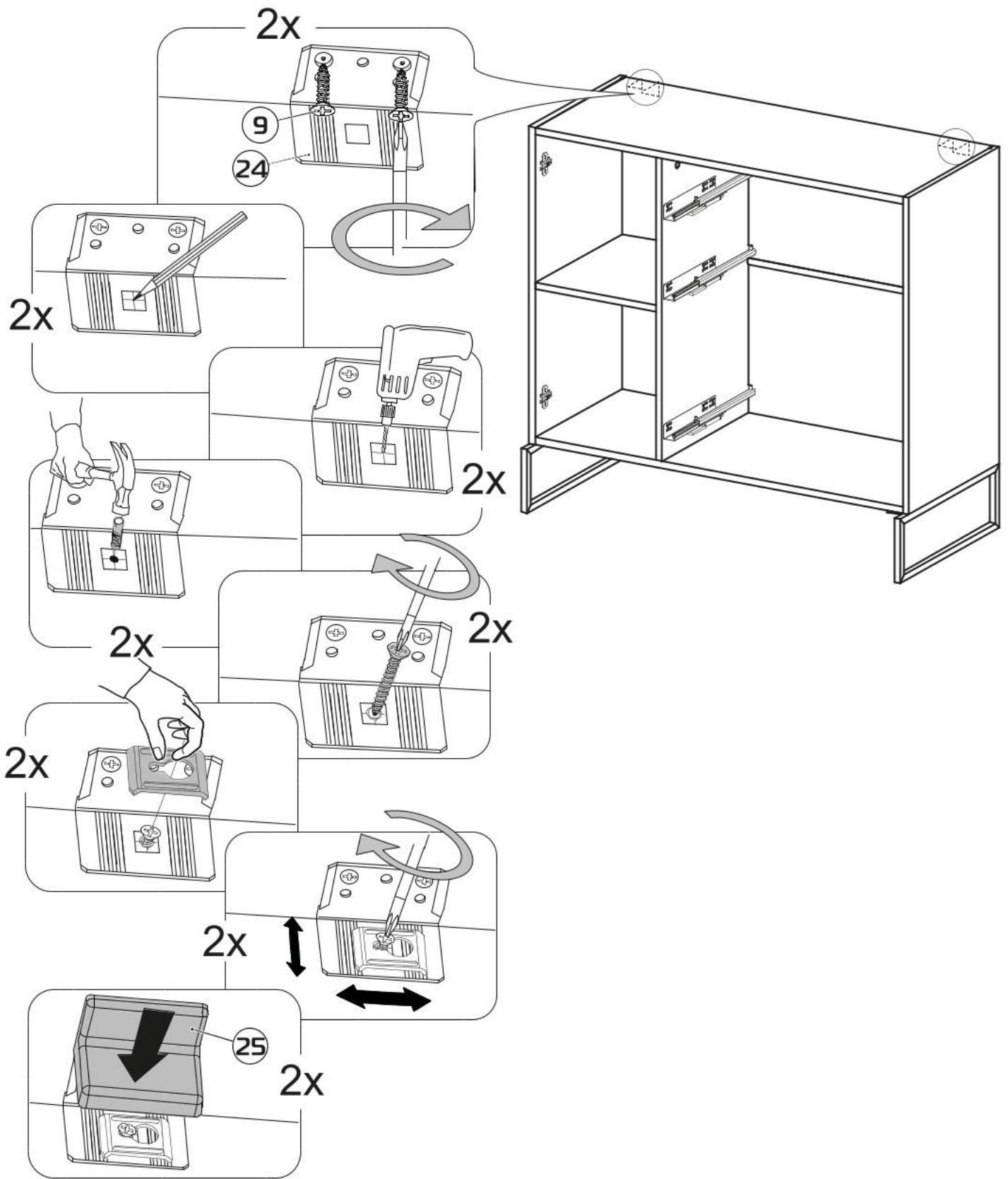


43

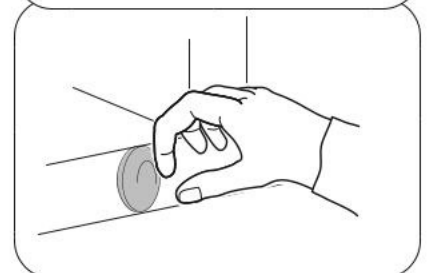
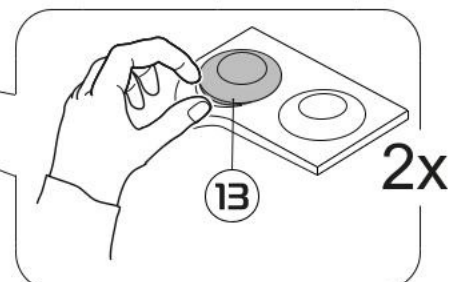
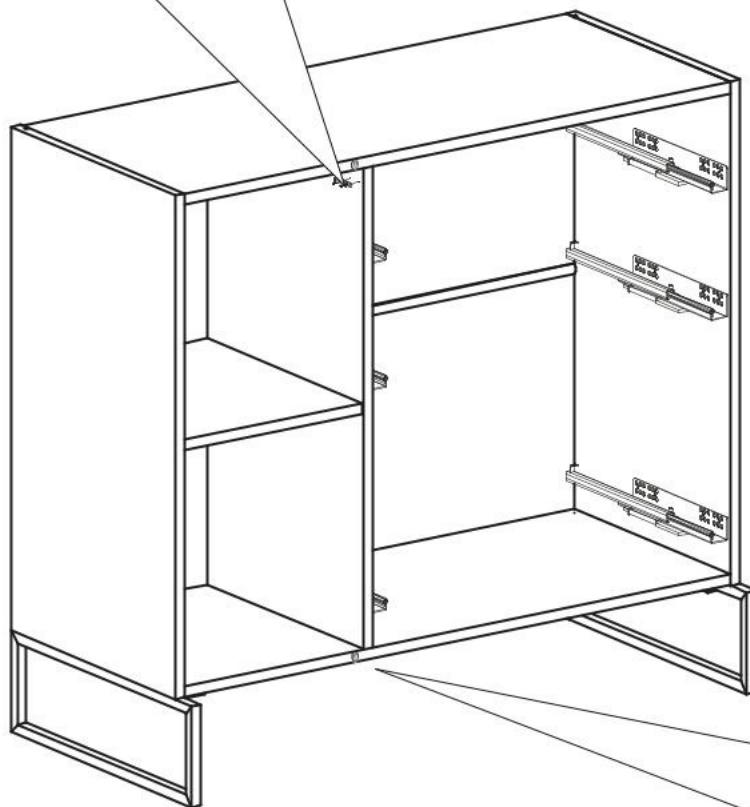
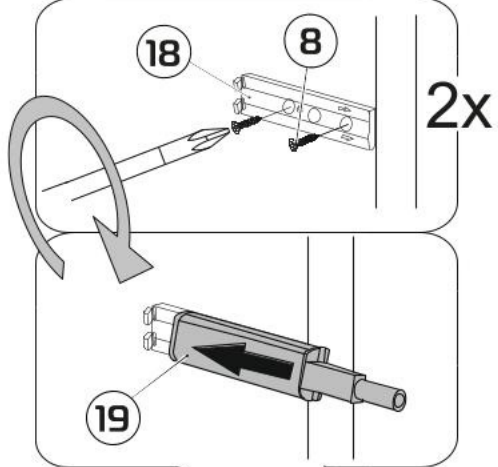
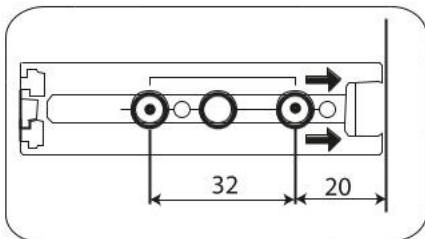


44

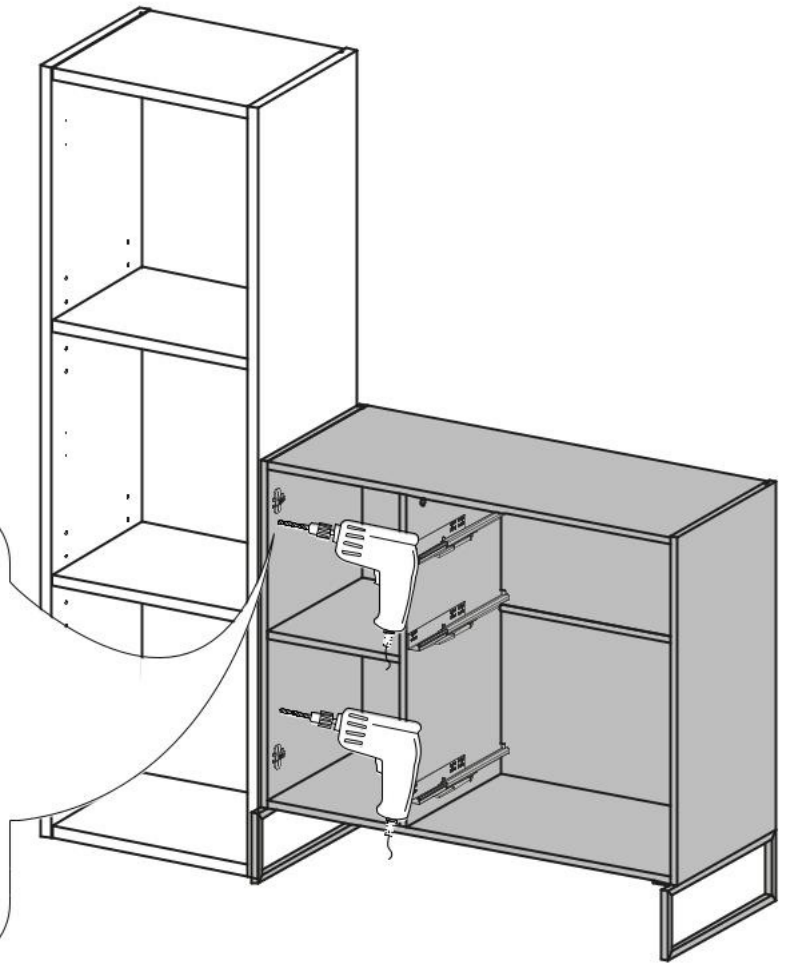
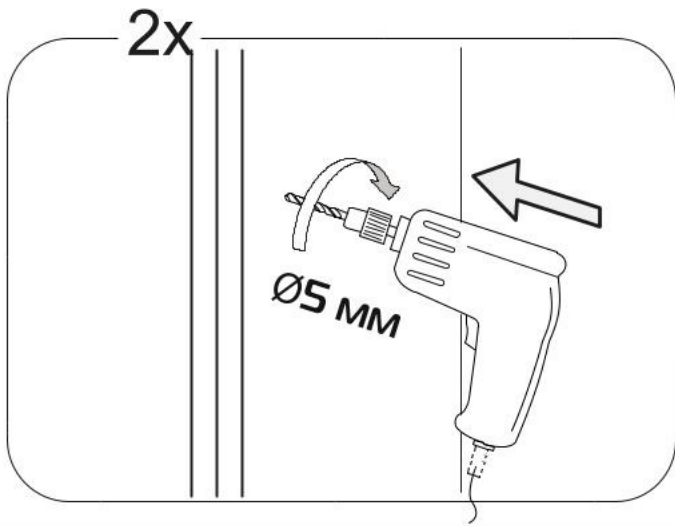




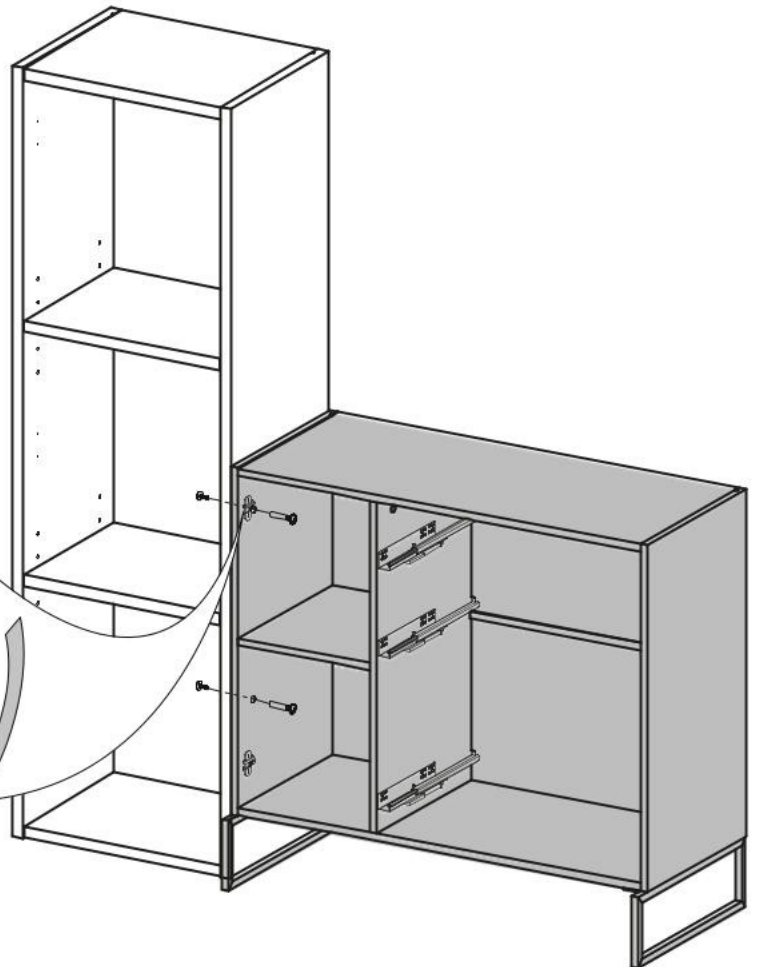
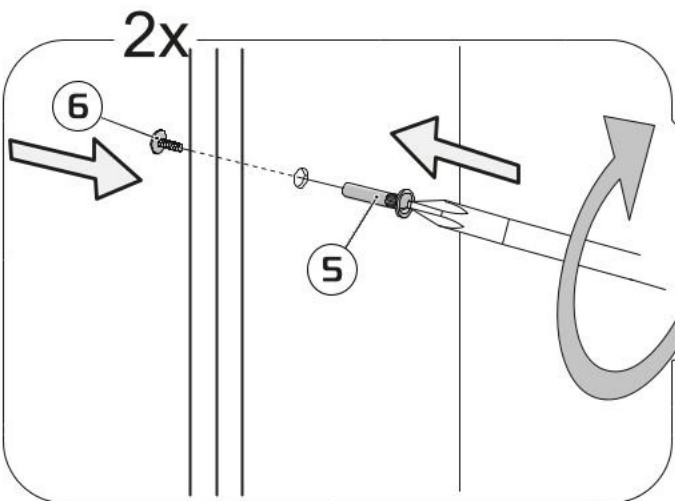
46



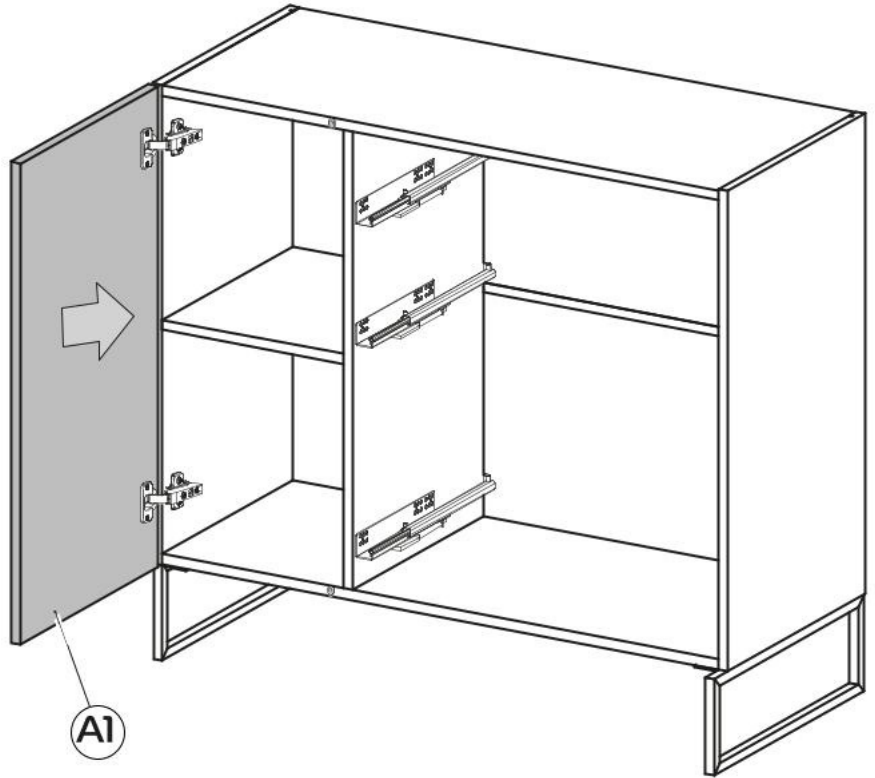
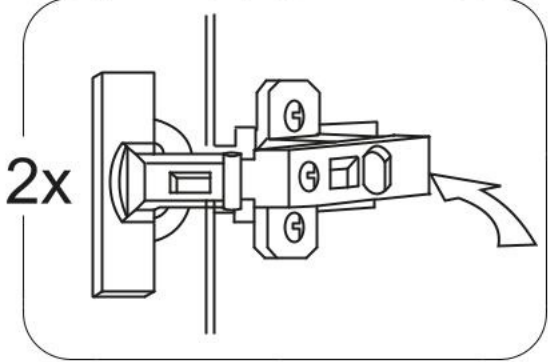
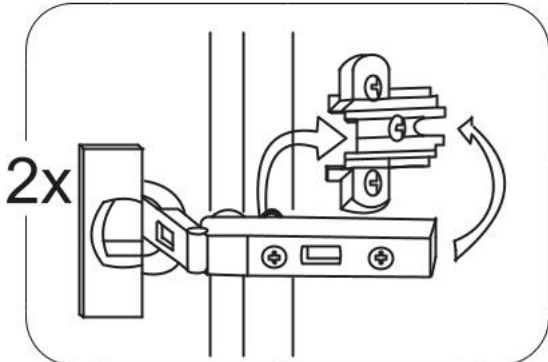
47



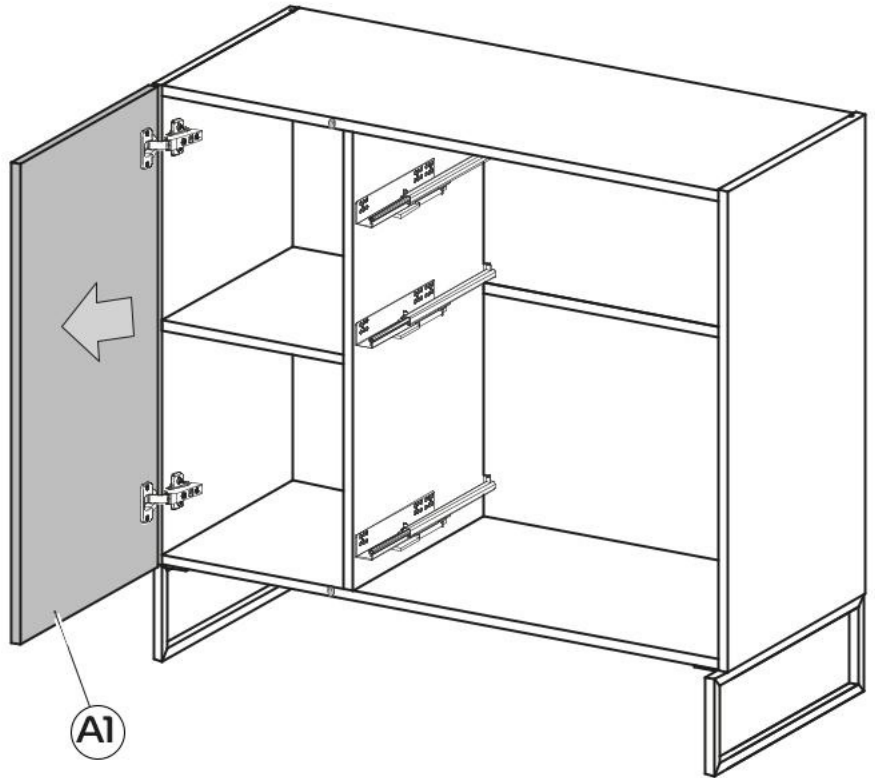
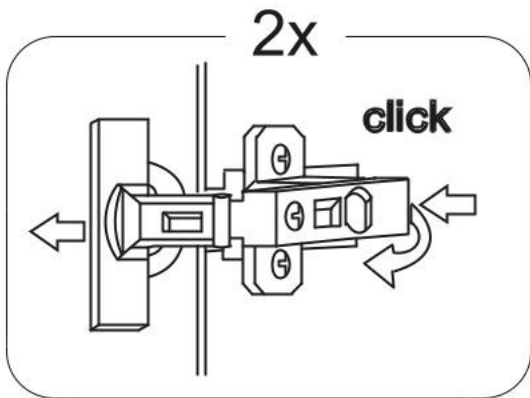
48



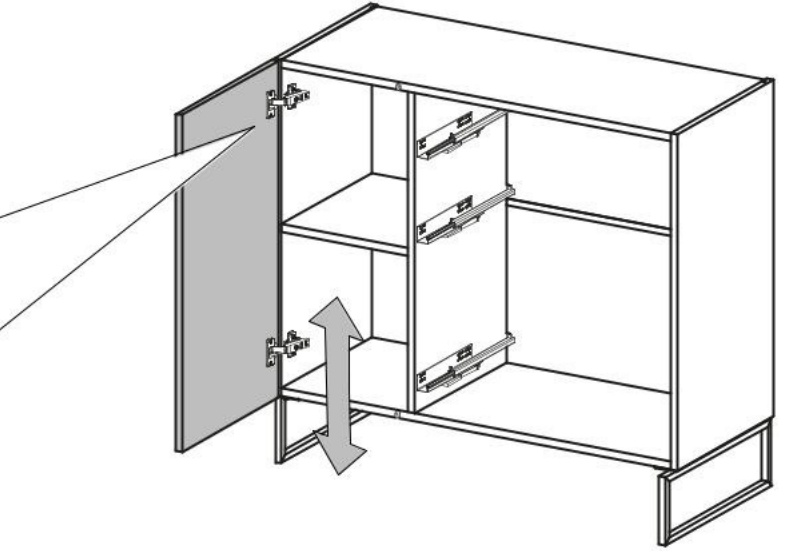
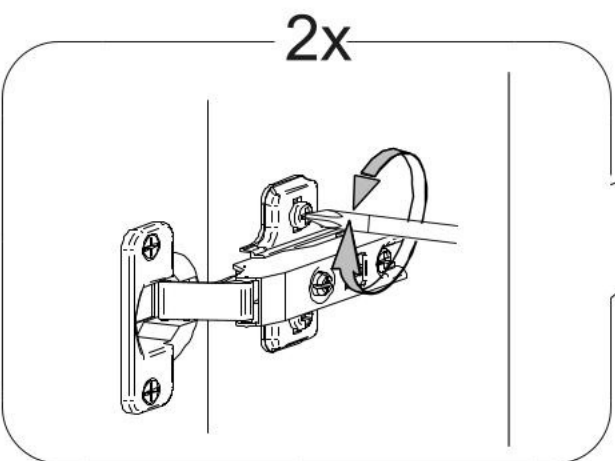
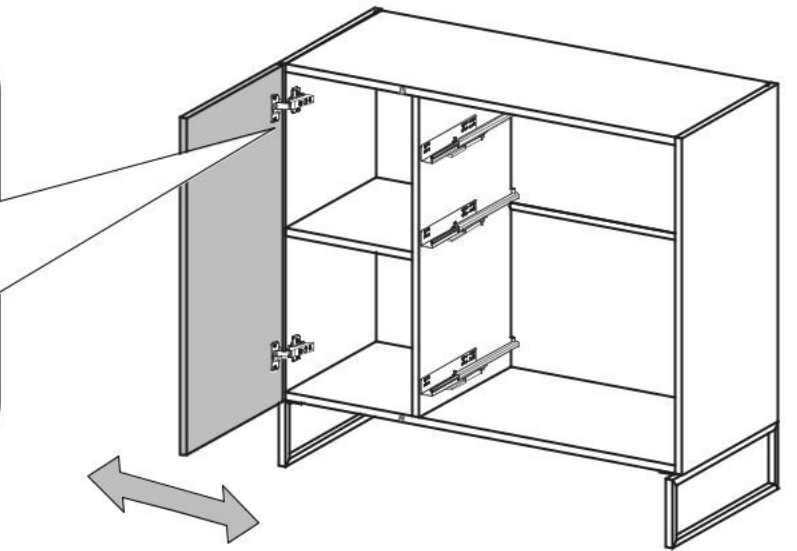
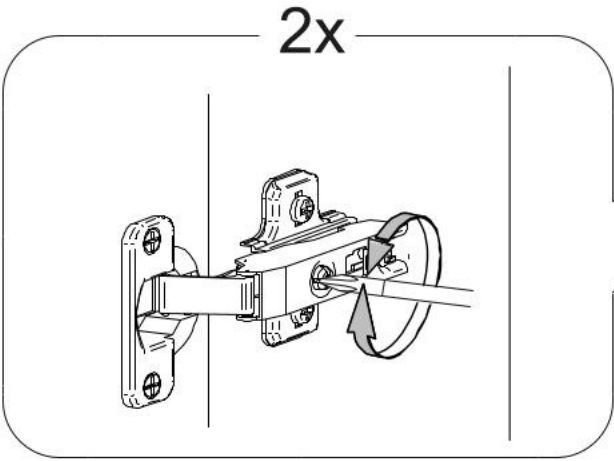
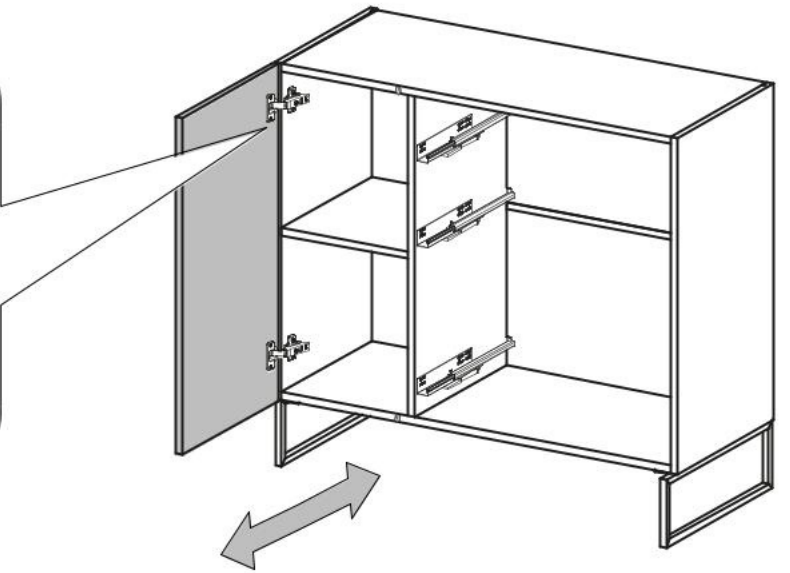
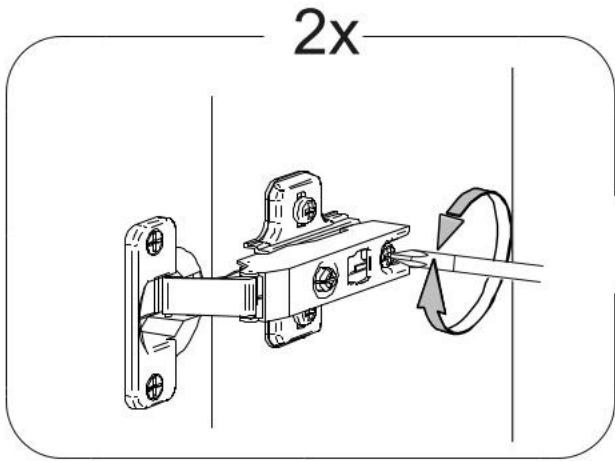
49



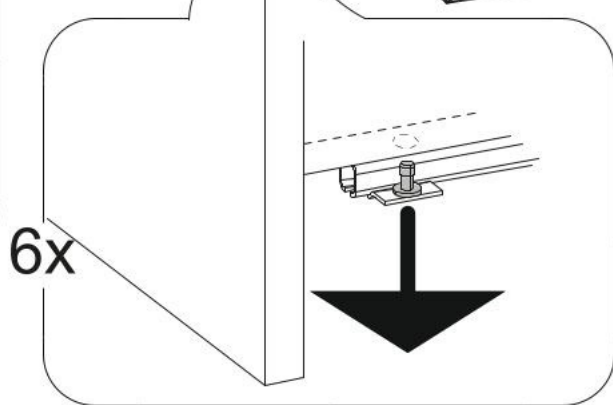
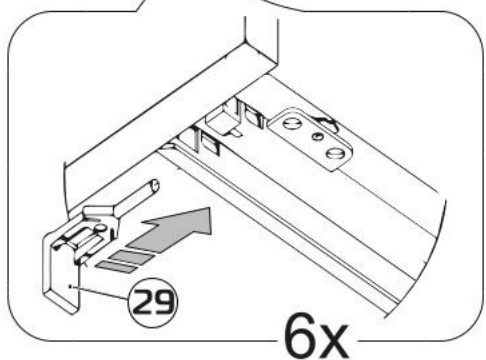
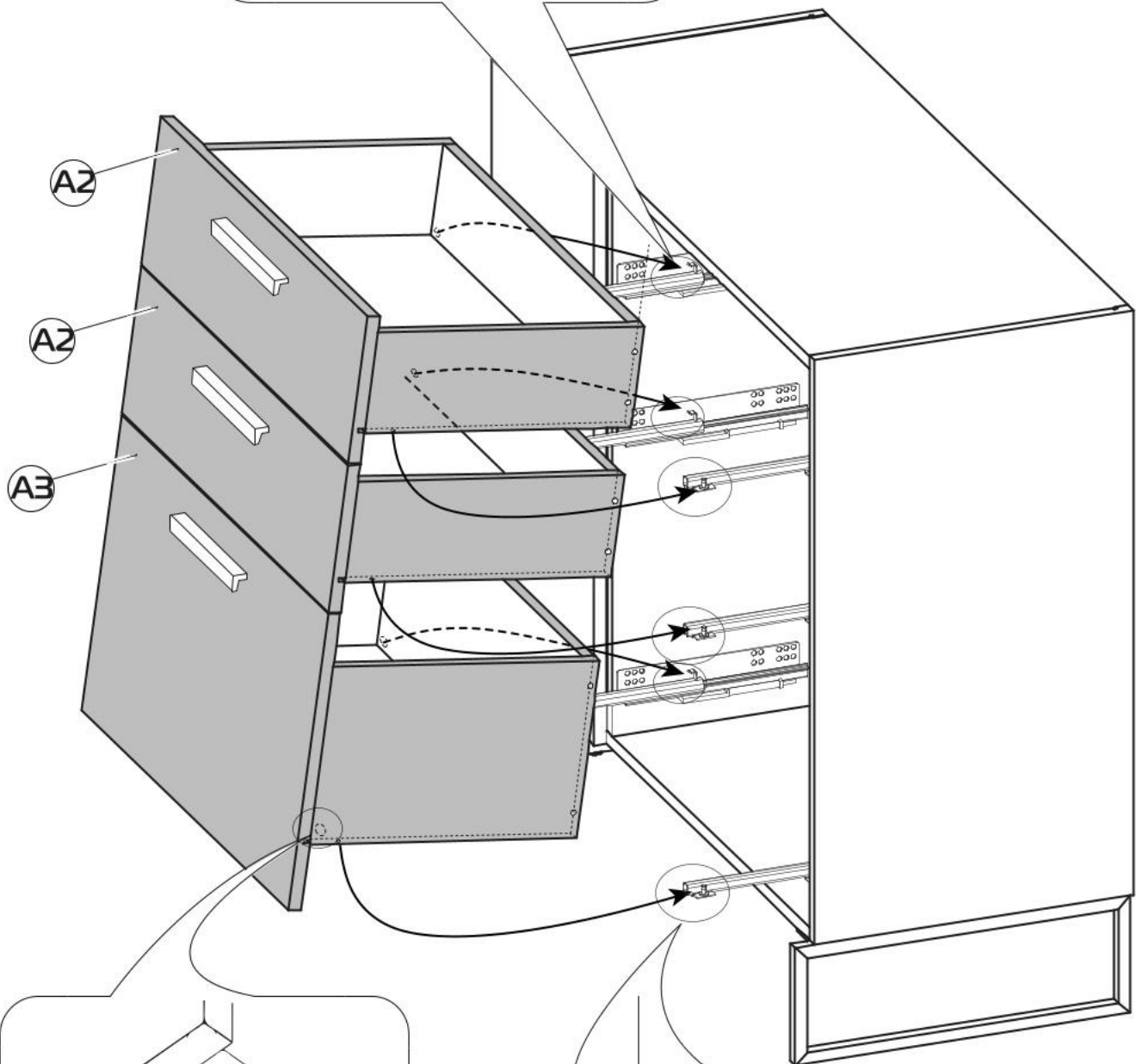
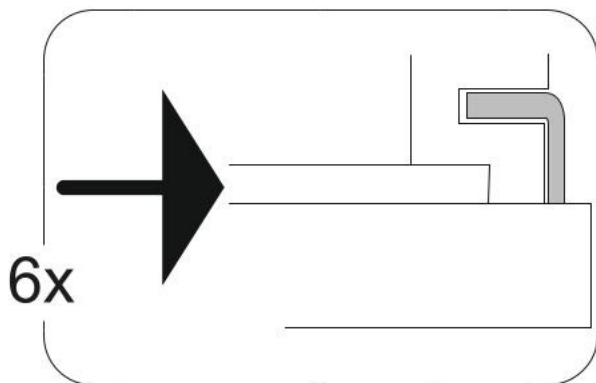
50



51

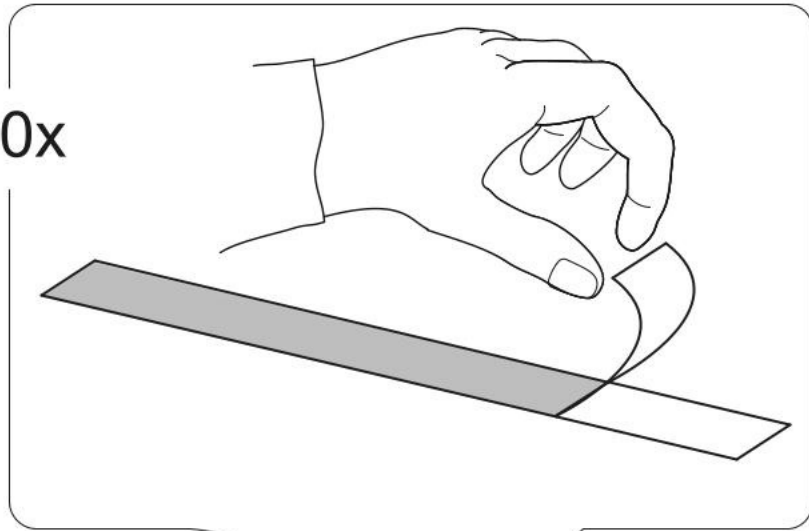


52

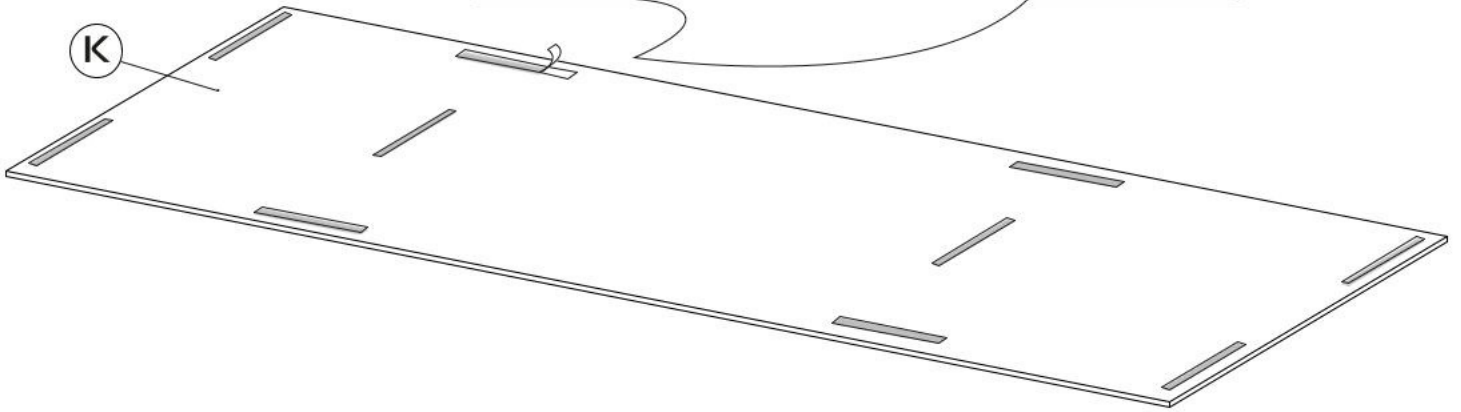


53

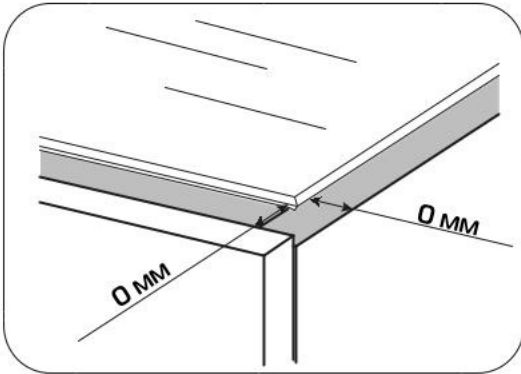
10x



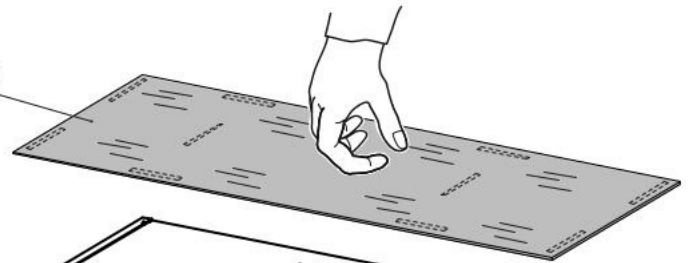
K



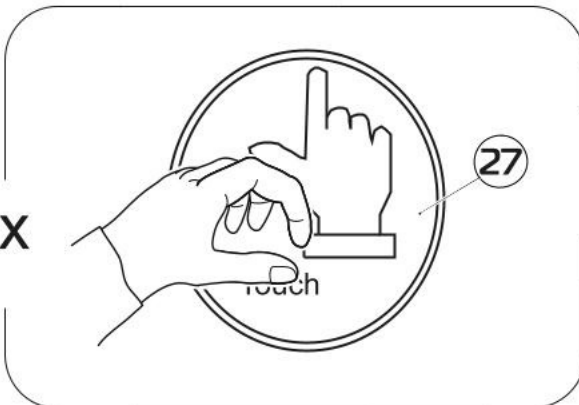
54



K



1x



27

