

OFÉLIE

EAC

Postel

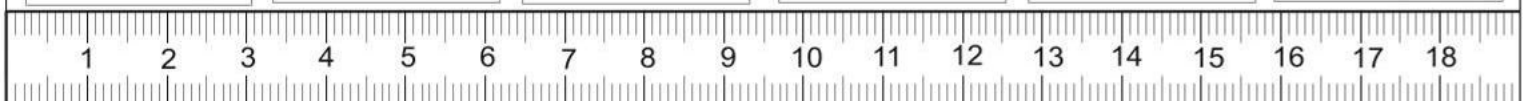
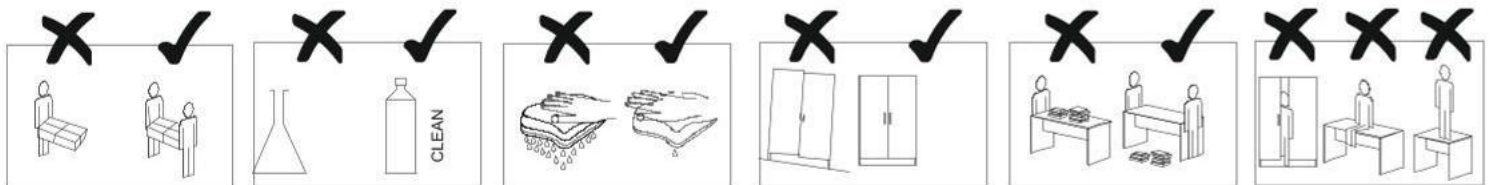
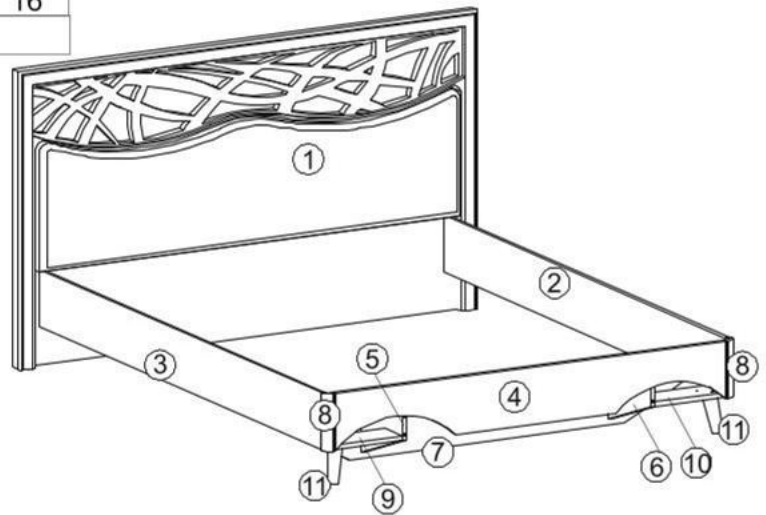
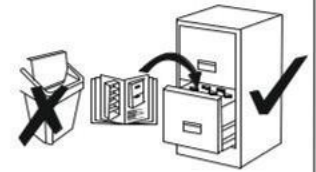








	1960
	1185
	2100

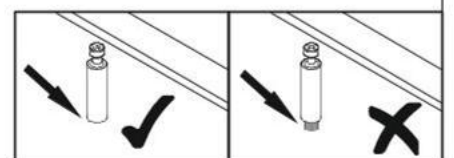
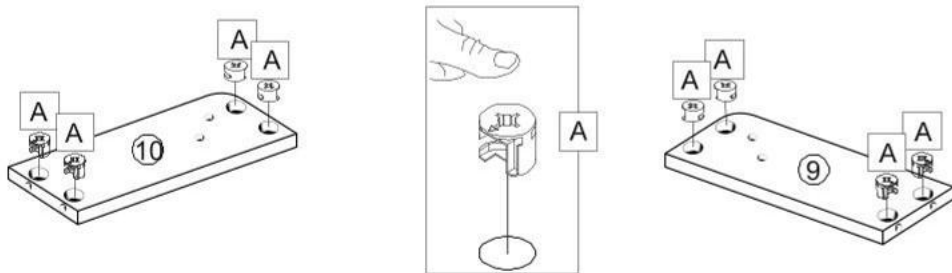
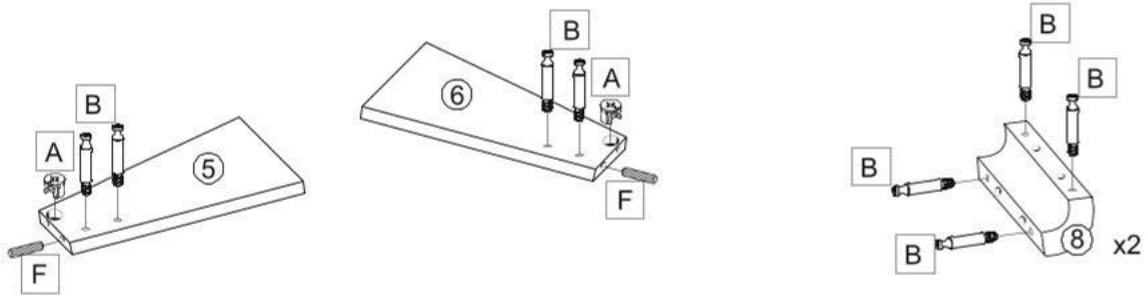
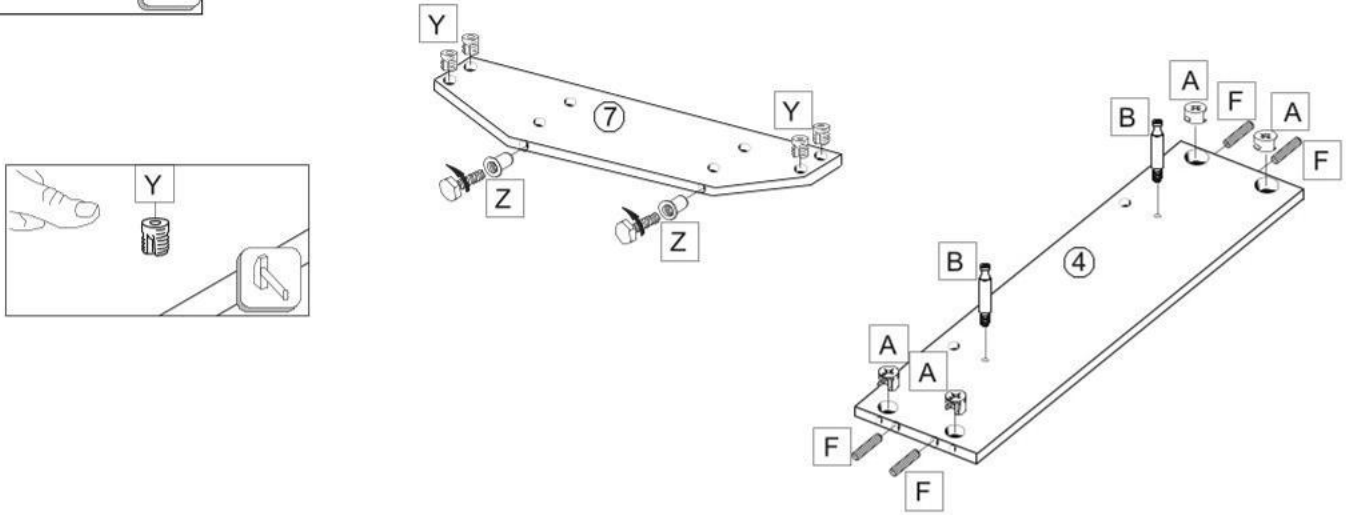
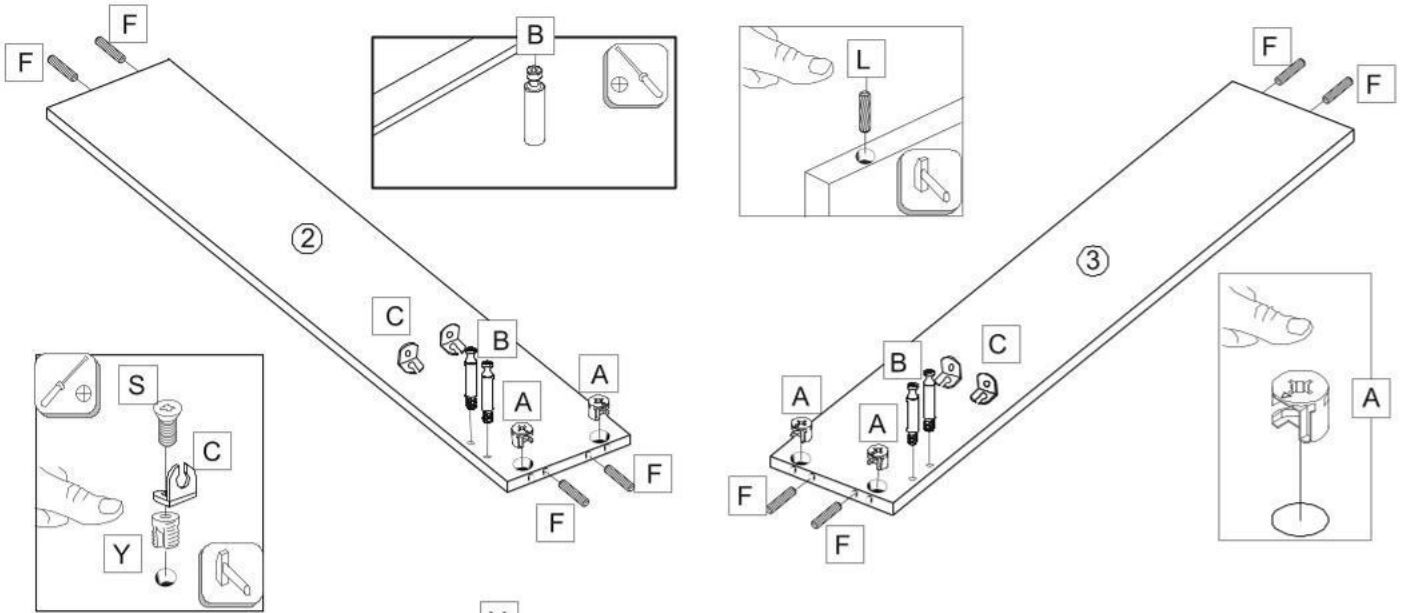
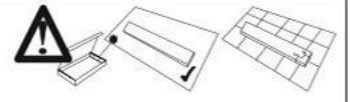
A x18	B x18	C x4	Y x8	F 8x30	G x3	H 7x50	J ϕ 18	N 4,2x16	O ϕ 14	
S x8	T x2	V x2	Z x4	W x4						



	0h 120min		600mm	0.5kg	3m			

					W	L	H
①	695061.000	1	2		1960	1185	80
②	695060.001	1	1		2060	207	16
③	695060.002	1	1		2060	207	16
④	695060.003	1	1		1566	207	16
⑤	695060.004	1	1		301	214	16
⑥	695060.005	1	2		301	214	16
⑦	695060.006	1	1		1610	237	16
⑧	695060.007	1	1		209	40	15
⑨	695060.008	1	1		300	128	16
⑩	695060.009	1	1		300	128	16
⑪	668010.006	1	1		140		

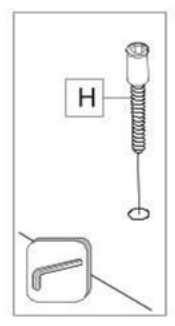
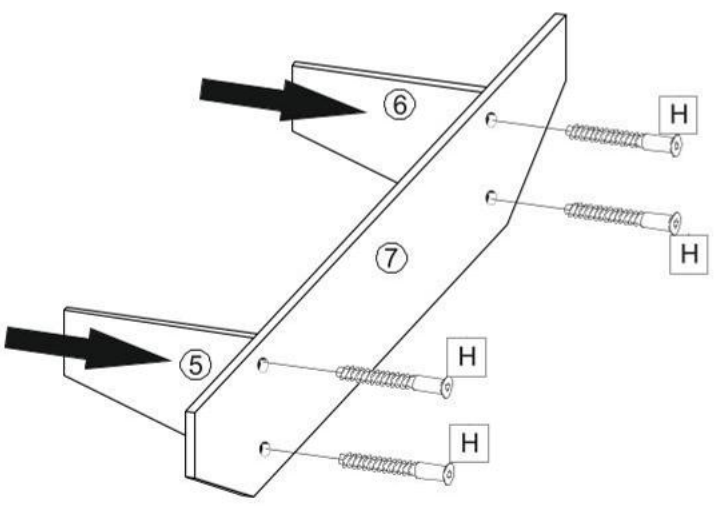
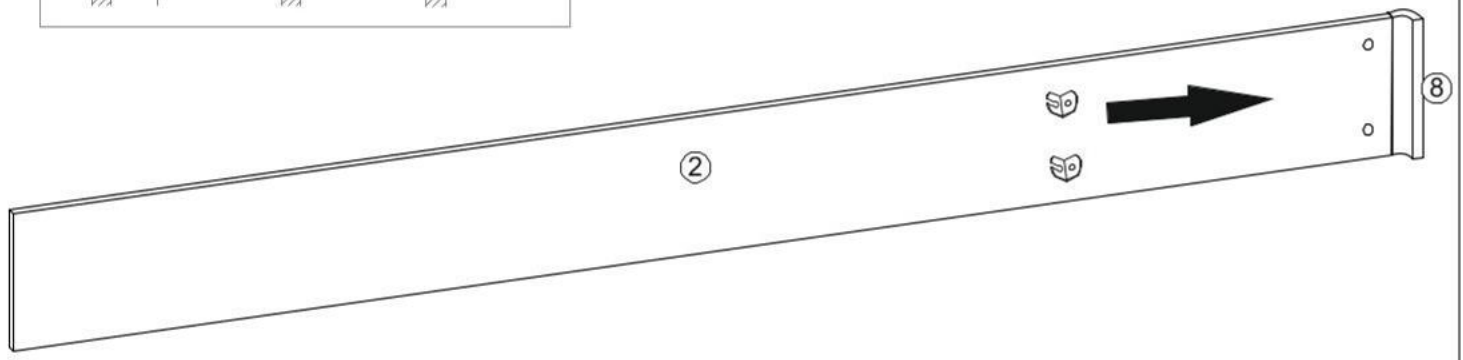
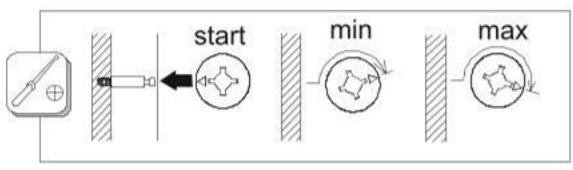
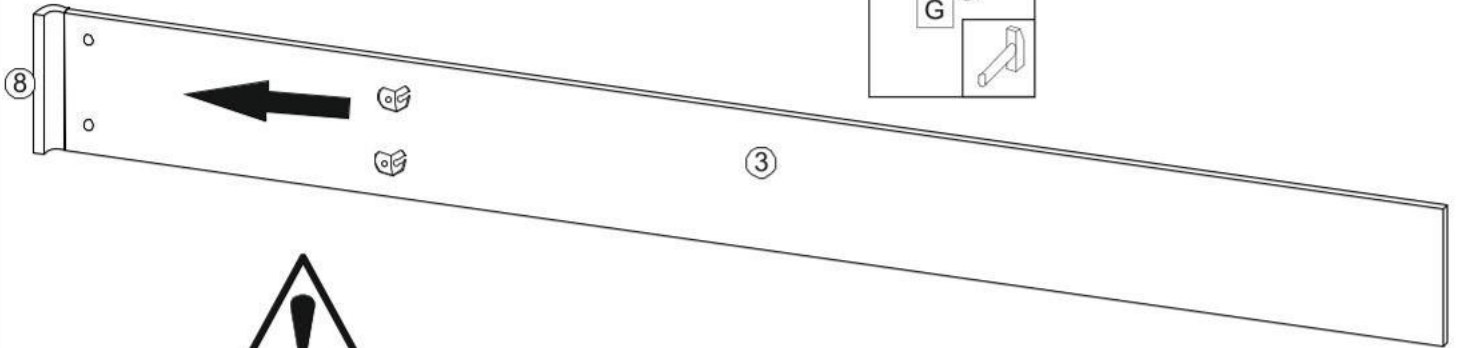
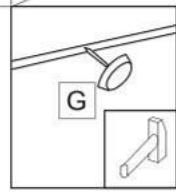
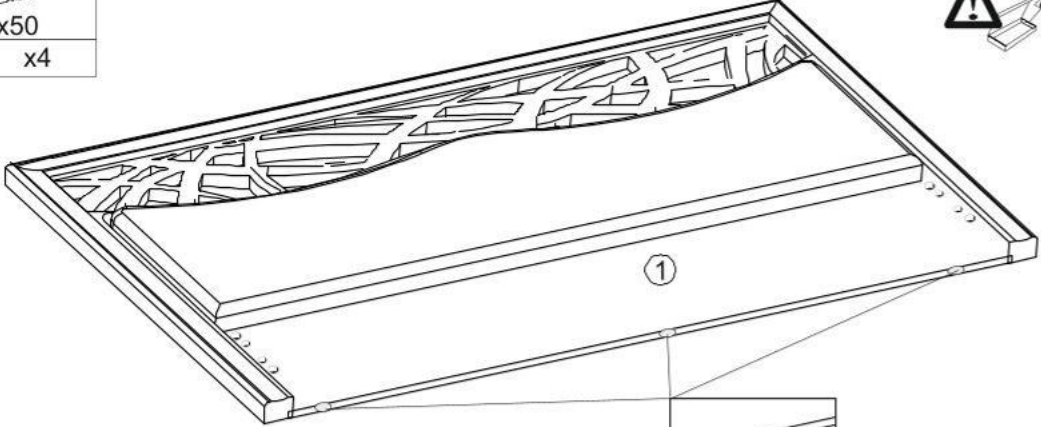
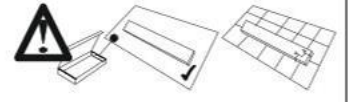


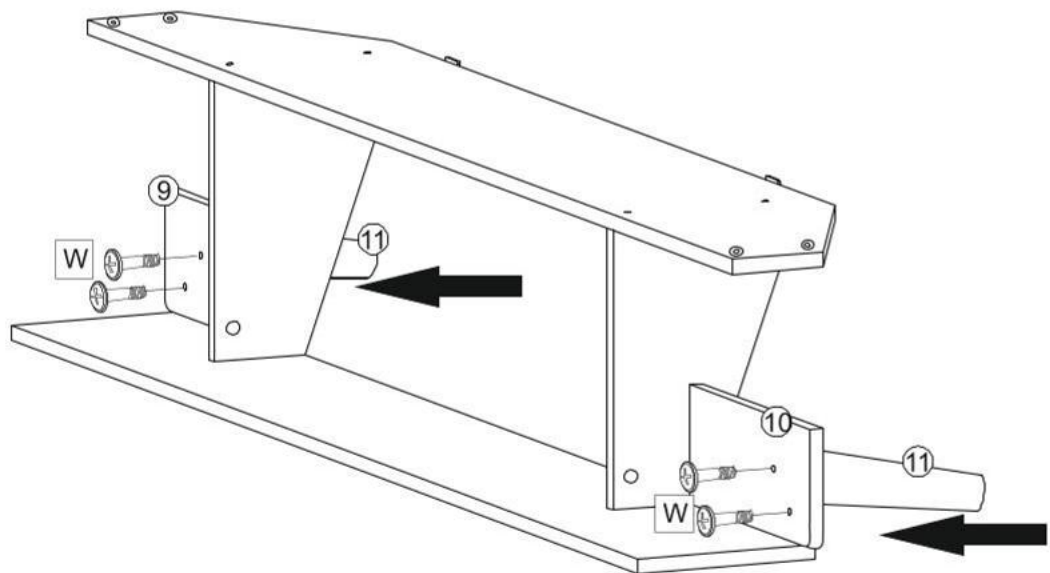
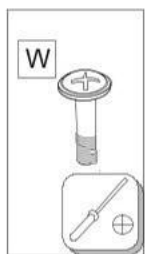
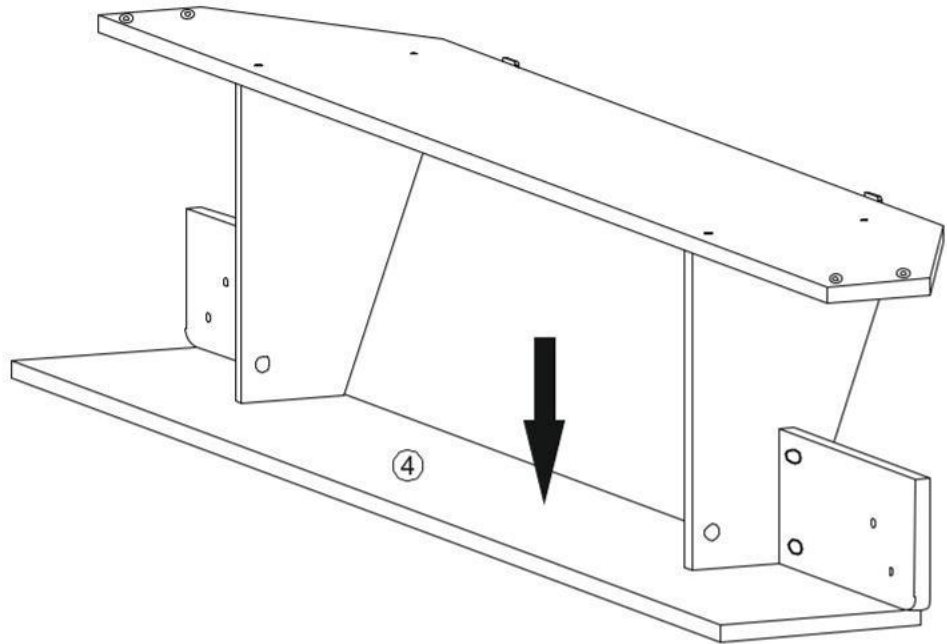
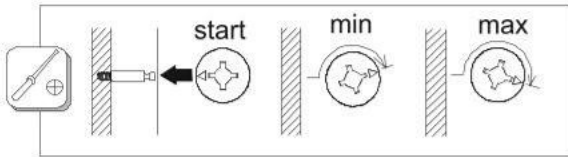
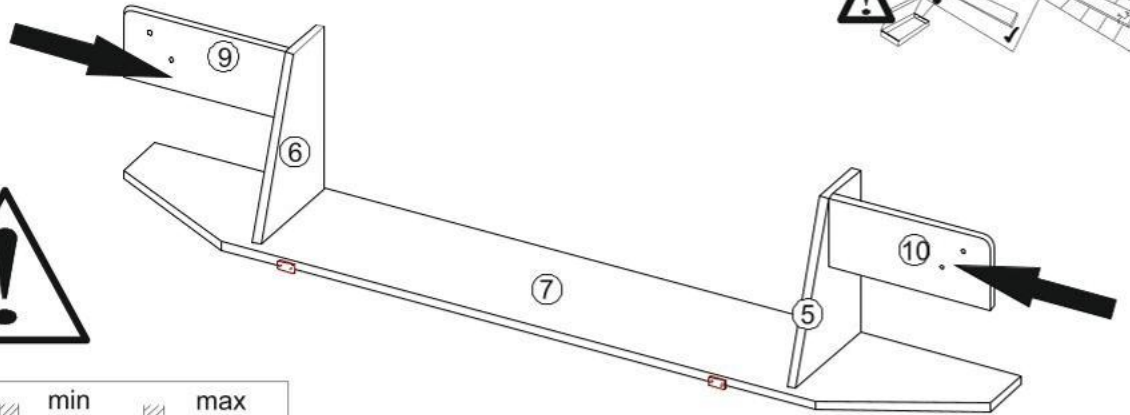
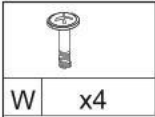
					 M6x12
A x18	B x18	C x4	T x2	Y x8	S x4



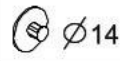



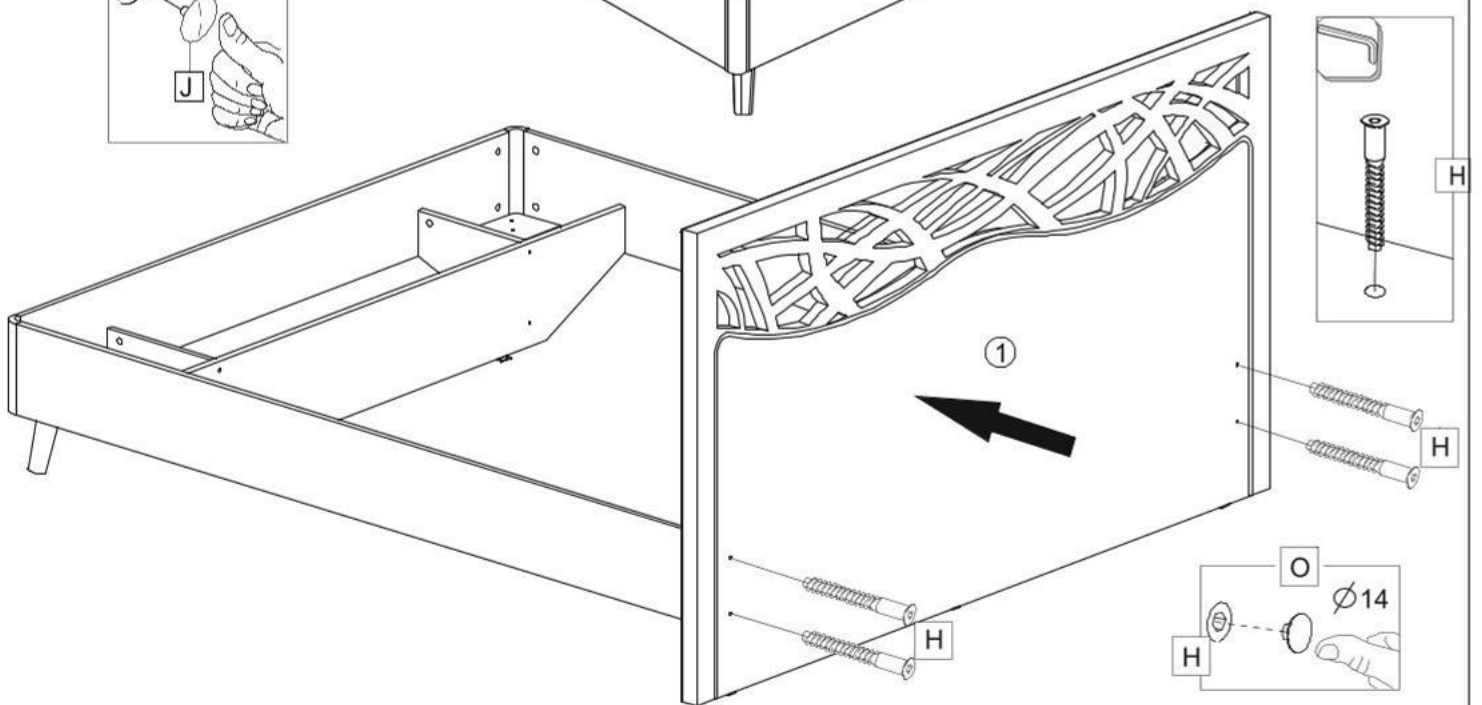
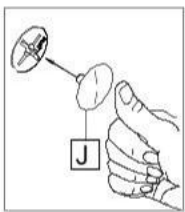
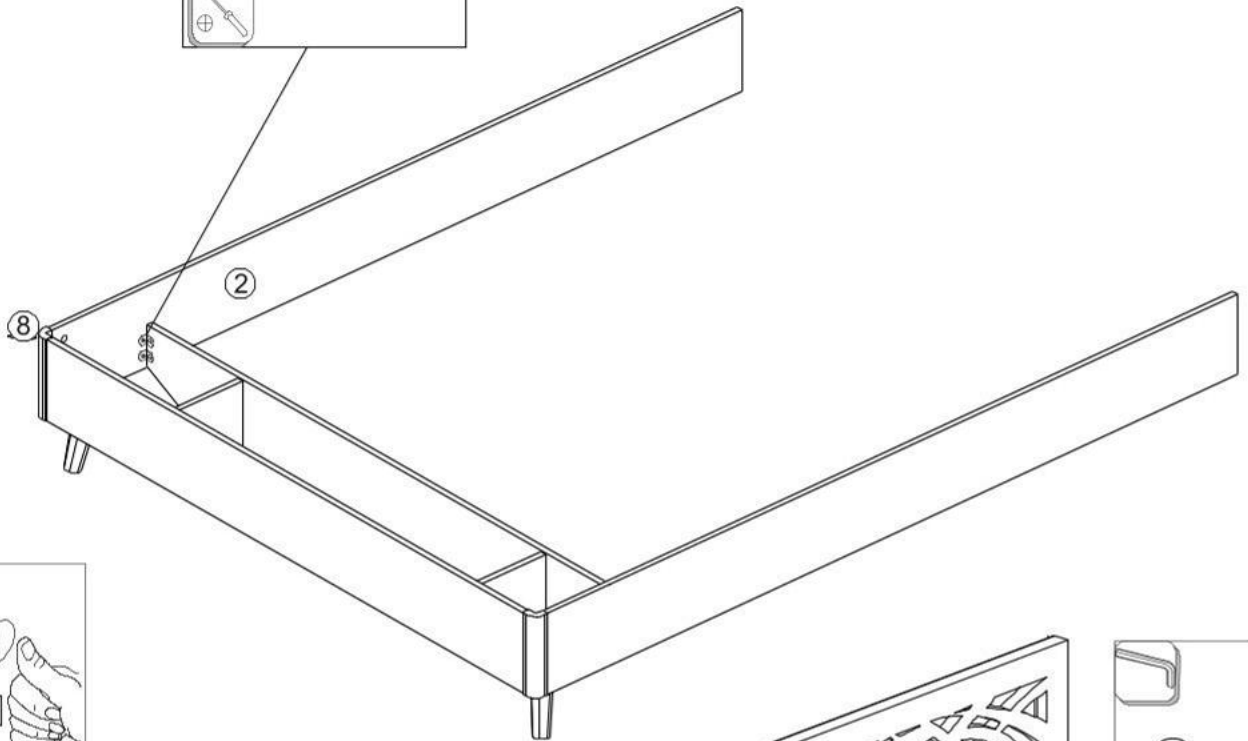
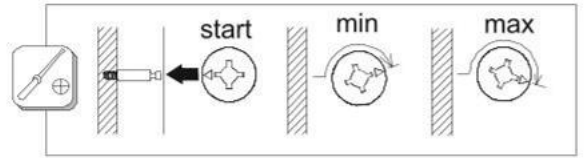
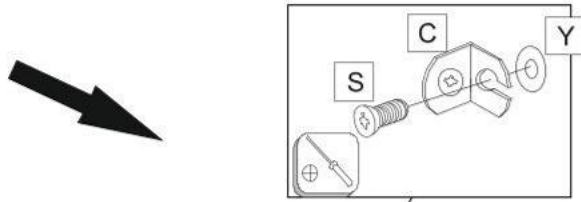
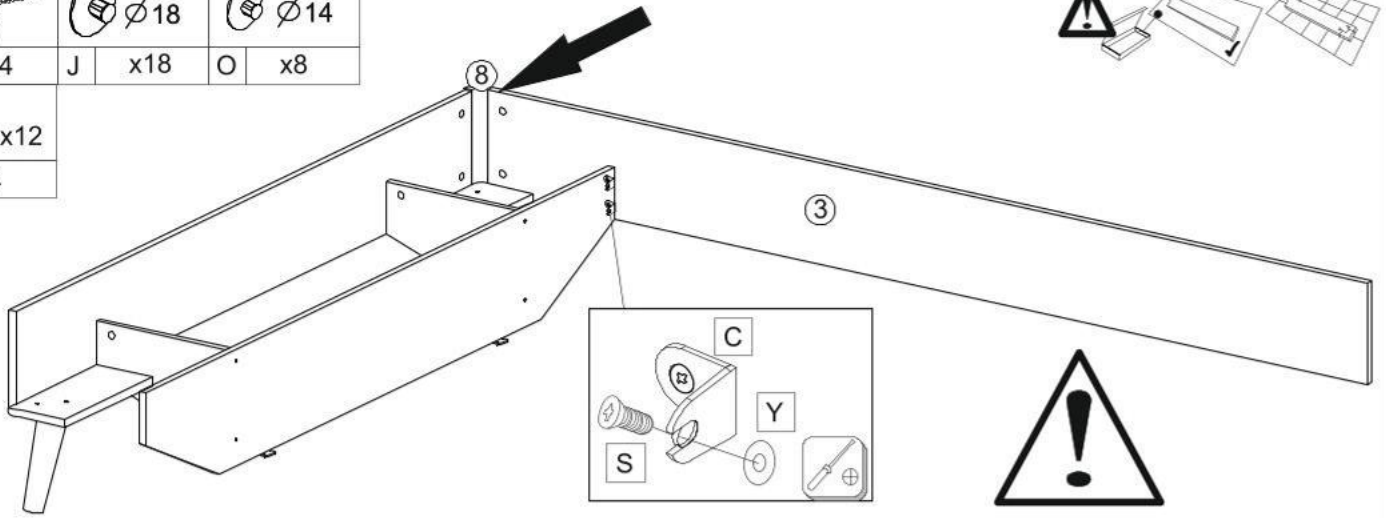
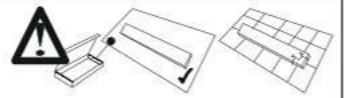
	
G x3	H x4




7x50

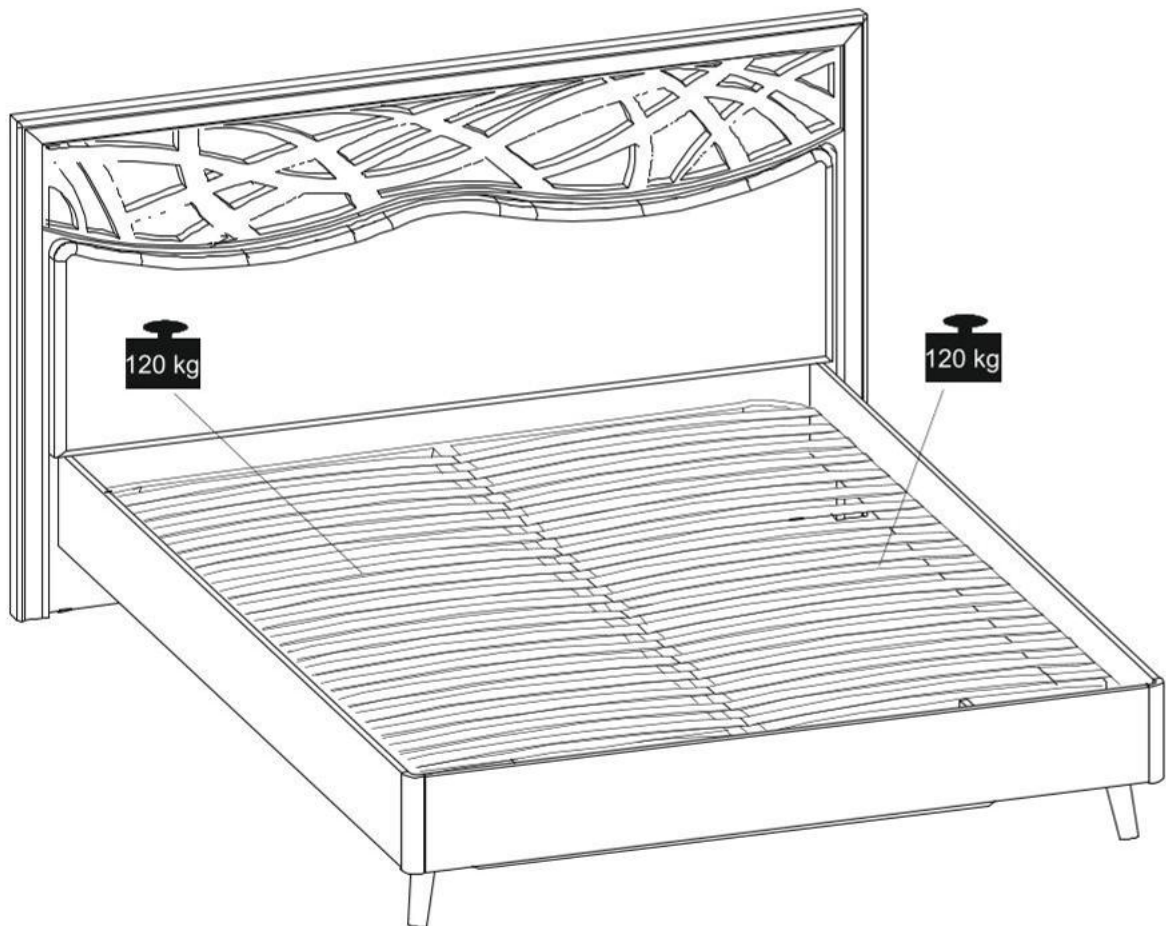
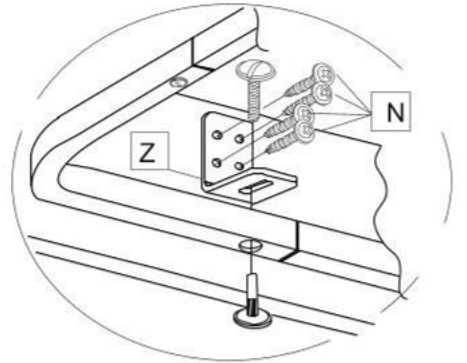
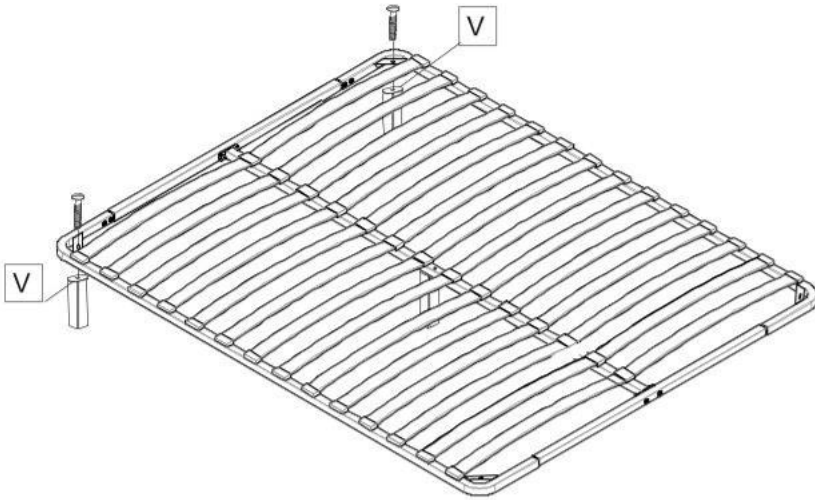
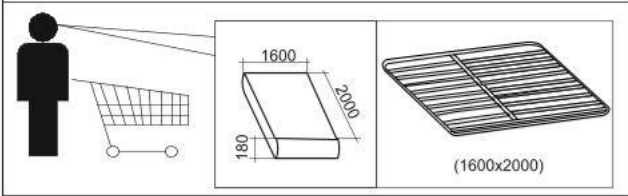
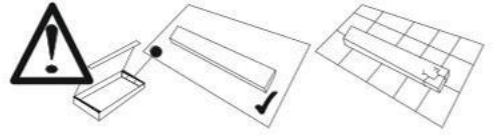


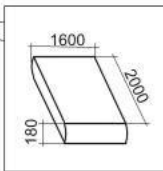


	 $\varnothing 18$	 $\varnothing 14$
H x4	J x18	O x8
		
S x4		



	4,2x16		Z	x4		V	x2	H-250
N	x16	Z	x4	V	x2			





3,5x16	3,5x30	$\varnothing 5$
C x8	H x6	M x6

