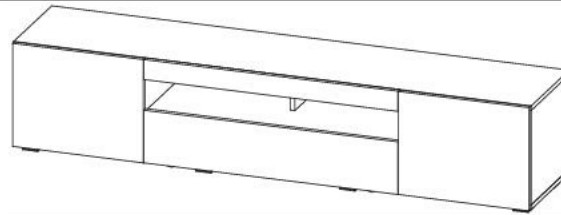


# TV stolek Drax

## 180cm

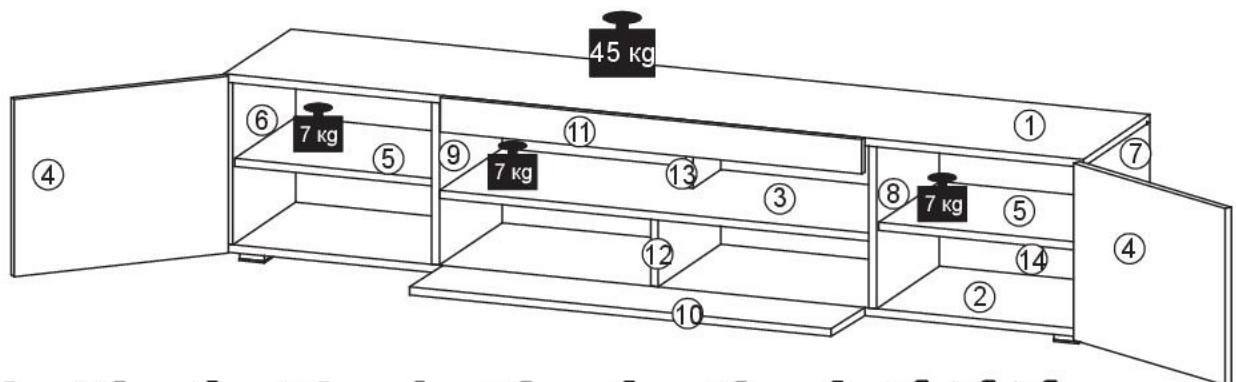
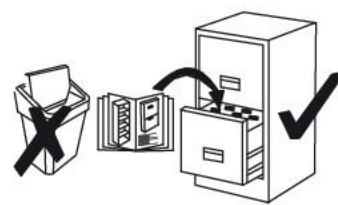








	1800
	360
	366

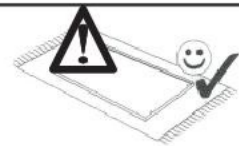
A x17	B x17	C x19	D x20	E x8	F x56	H x6	I x6	J x17
K x10	L x2	M x8	N x2	O x8	V x10	S x2		


	0h60min		600mm	0.5kg	3m			

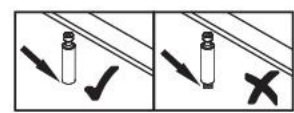
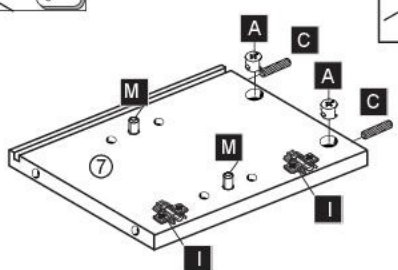
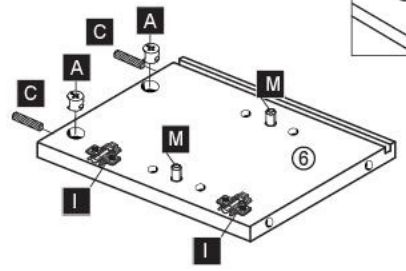
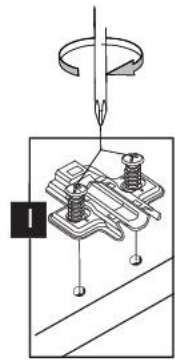
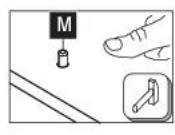
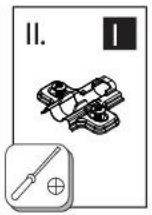
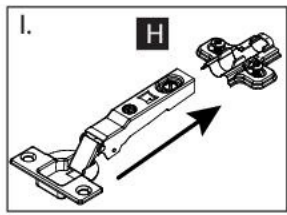
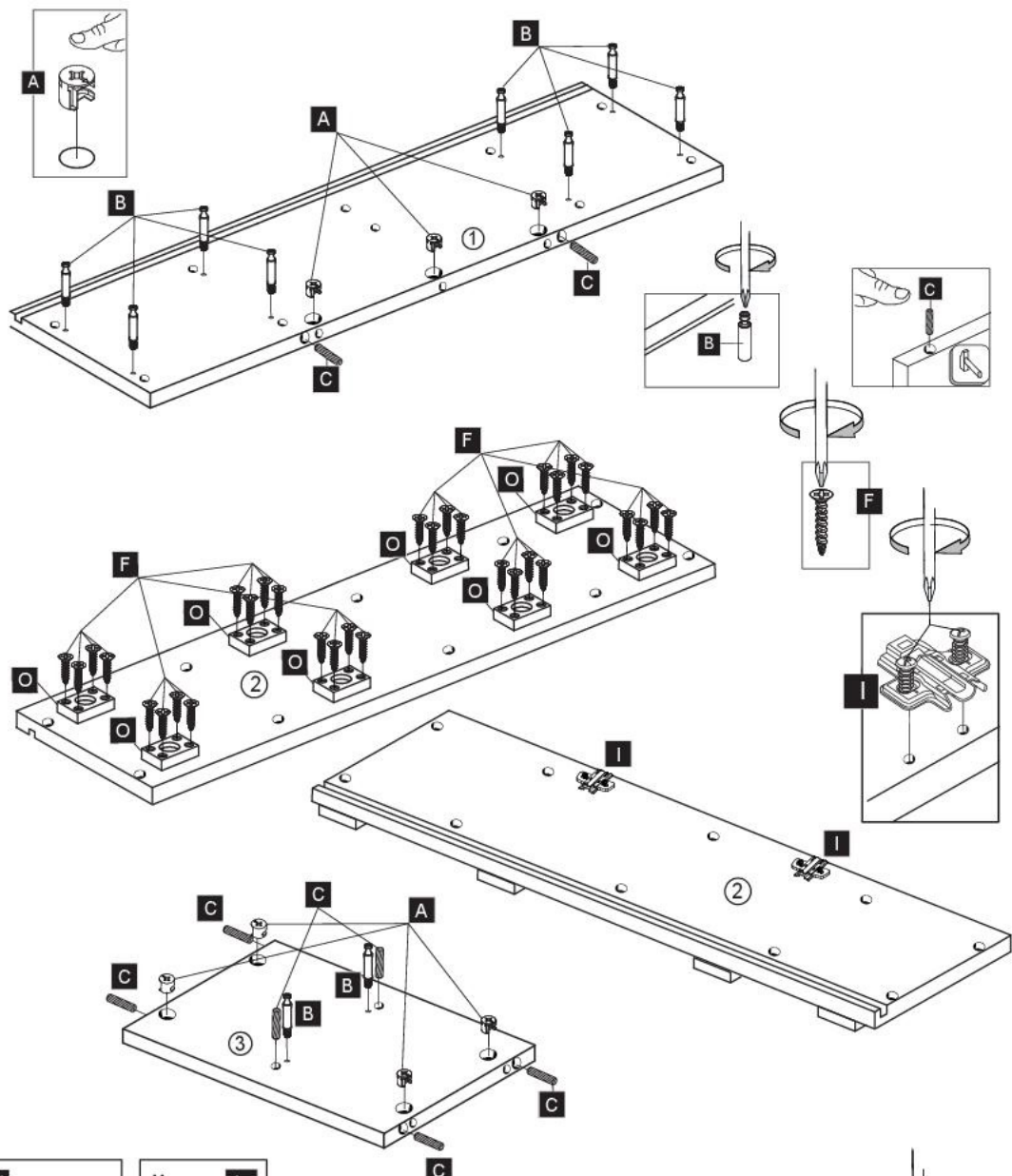
					W	L	H
①	685020.001	1	2	1800	350	16	
②	685020.002M	1	2	1800	350	16	
③	685020.003	1	1	900	328	16	
④	685010.004M	2	1	360	452	16	
⑤	685010.006	2	1	415	320	16	
⑥	685040.008	1	1	328	349	16	
⑦	685040.009	1	1	328	349	16	
⑧	685040.010	1	1	328	329	16	
⑨	685040.011	1	1	328	329	16	
⑩	685020.012M	1	1	211	888	16	
⑪	685020.013M	1	1	888	70	16	
⑫	685020.017M	1	1	177	327	16	
⑬	685020.018M	1	1	135	135	16	
⑭	685020.015	1	2	1774	336	4	








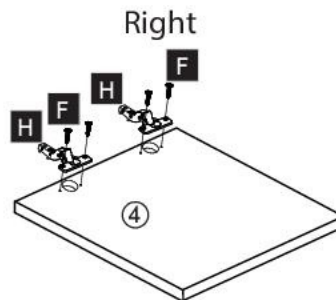
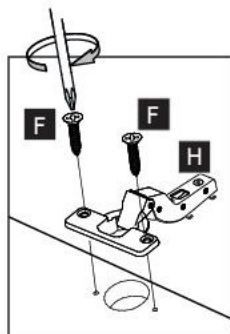
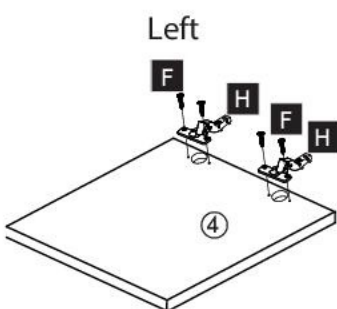
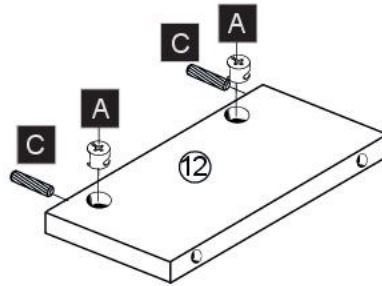
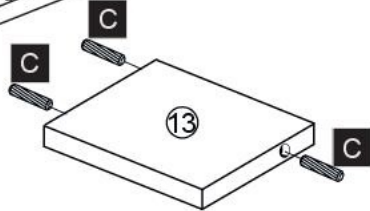
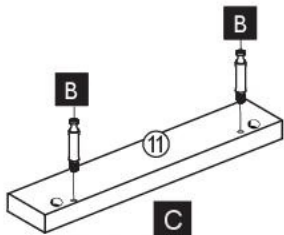
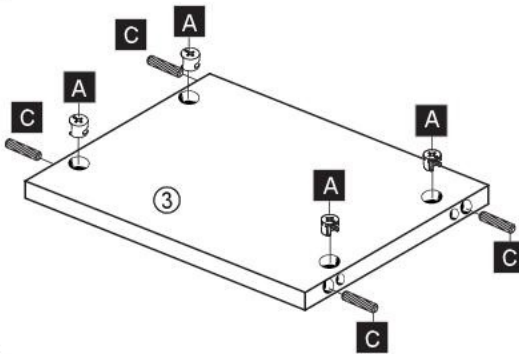
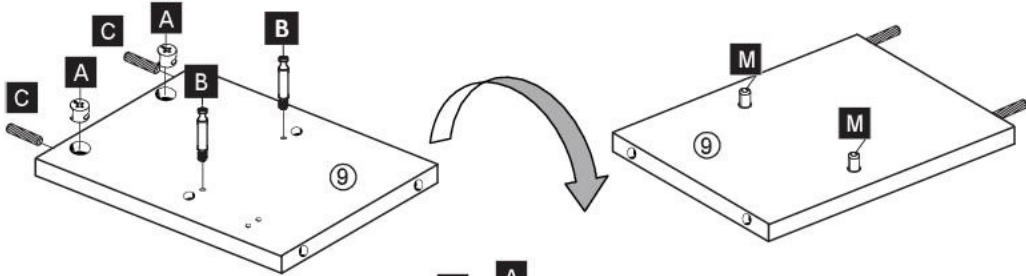
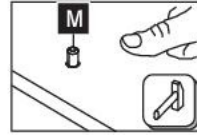
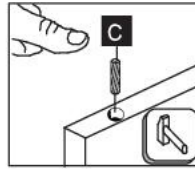
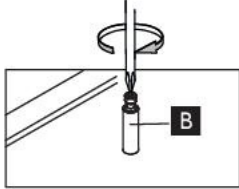
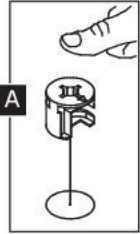
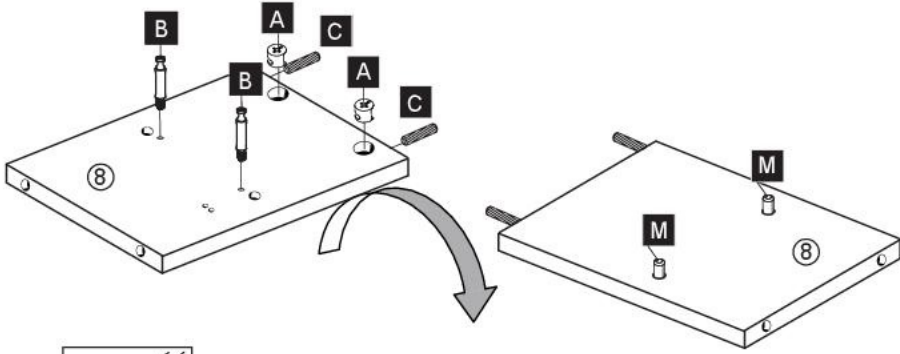
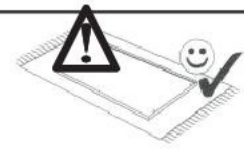

					
A	B	C	F	M	O
x11	x10	x10	x32	x4	x8

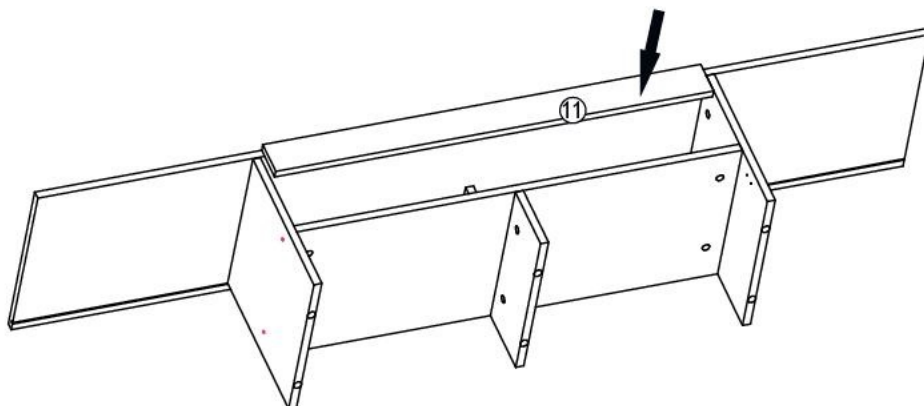
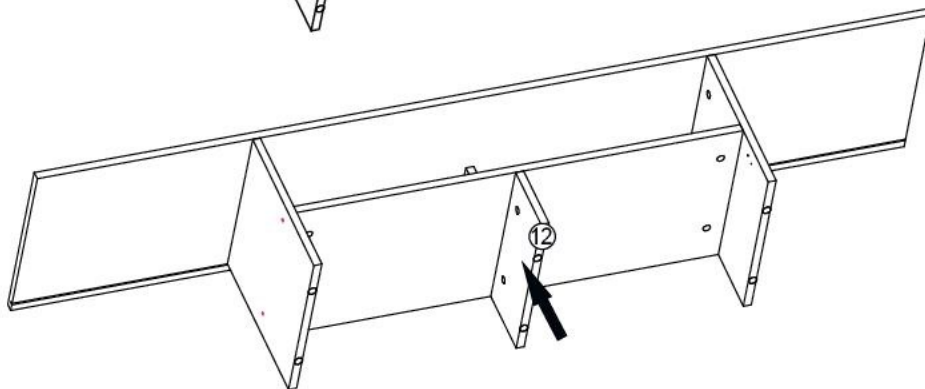
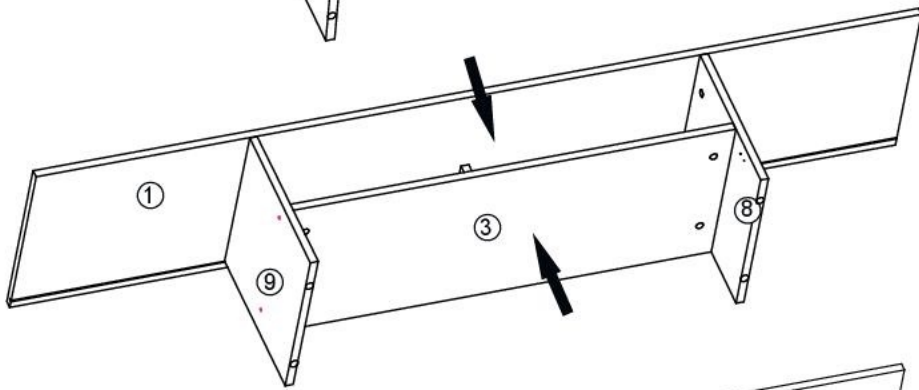
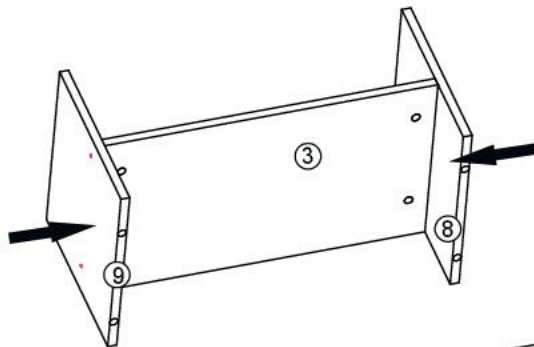
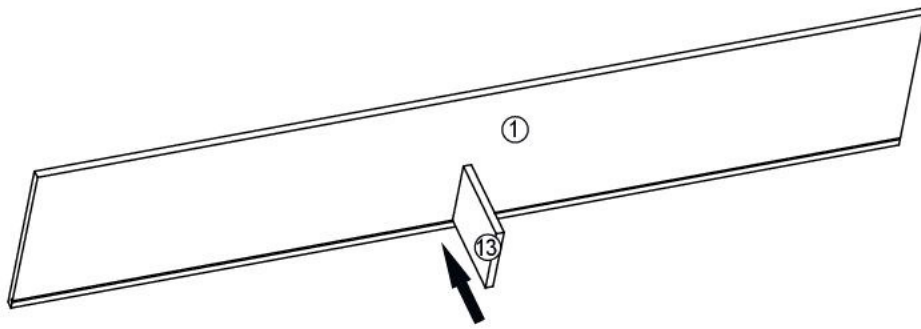
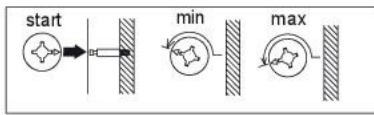





	x6
--	----

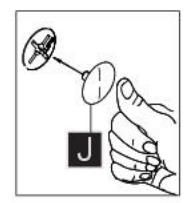
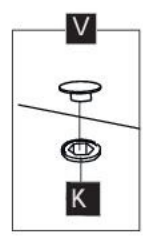
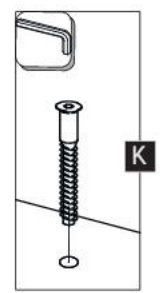
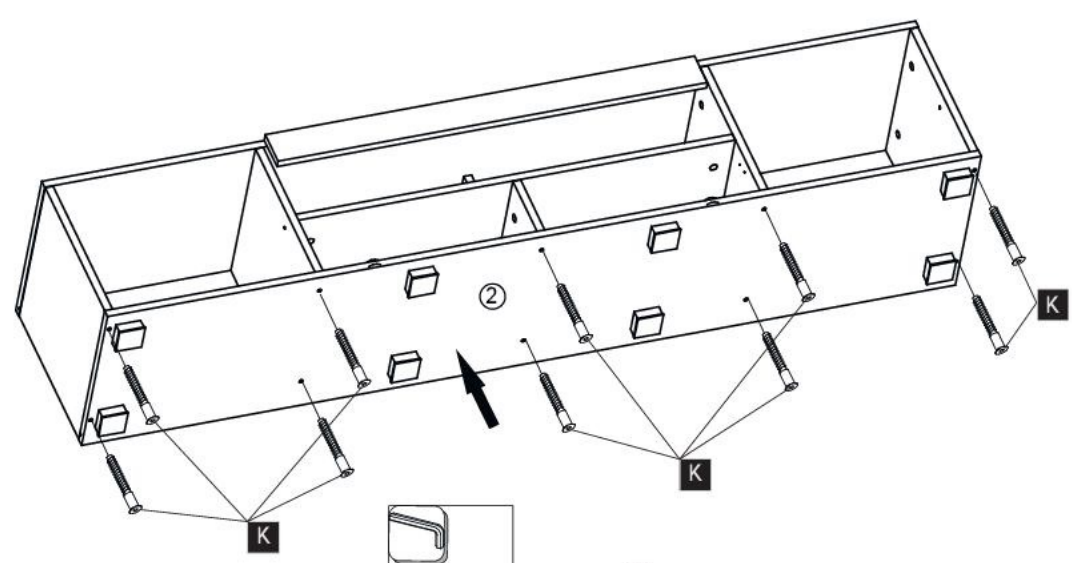
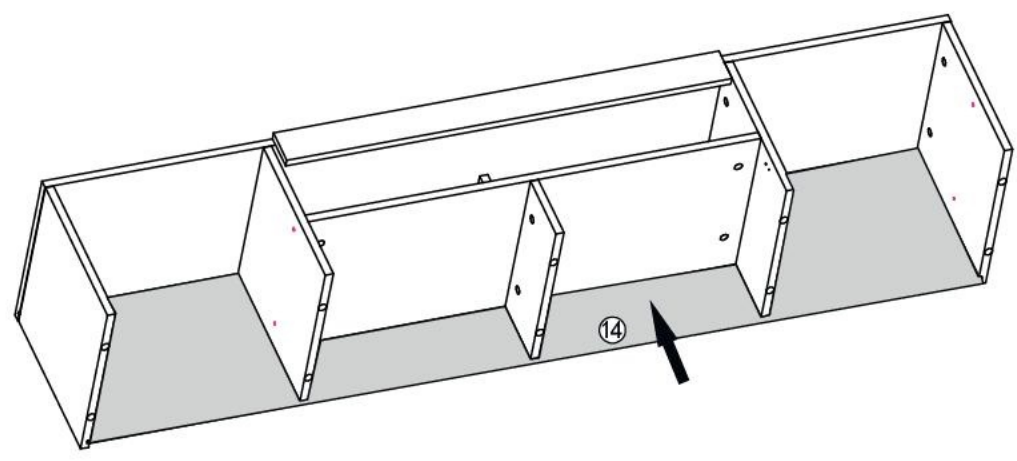
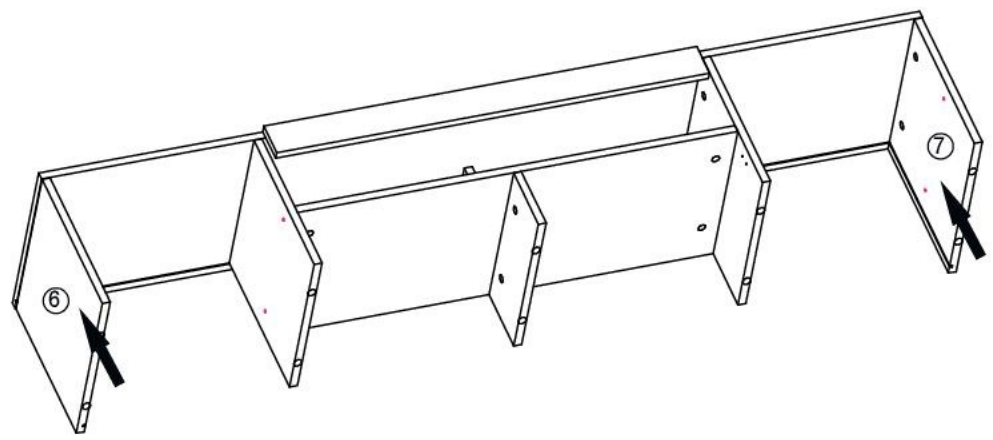
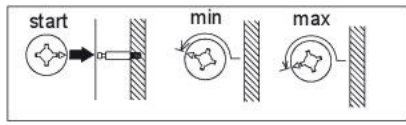
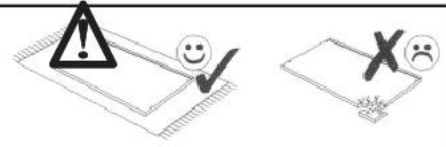



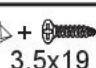

				
A	x10	B	x6	C
			8x30	
			3,5x16	
			F	x8
			H	x4

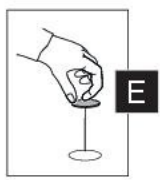
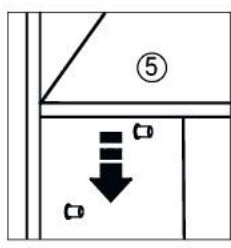
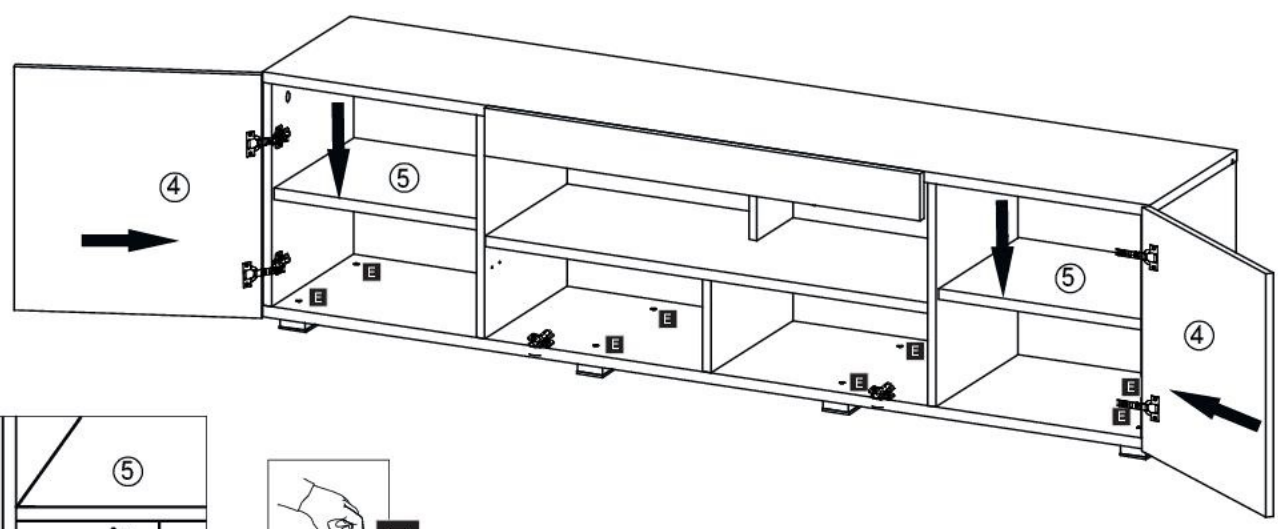
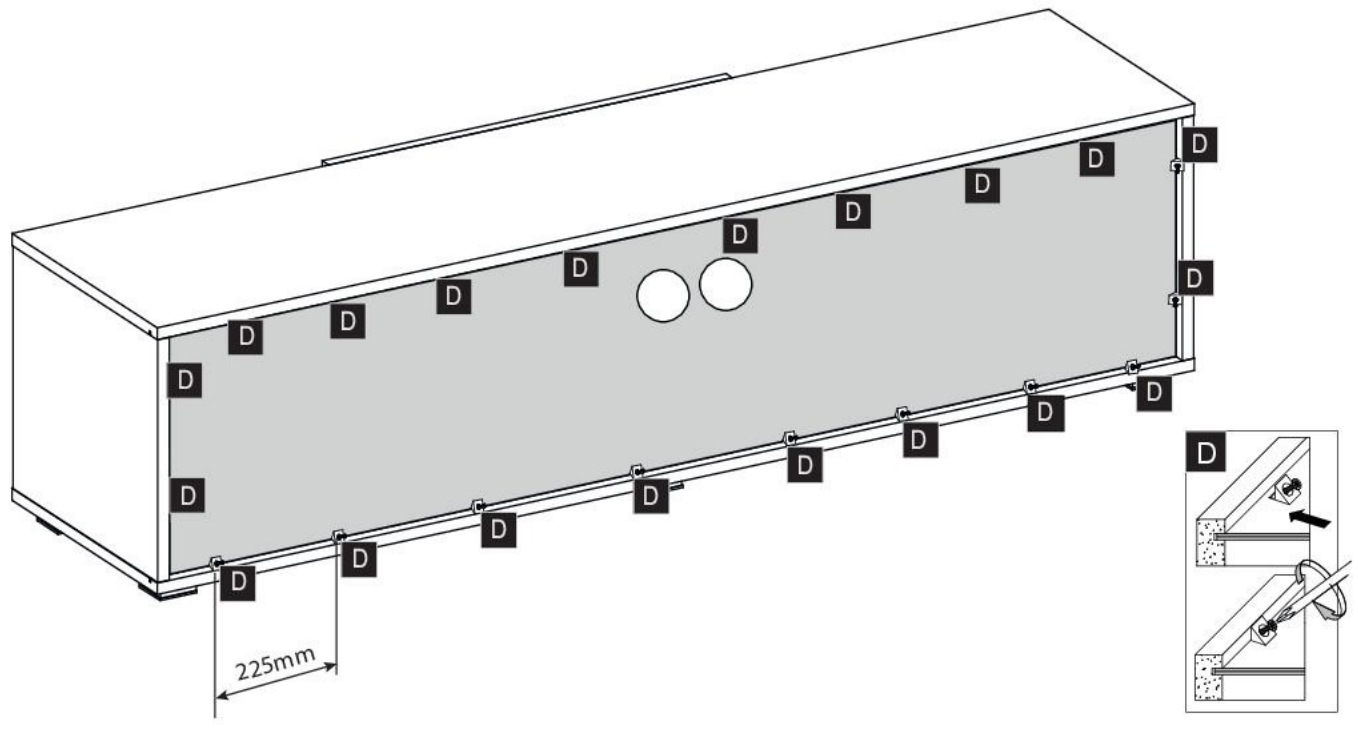
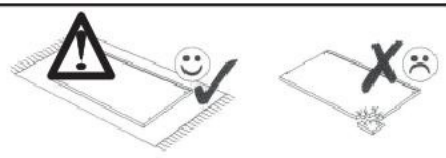




 $\varnothing 18$	 7x50	 $\varnothing 14$
J x17	K x10	V x10

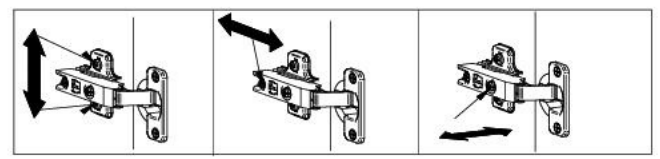
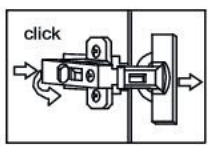
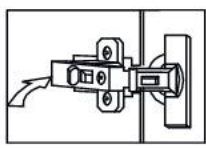
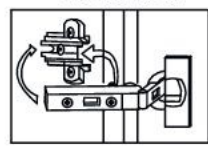






 + 	 $\varnothing 18$
3,5x19	
D x20	E x8

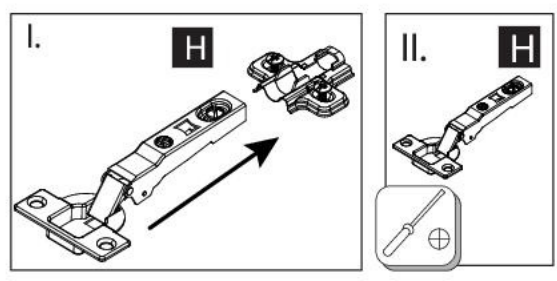
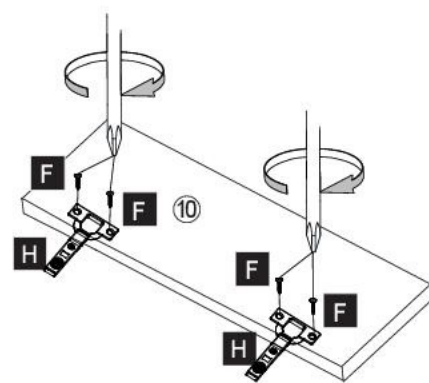
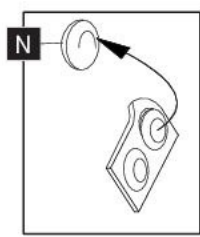
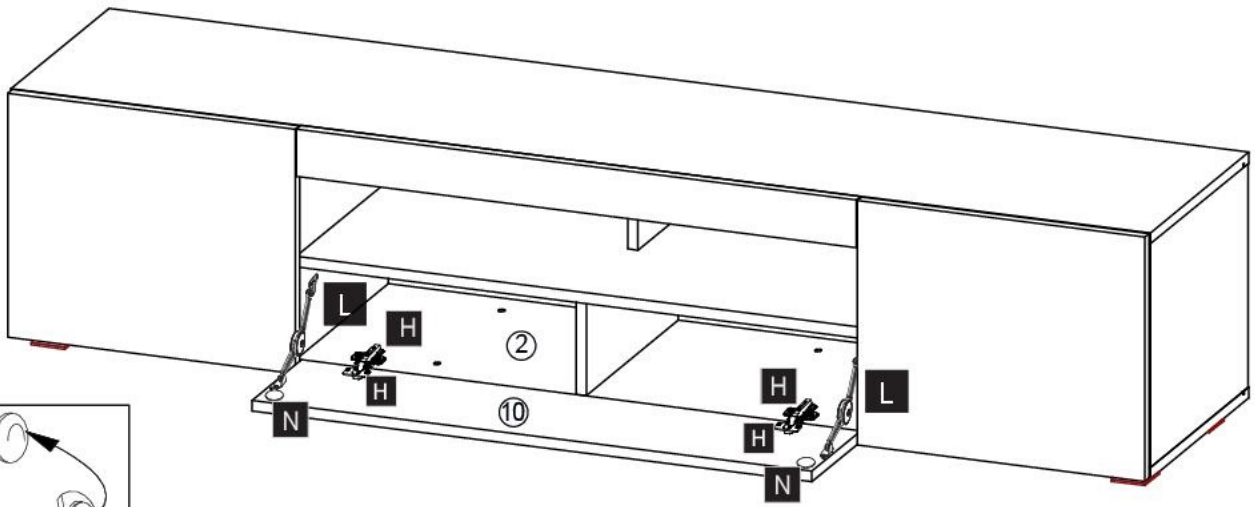
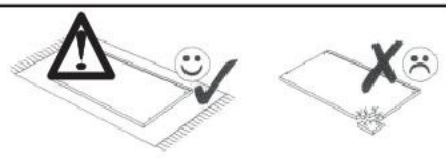


Installation

Dismount

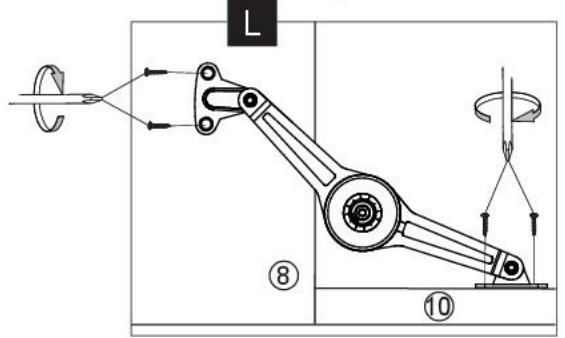
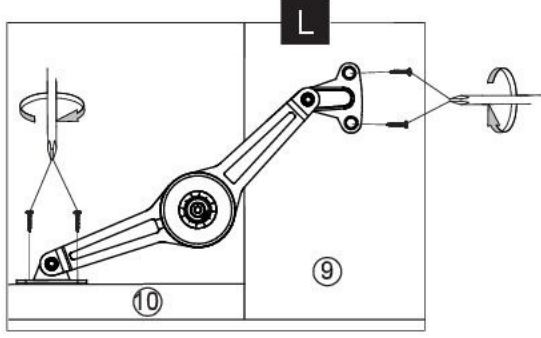


			
3,5x16	L	L	N
F 12	x2	x2	x2



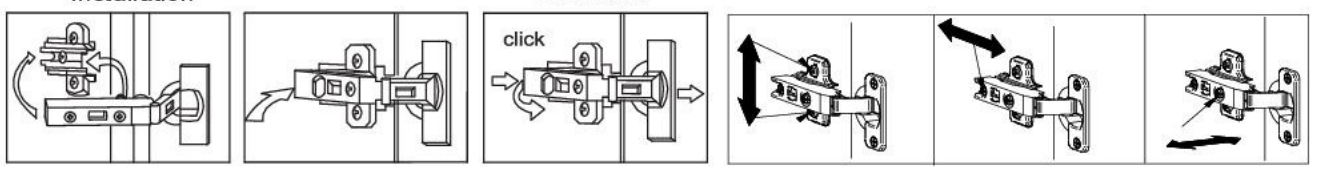
Left

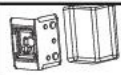
Right



Installation

Dismount

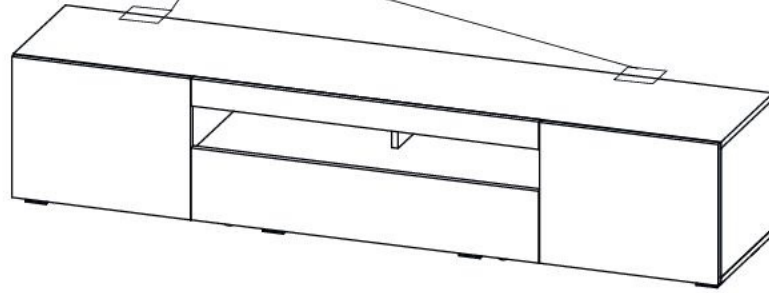
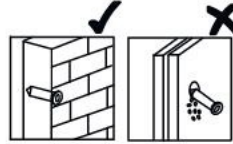
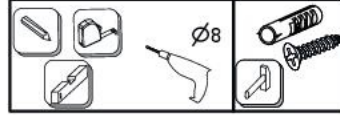
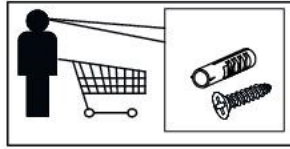
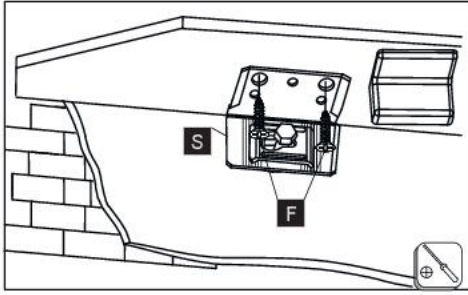











3,5x16

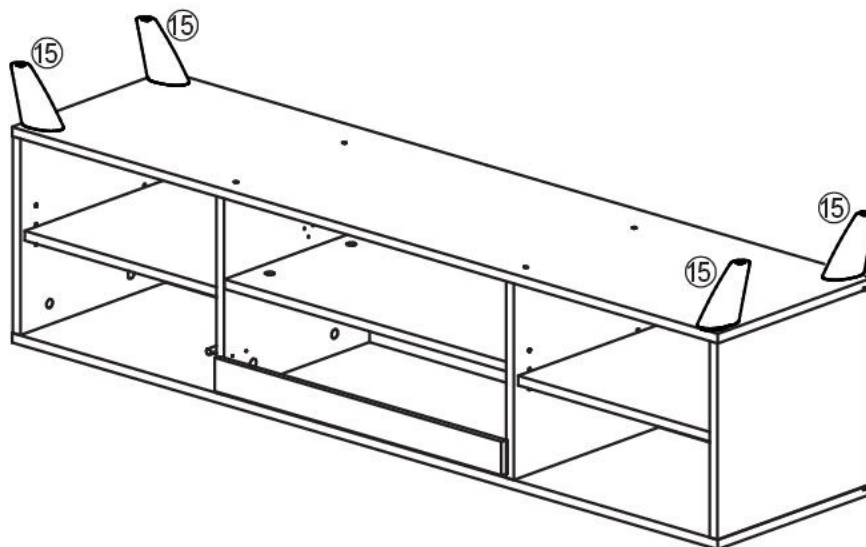
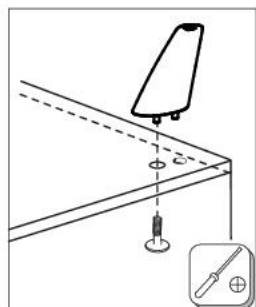
S x2


F 4





	 	  	W	L	H
	⑮ 685041.000	1			
	 x4				



	 	  	W	L	H
	⑯ Опора Алди №8				
	 3,5x16 x4				

