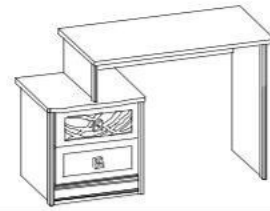


Toaletní stolek

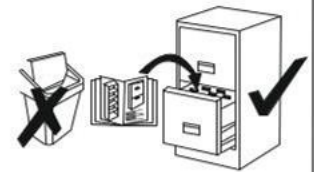


	1152
	736
	500

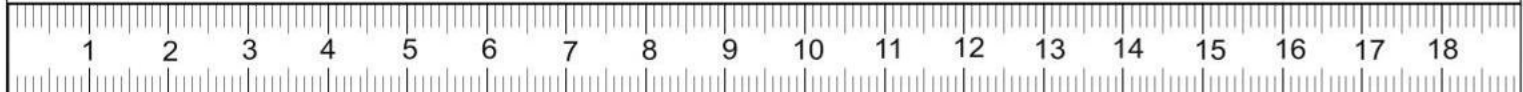
A x2	B x12	C x2	D x1	E x6	F x22	G x2	H x8	I x8	J x26
K x10	L x20	M x1	N x22	O x8	P x4	Q x2	R x1		

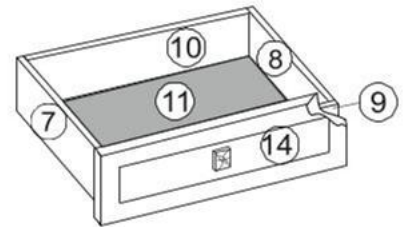
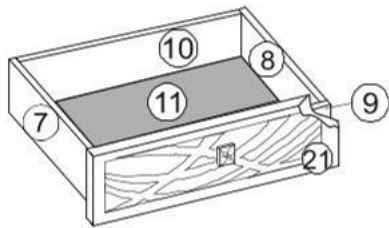
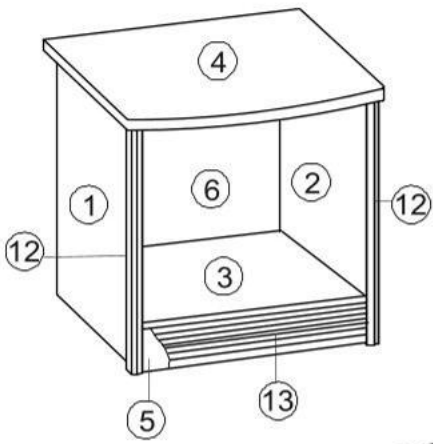
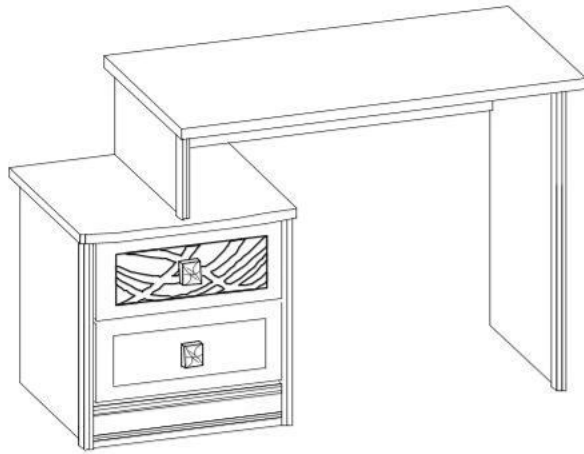
	0h 120min		600mm	0.5kg	3m			

					W	L	H
①	690030.001	1	1	490	440	16	
②	690030.002	1	1	490	440	16	
③	633140.003	1	1	412	439	16	
④	690030.003	1	3	496	498	19	
⑤	633140.005	1	1	412	96	16	
⑥	633140.006	1	1	420	386	3	
⑦	690030.006	2	1	400	150	16	
⑧	690030.007	2	1	400	150	16	
⑨	690030.008	2	1	354	150	16	
⑩	690030.009	2	1	354	150	16	
⑪	695050.002	2	1	380	368	3	
⑫	695030.003	2	4	490	22	44	
⑬	690030.005	1	4	444	96	12	
⑭	695031.000	1	3	190	440	20	
⑮	633160.001	1	1	210	400	16	
⑯	690050.001	1	1	718	400	16	
⑰	633160.003	1	2	210	886	16	
⑱	690040.003	1	3	500	938	19	
⑲	690050.002	1	4	210	22	44	
⑳	690050.003	1	4	718	22	44	
㉑	695032.000	1	3	190	440	20	



X	✓	X	✓	X	✓	X	✓	X	X	X





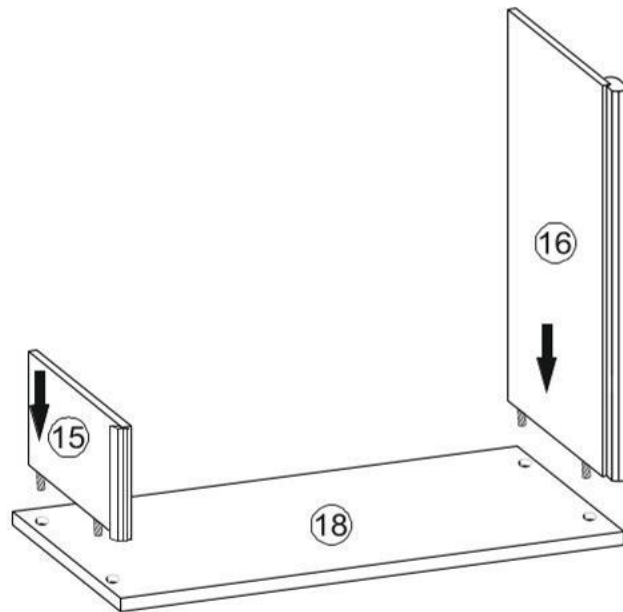
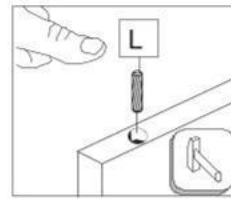
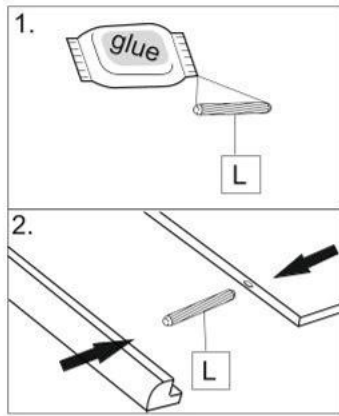
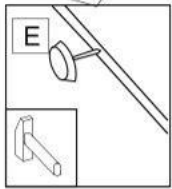
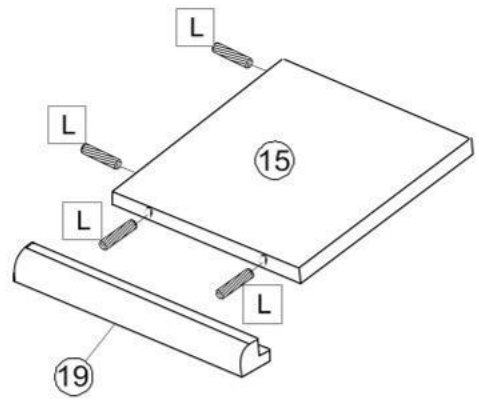
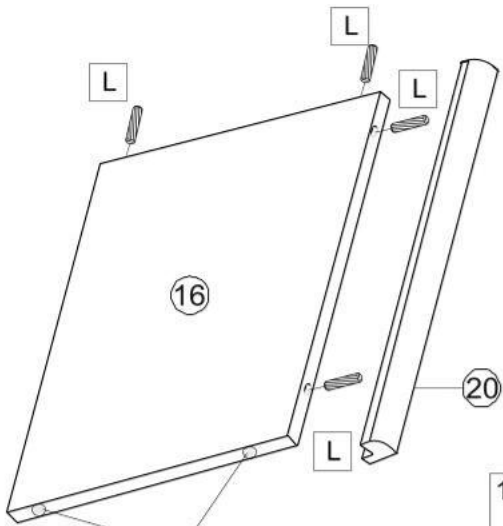
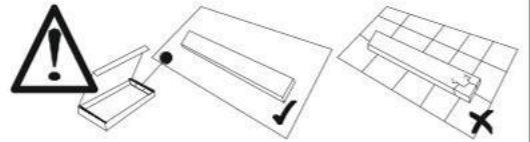
L- left side R- right side



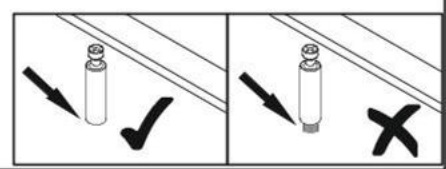
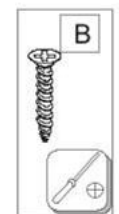
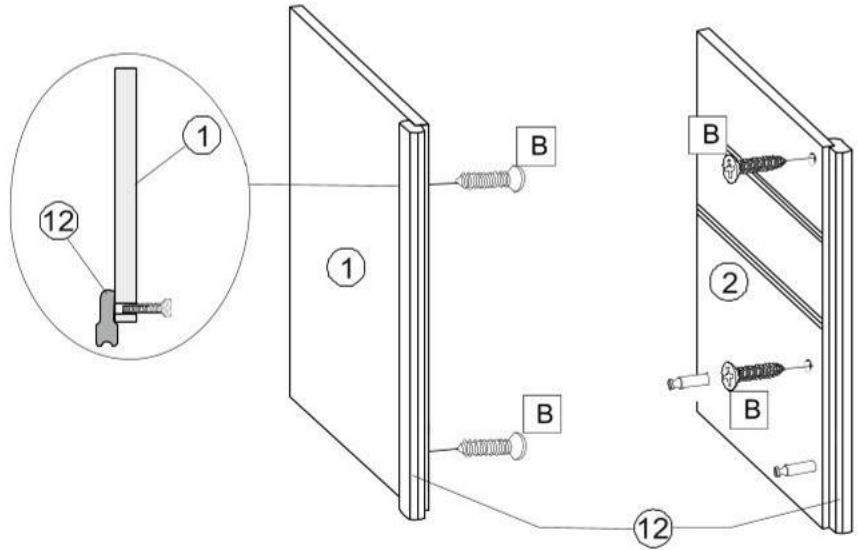
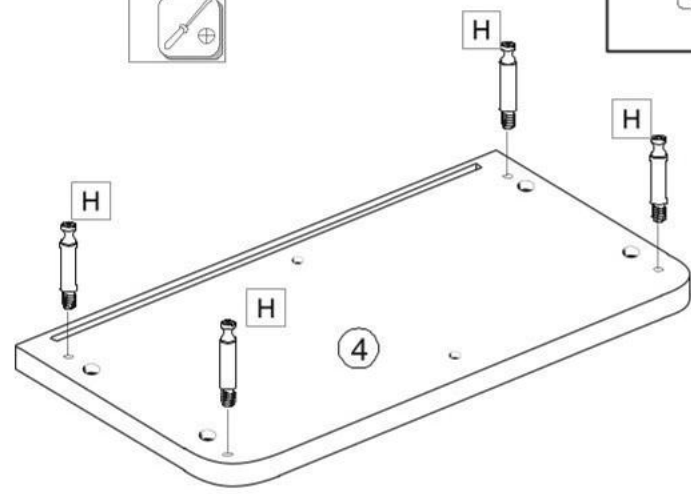
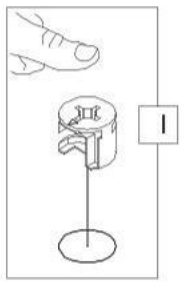
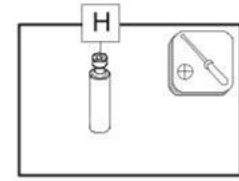
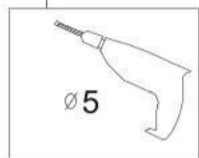
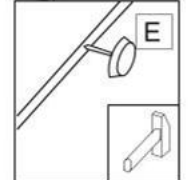
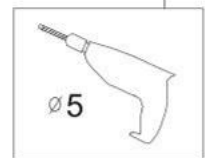
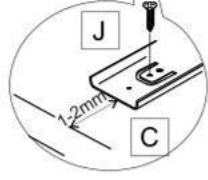
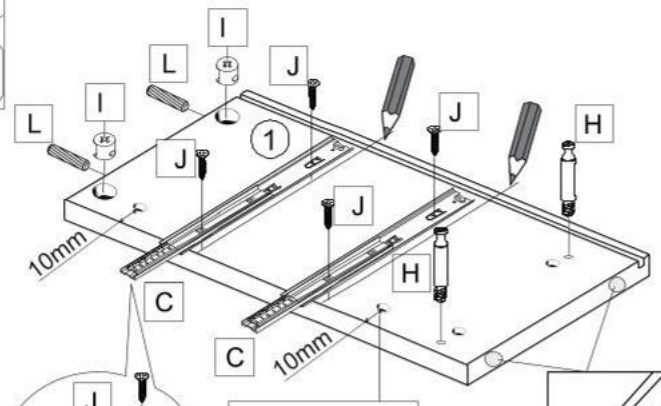
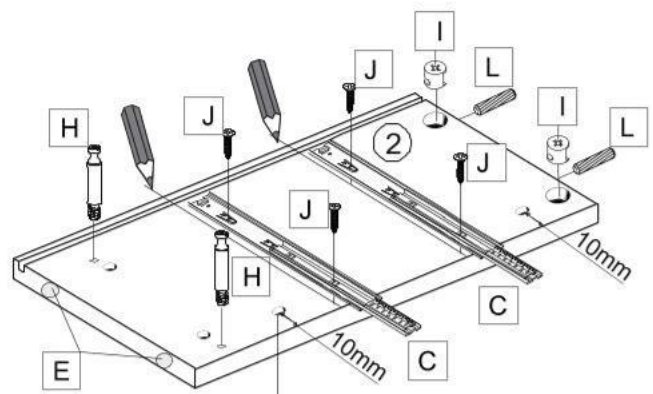
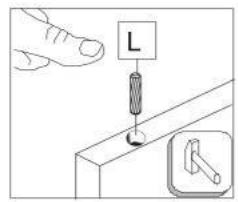
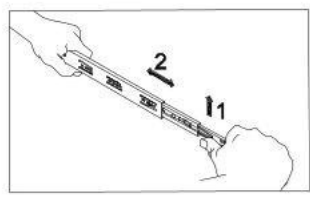
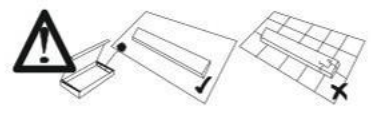
8x30




L

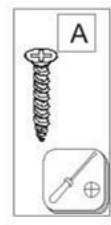
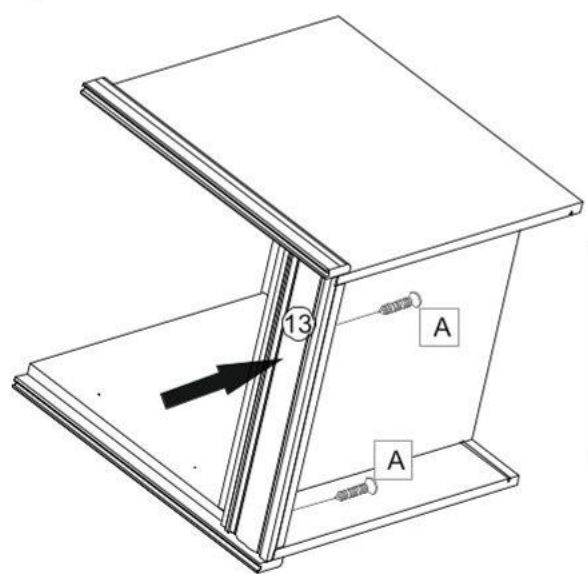
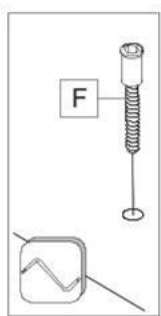
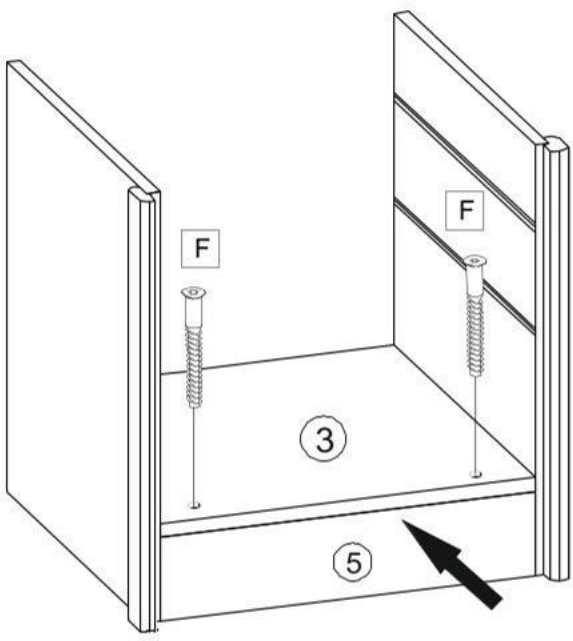
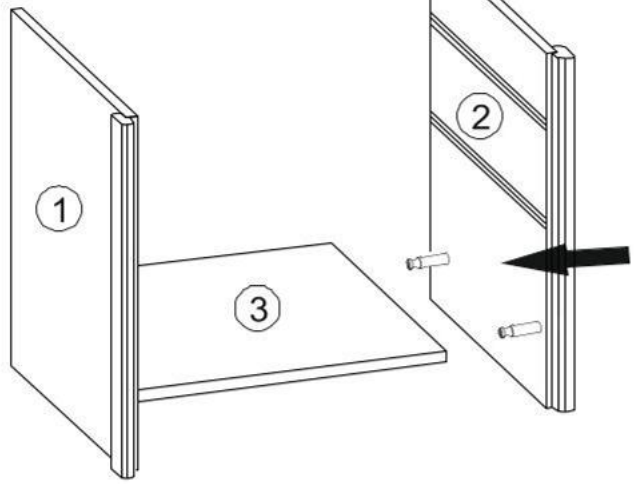
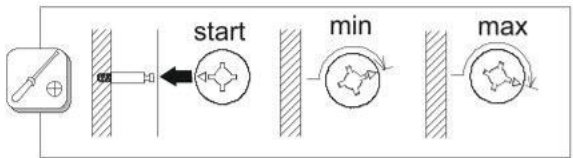
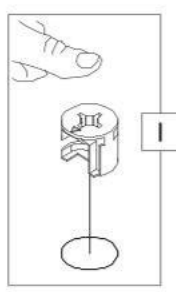
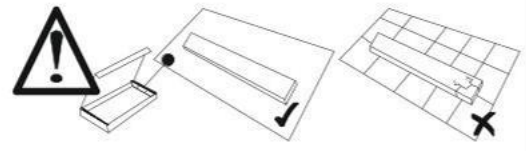
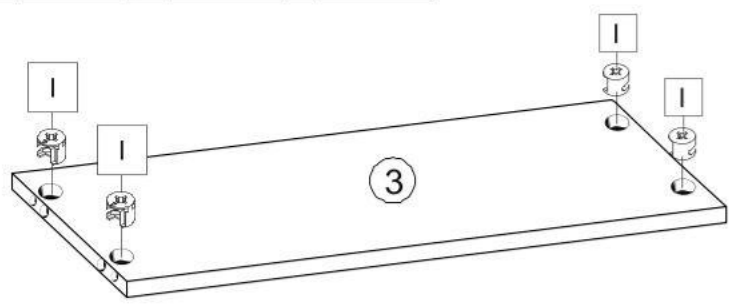
x8



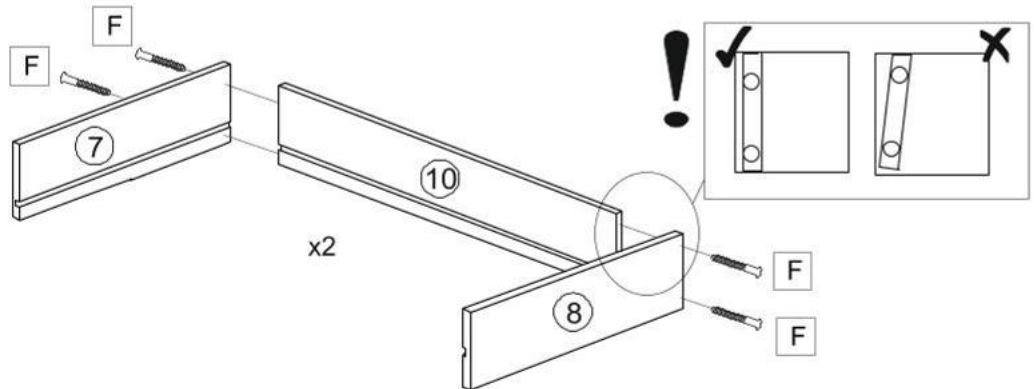
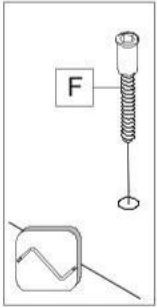
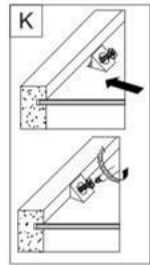
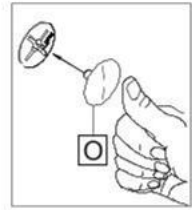
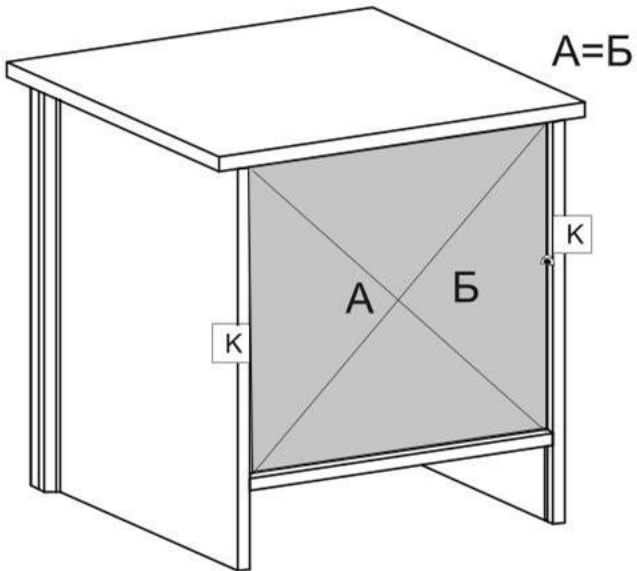
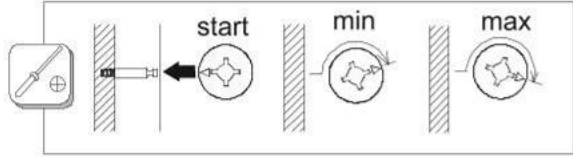
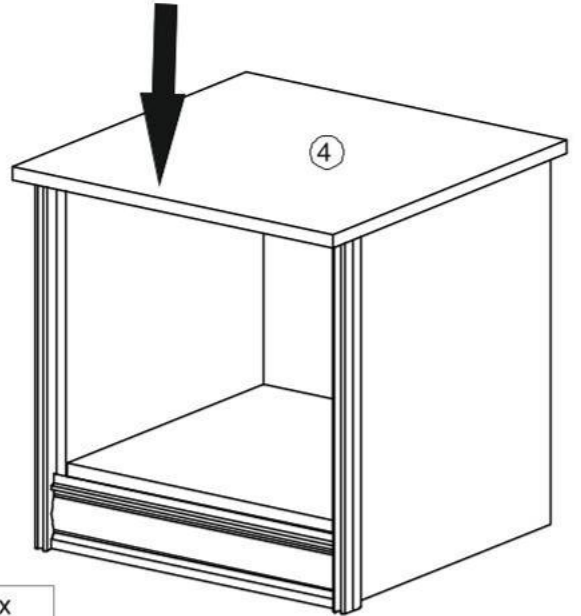
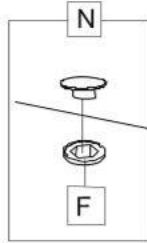
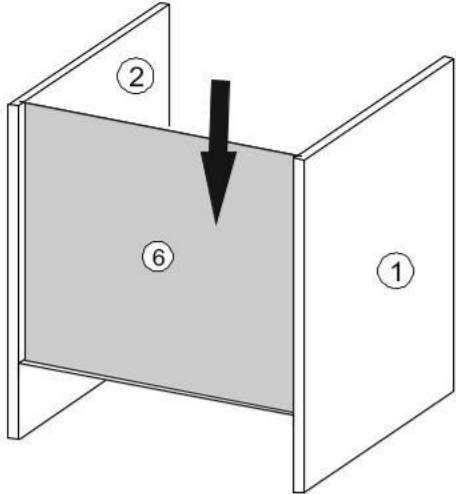
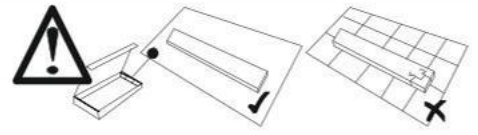
 3,5x30	 8x30	 L=350	 3,5x16	 x4	 x4
B x4	H x8	L x4	J x8	I x4	E x4










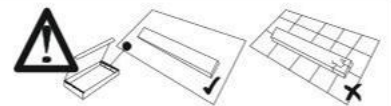
		
A	F	I
x2	x2	x4


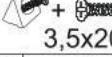



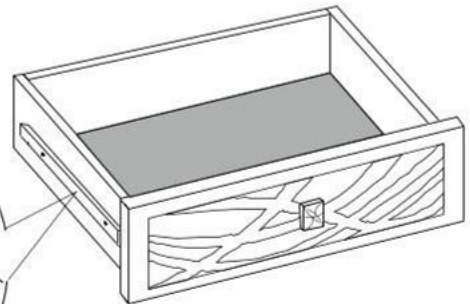
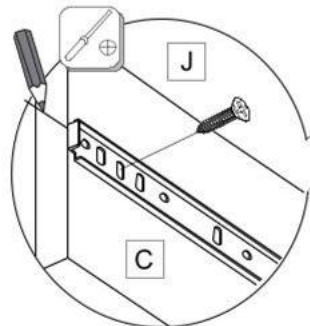
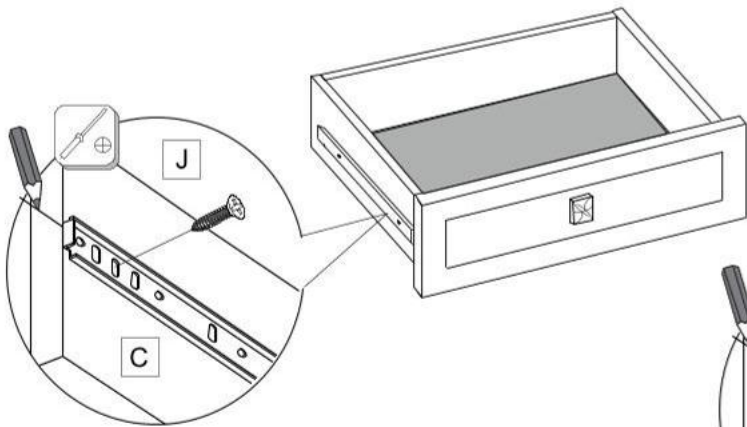
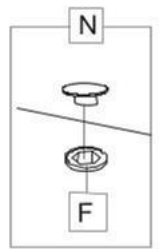
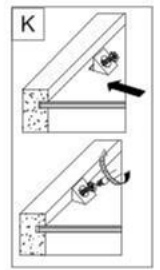
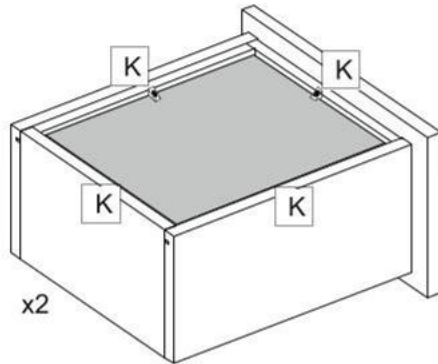
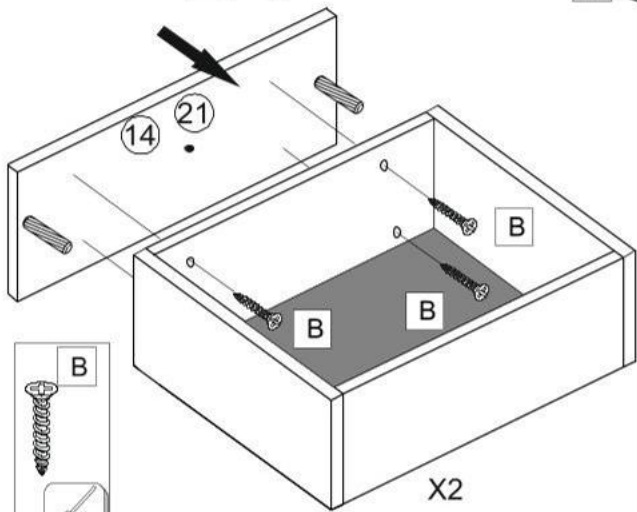
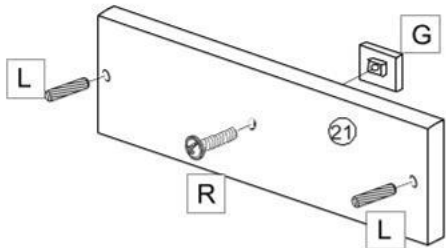
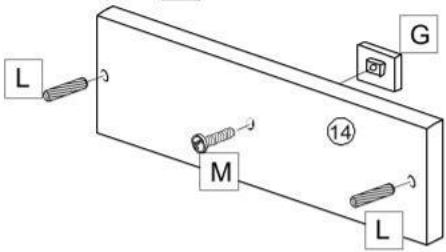
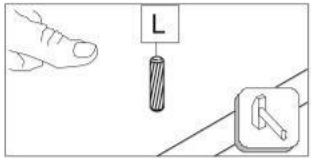
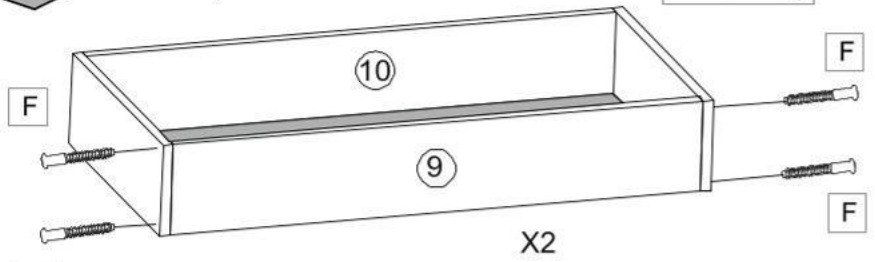
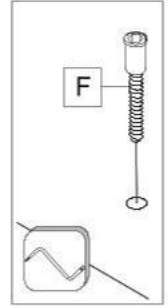
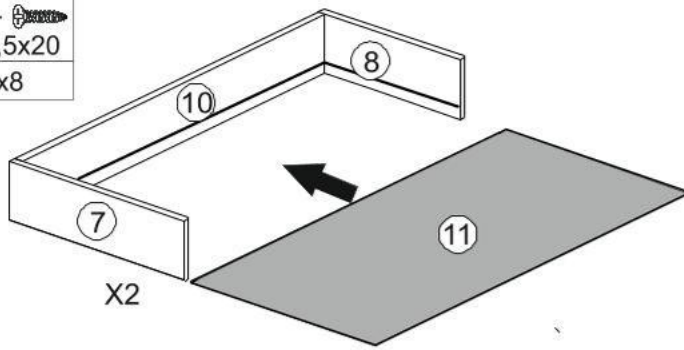
7x50	3,5x20	Ø14	Ø18
F x8	K x2	N x2	O x8




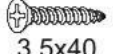
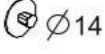


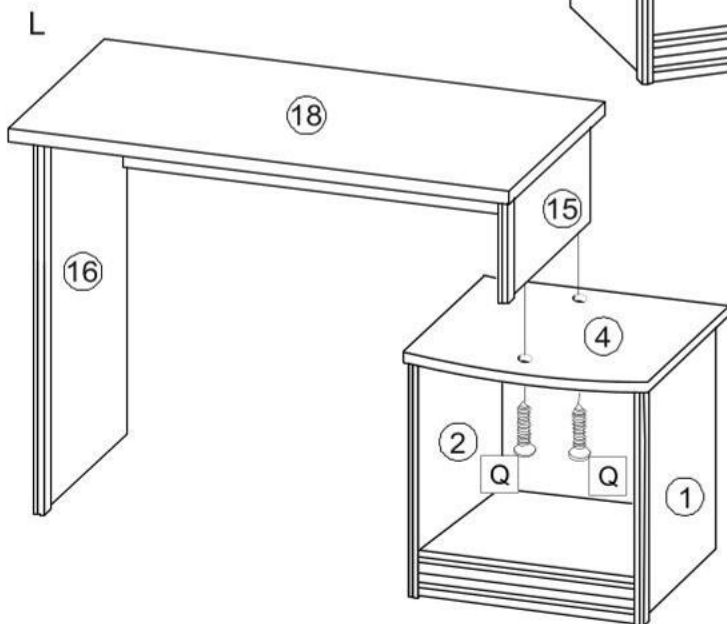
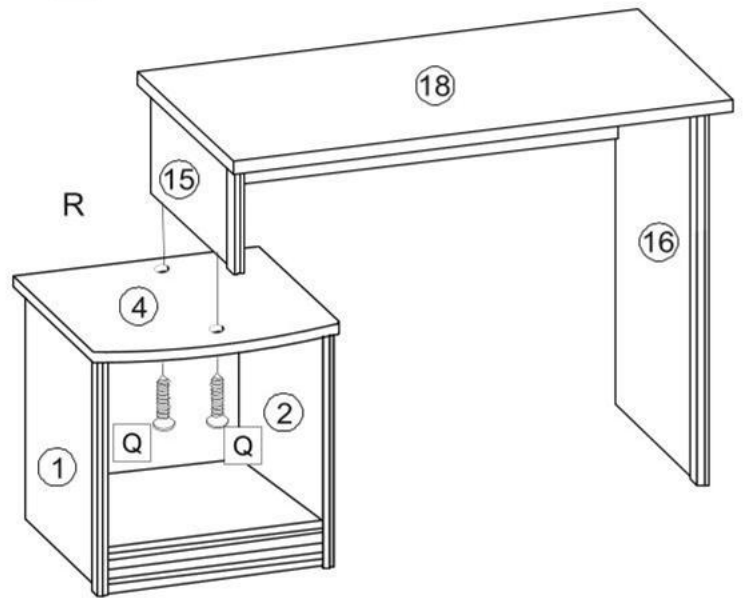
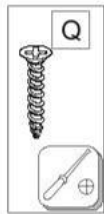
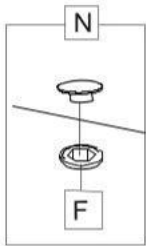
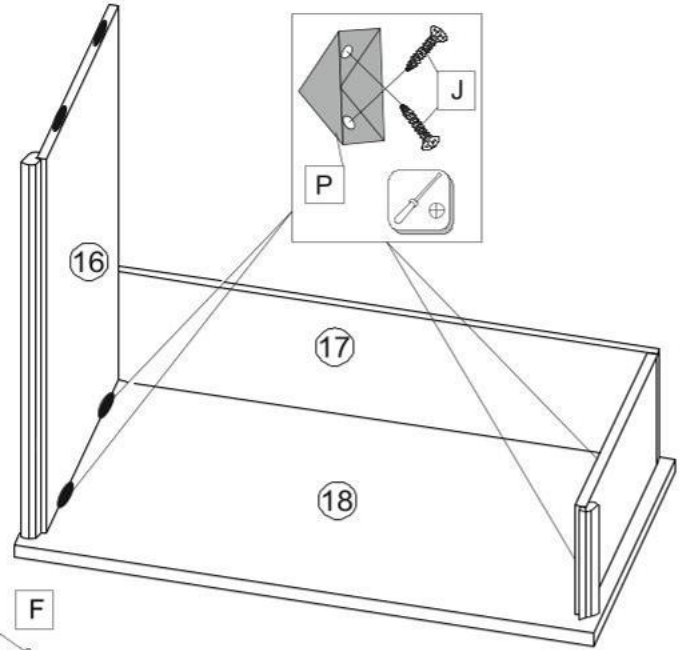
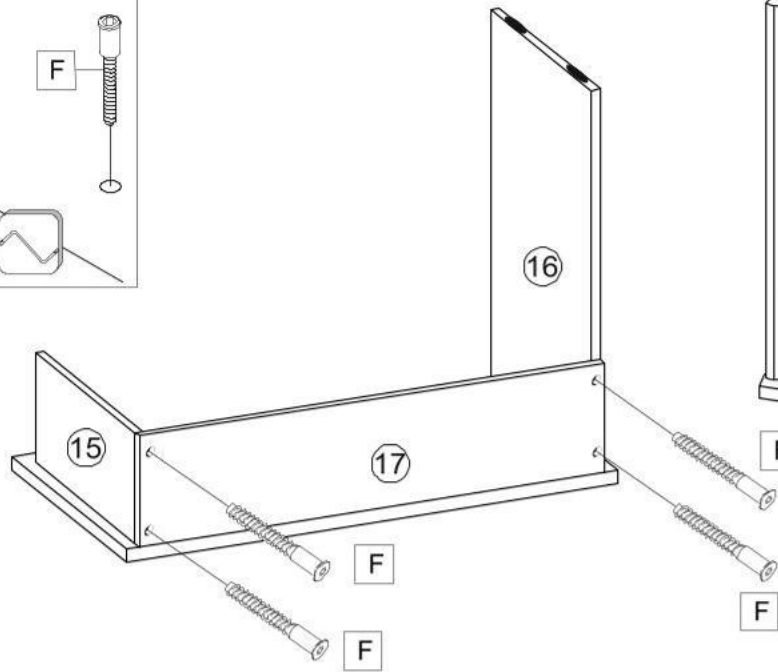
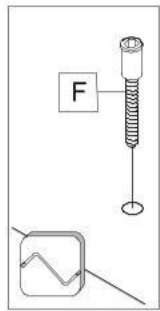
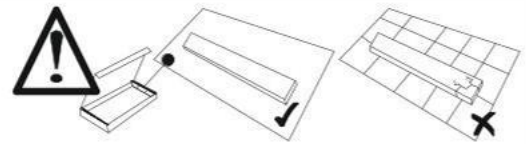
 3,5x30	 3,5x16	 8x30		 M4x8	 7x50	 $\phi 14$
B x8	J x8	L x4	G x2	M x1	F x8	N x16


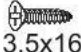


 L=350	 3,5x20
C x2	K x8
 M4x10	
R x1	



									
F	x4	J	x8	P	x4	Q	x2	N	x4



	
D x1	J x2

