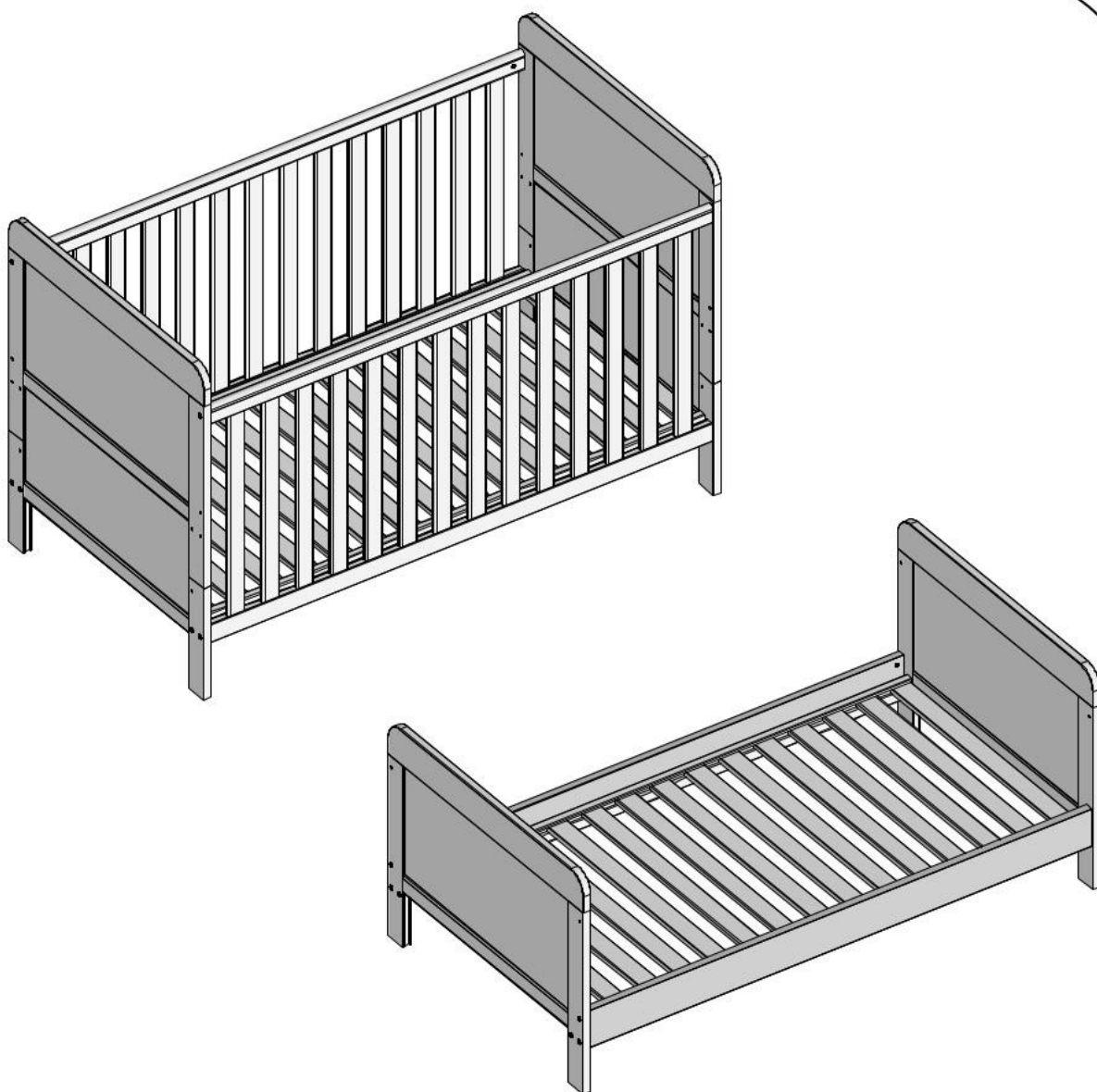


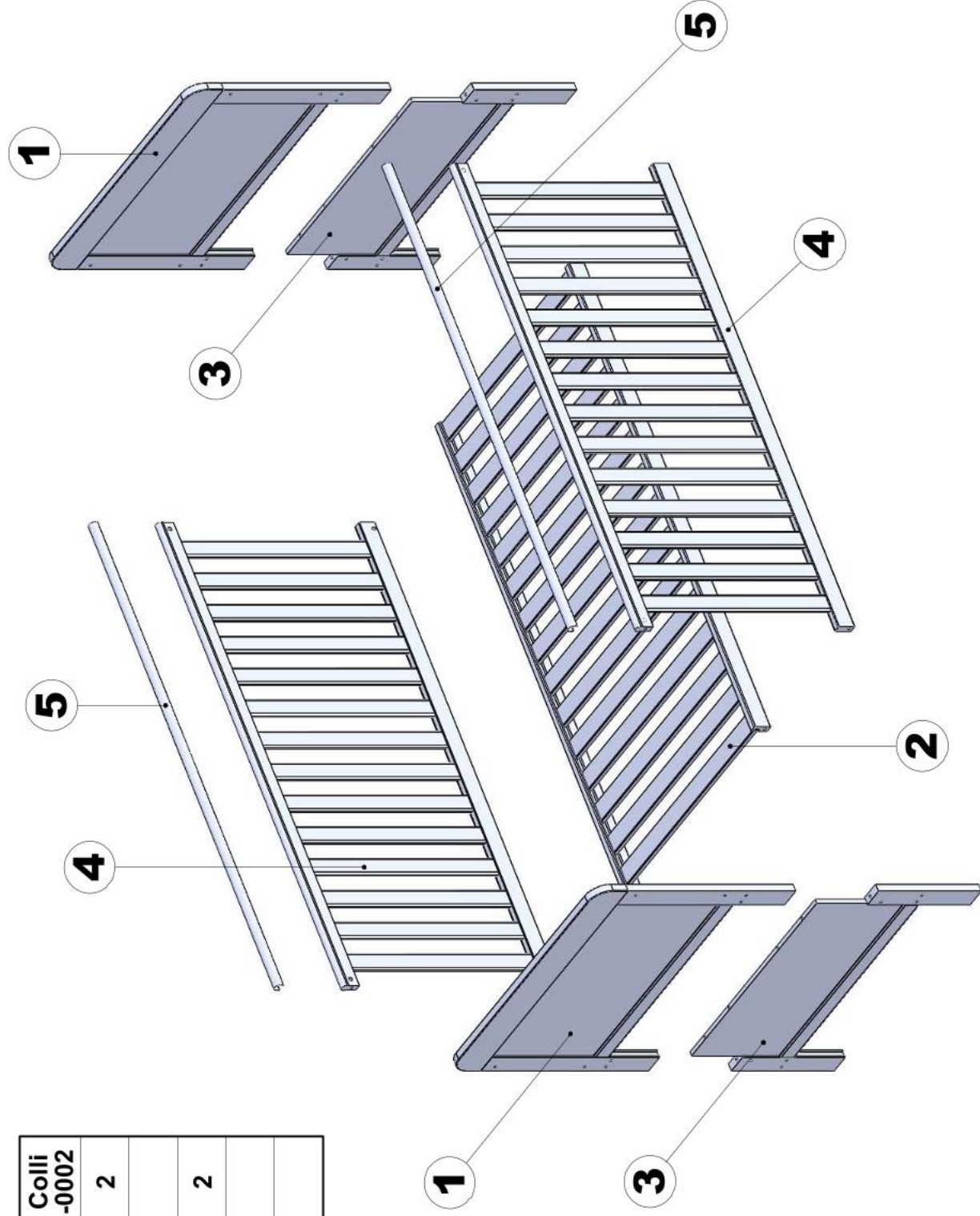
Rostoucí postýlka FUENTE








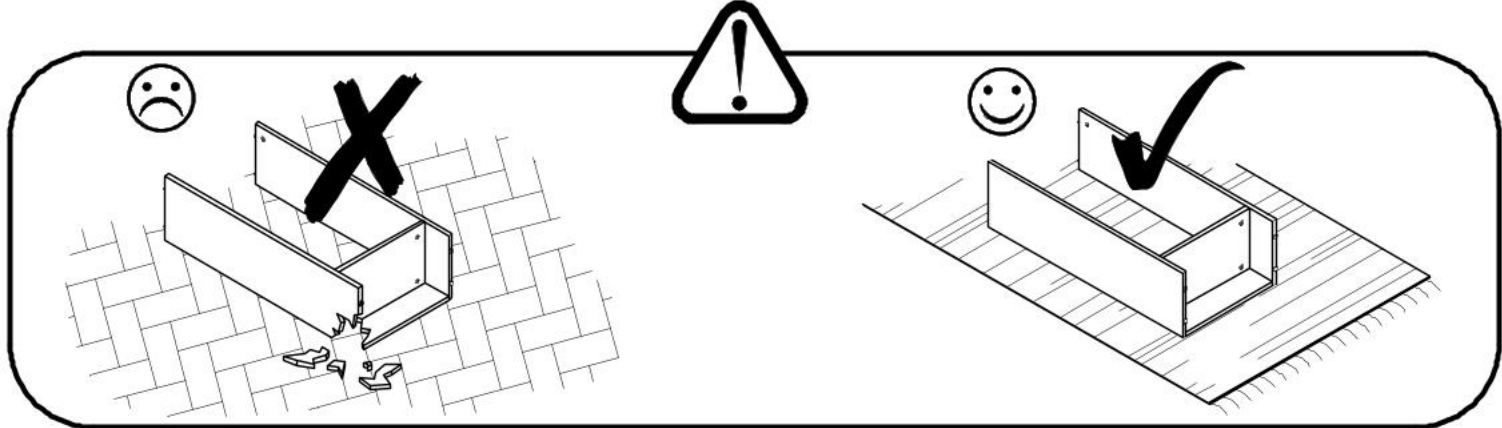
**Assembly and care
instructions**

**IMPORTANT, RETAIN FOR FUTURE
REFERENCE AND READ CAREFULLY.**

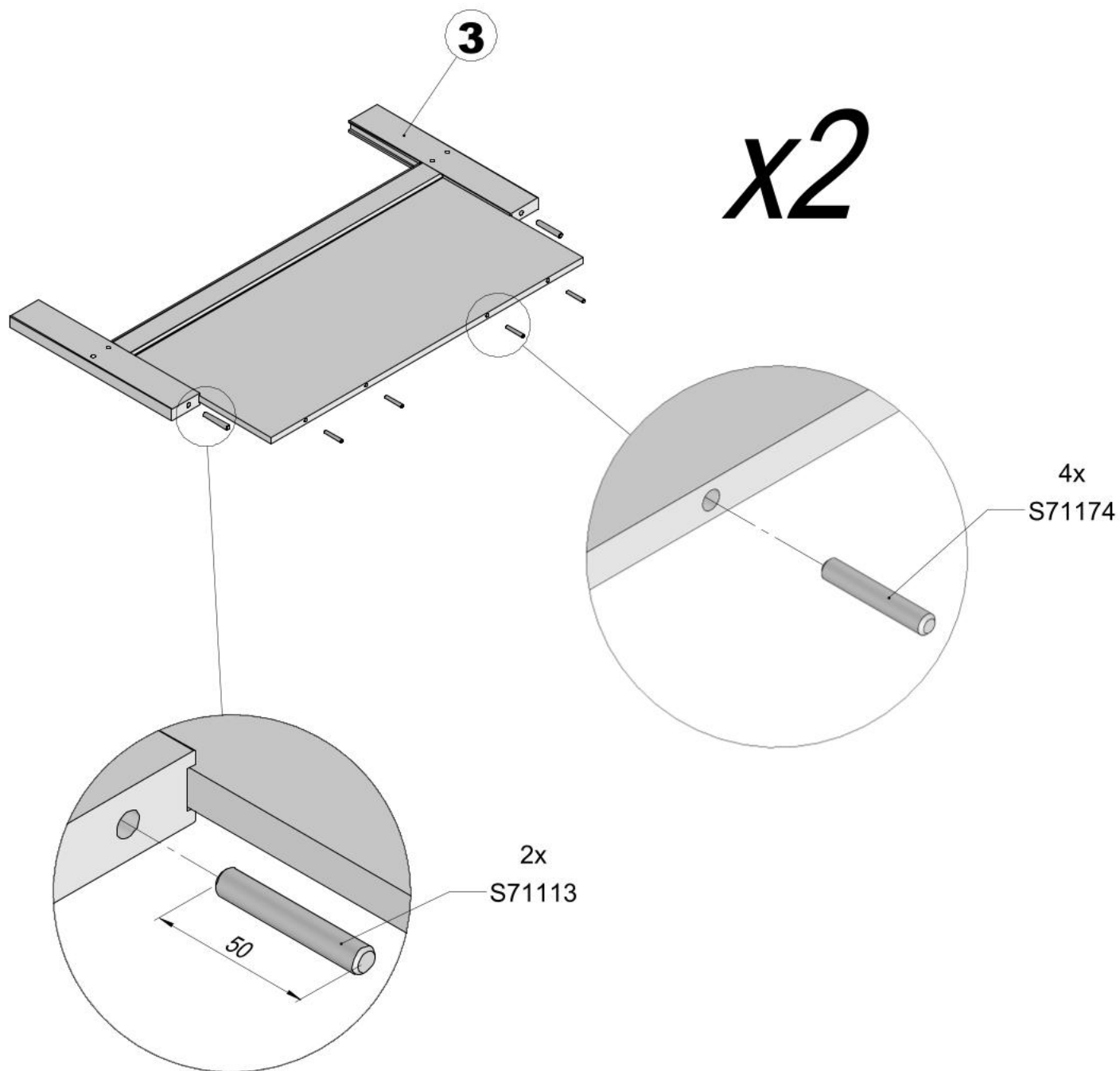
Nr	Code	Colli -0001	Colli -0002
1	71427N		2
2	S71217	1	
3	71428N		2
4	130642	2	
5	S36357	2	



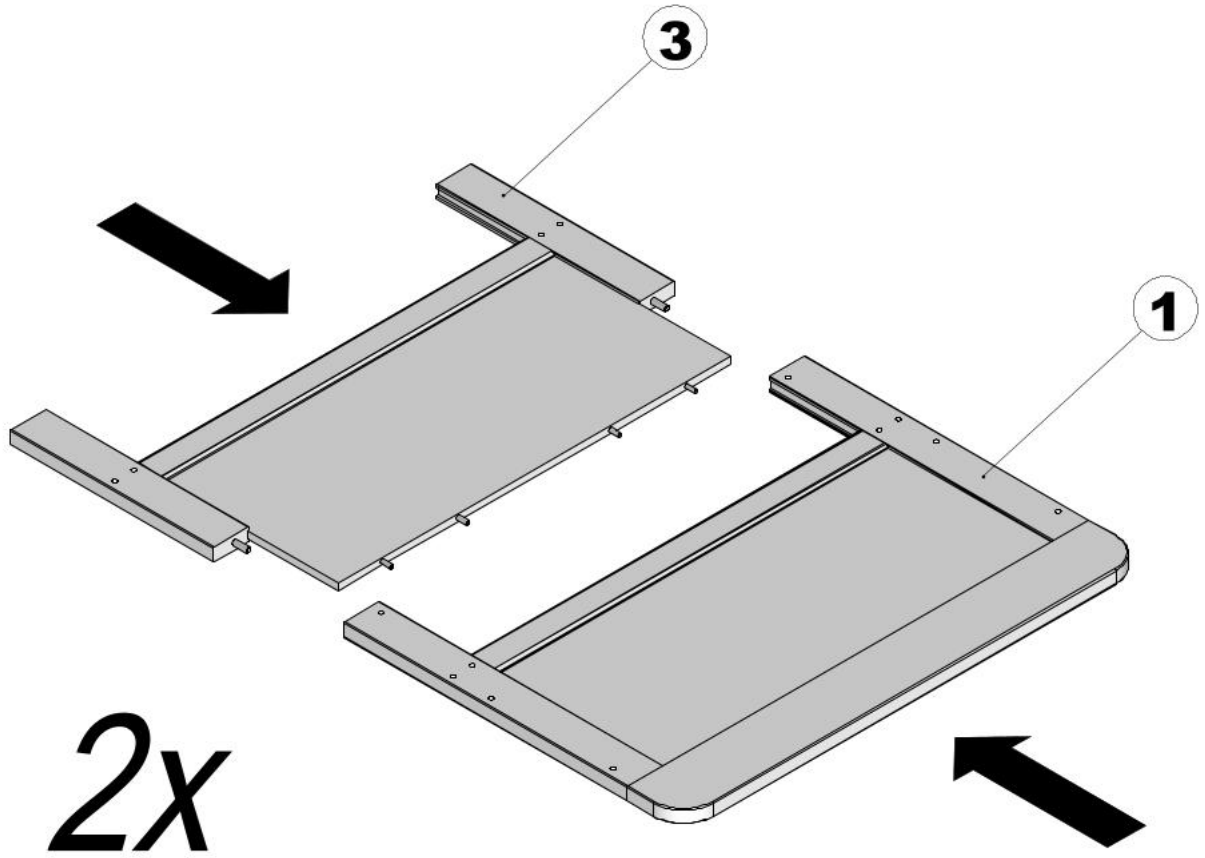
<p>8x S71174</p> <p>Ø6x35</p> 	<p>4x S71113</p> <p>Ø8x50</p> 	<p>12x SF30350</p> 	<p>1x S30066</p> 
<p>12x S31801</p> <p>M6x57</p> 			



1

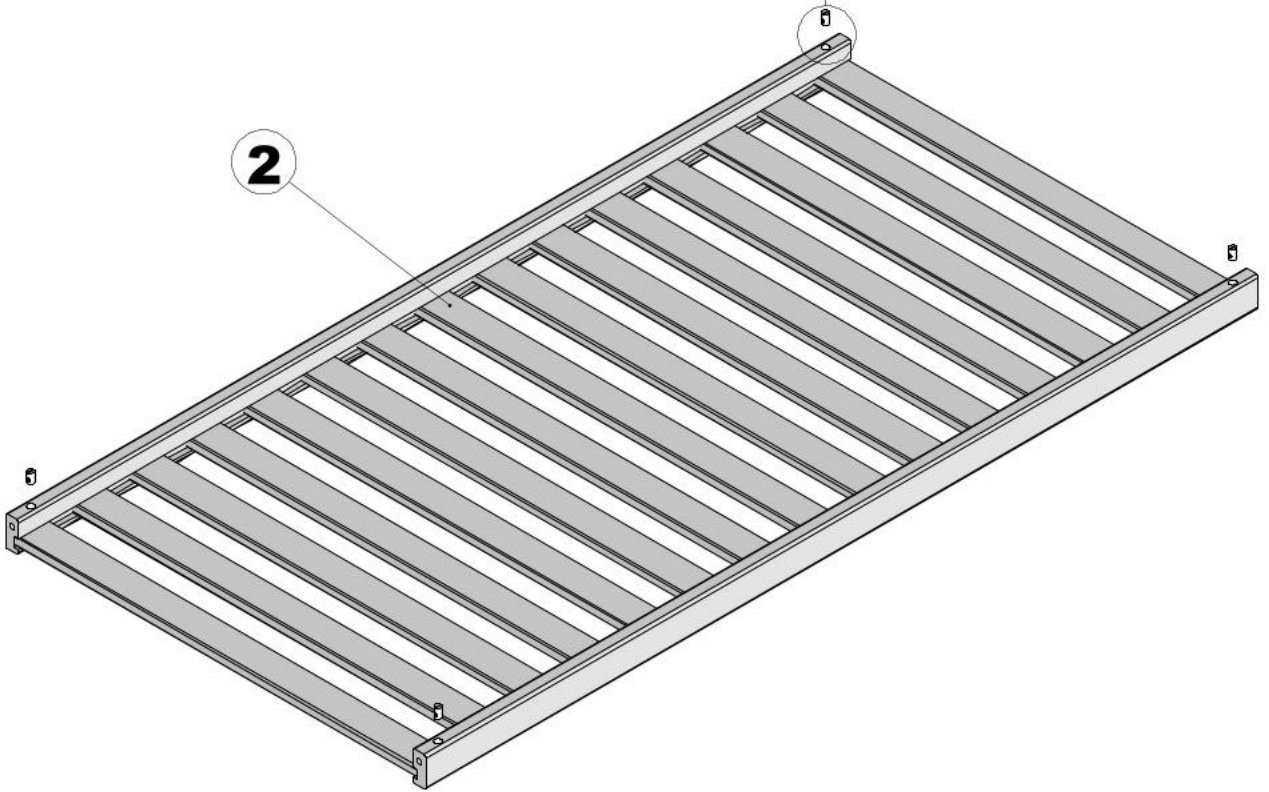
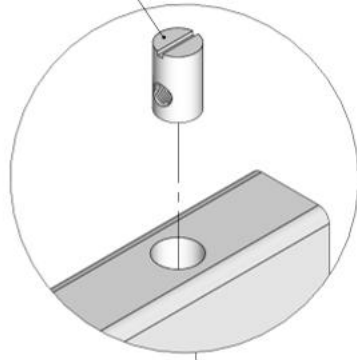


2

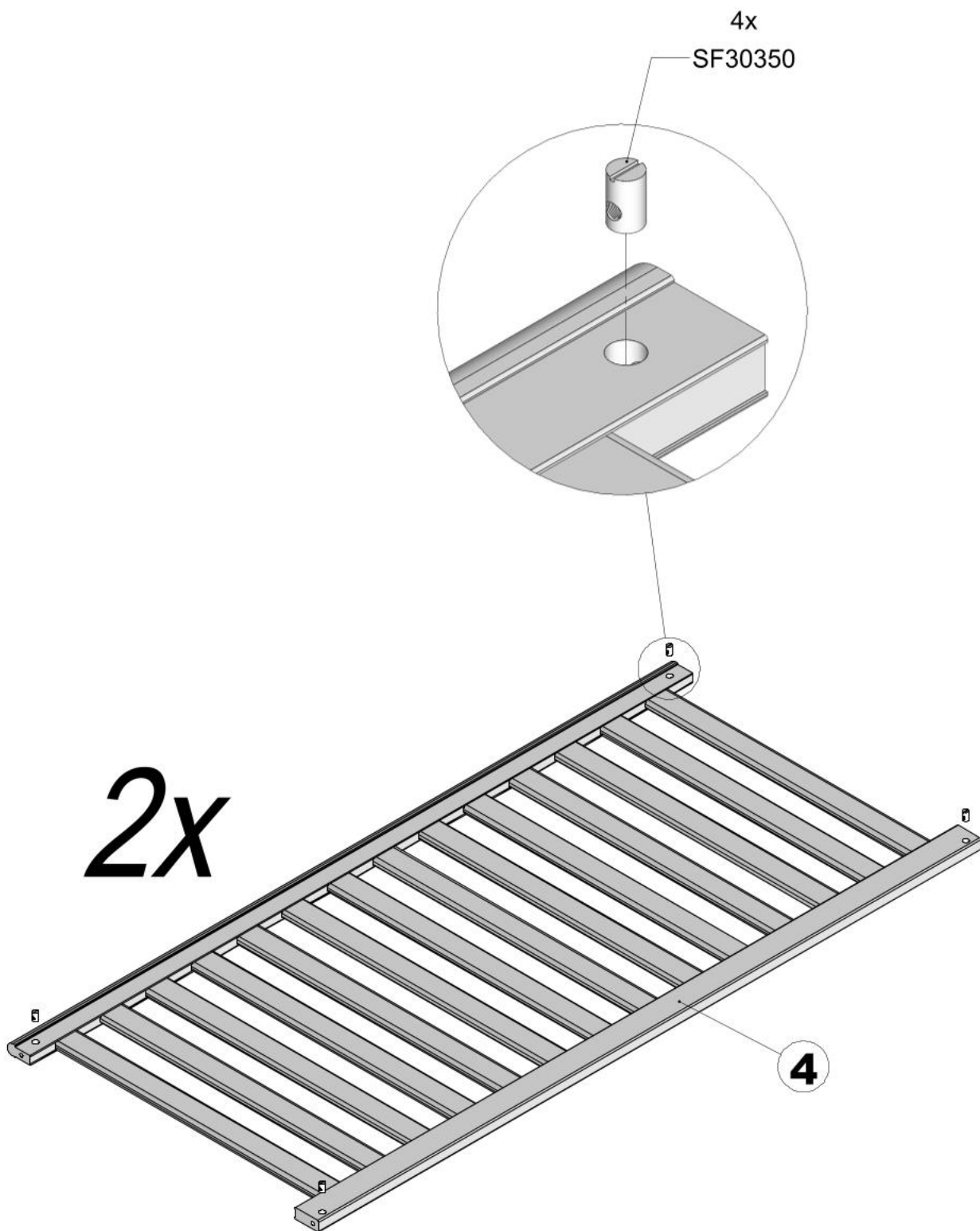


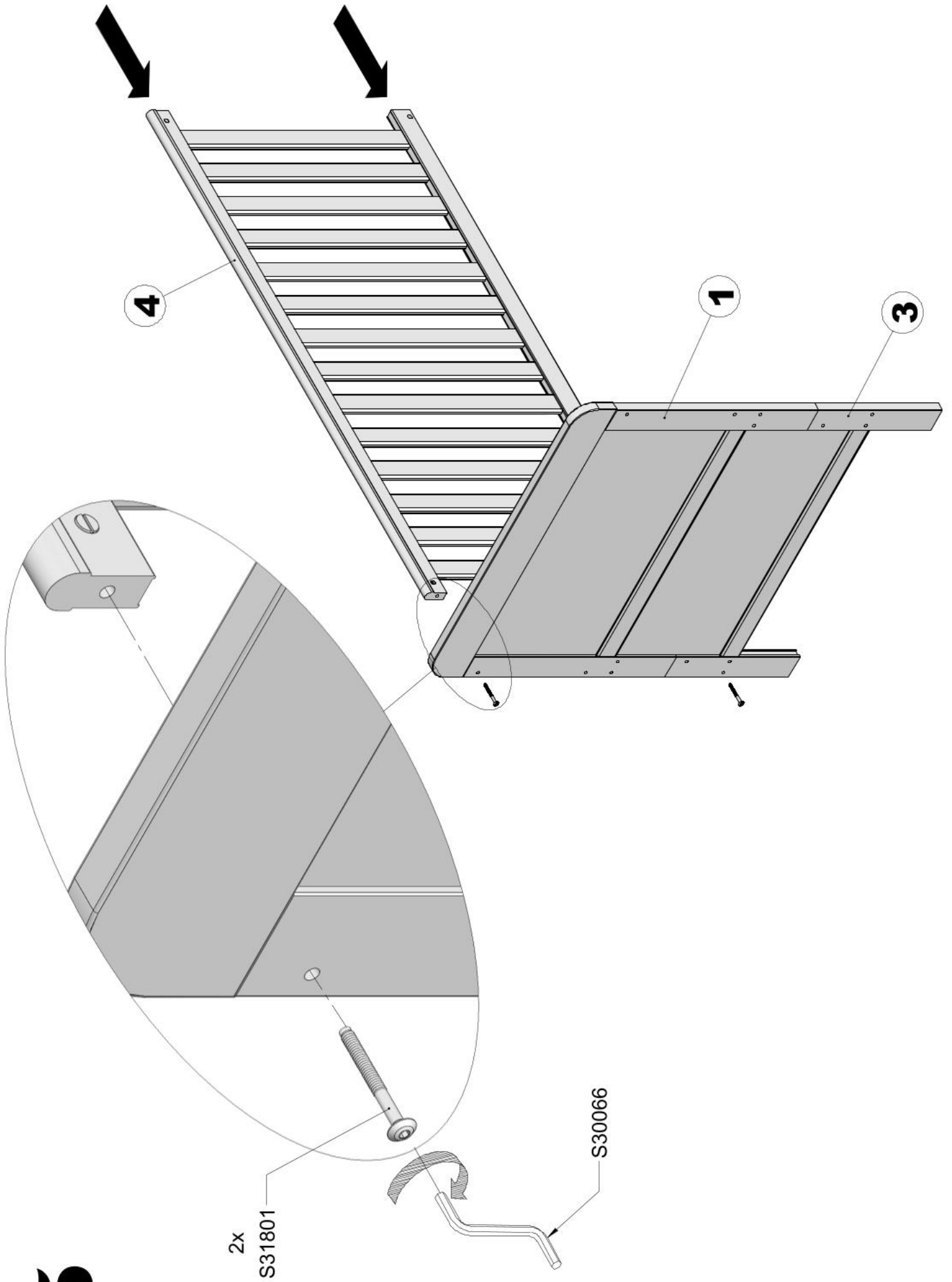
3

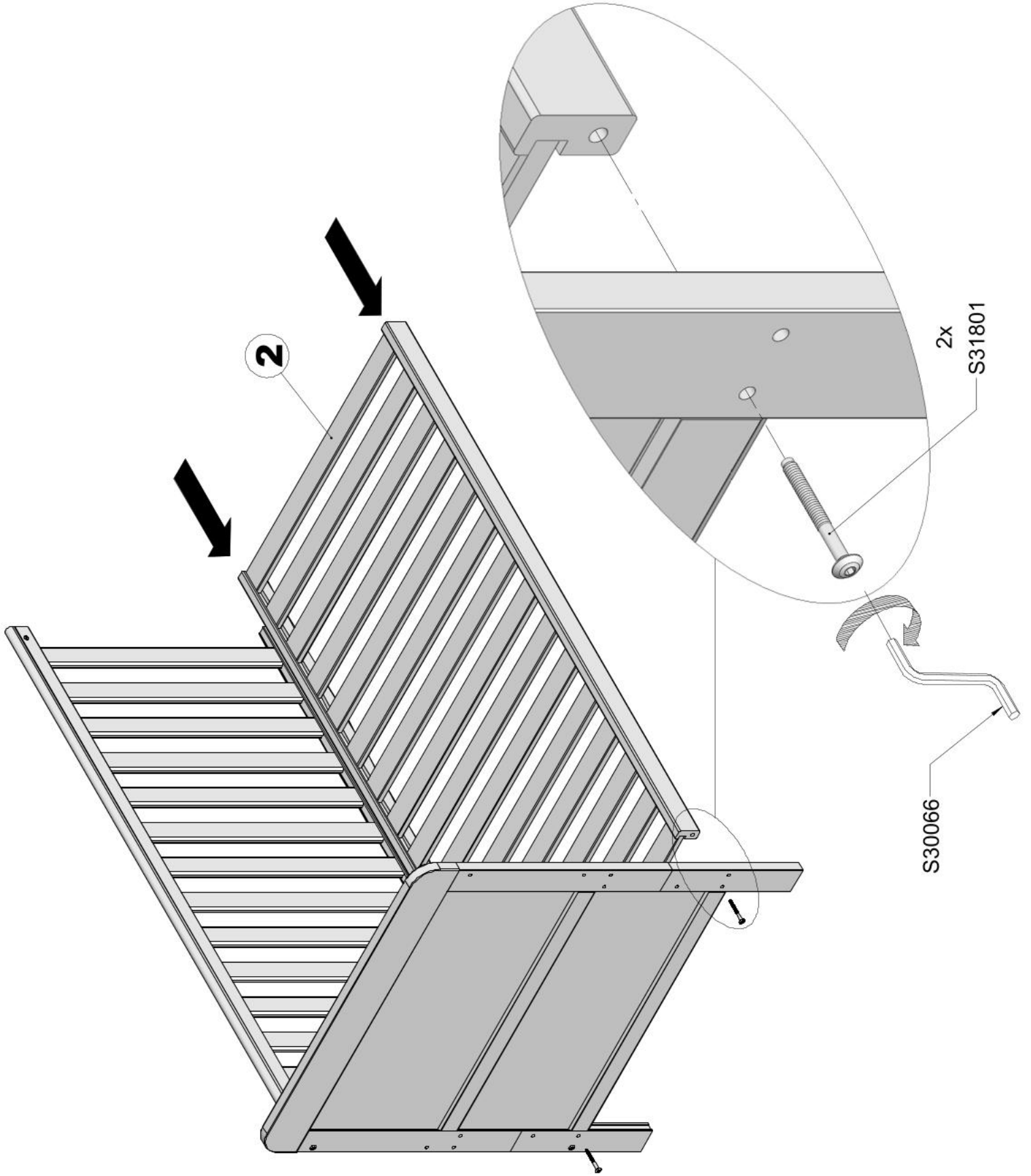
4x
SF30350

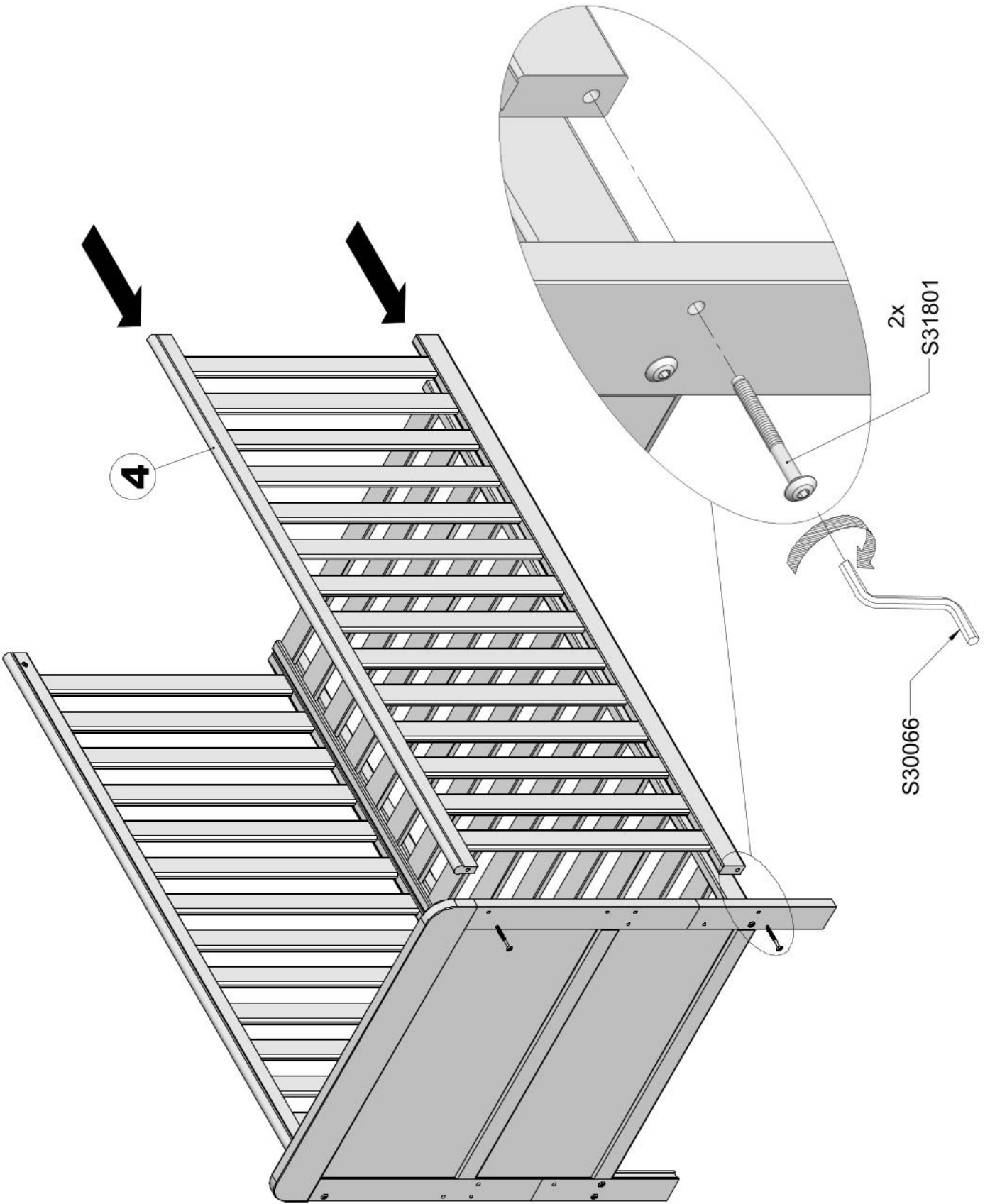


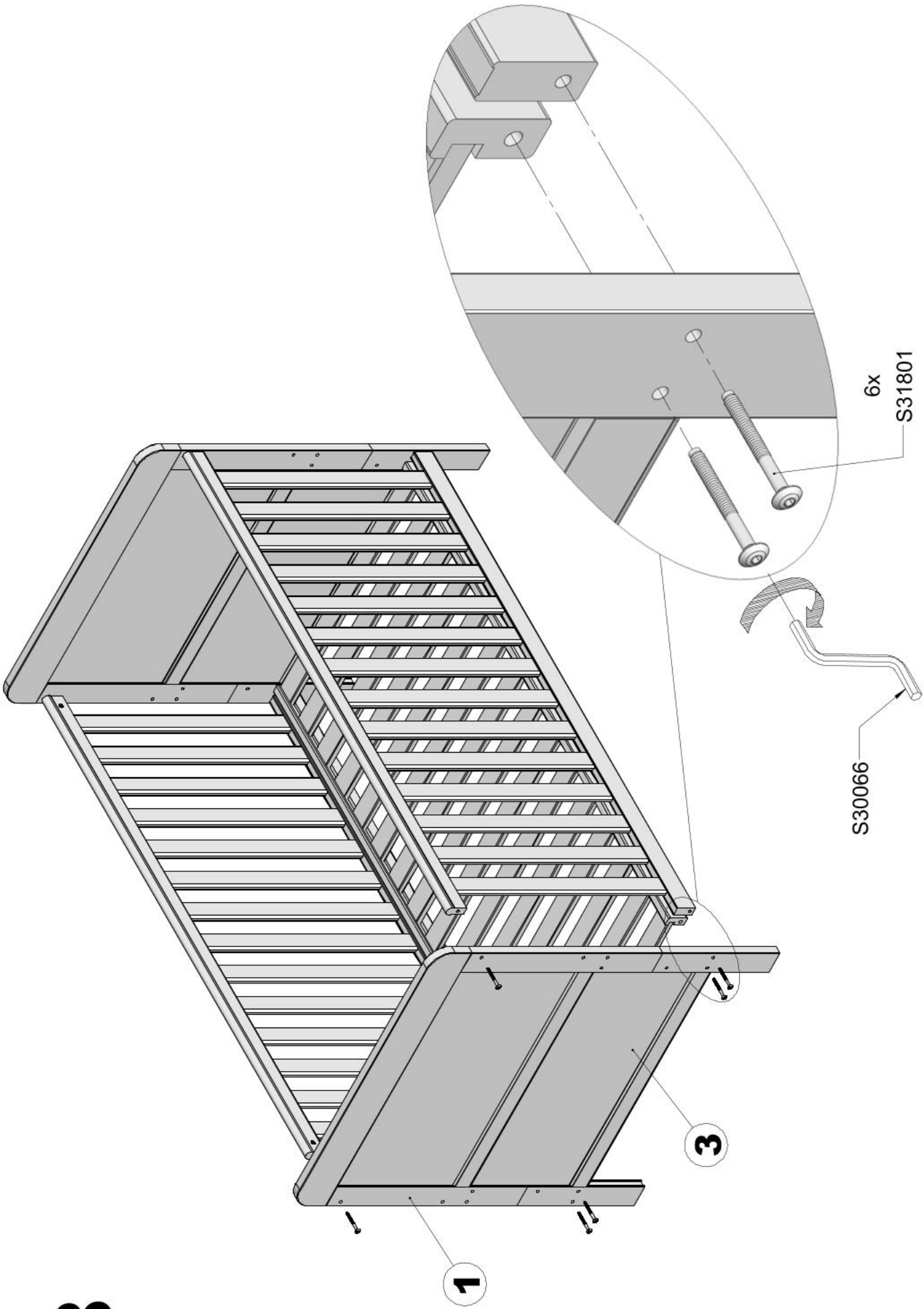
4

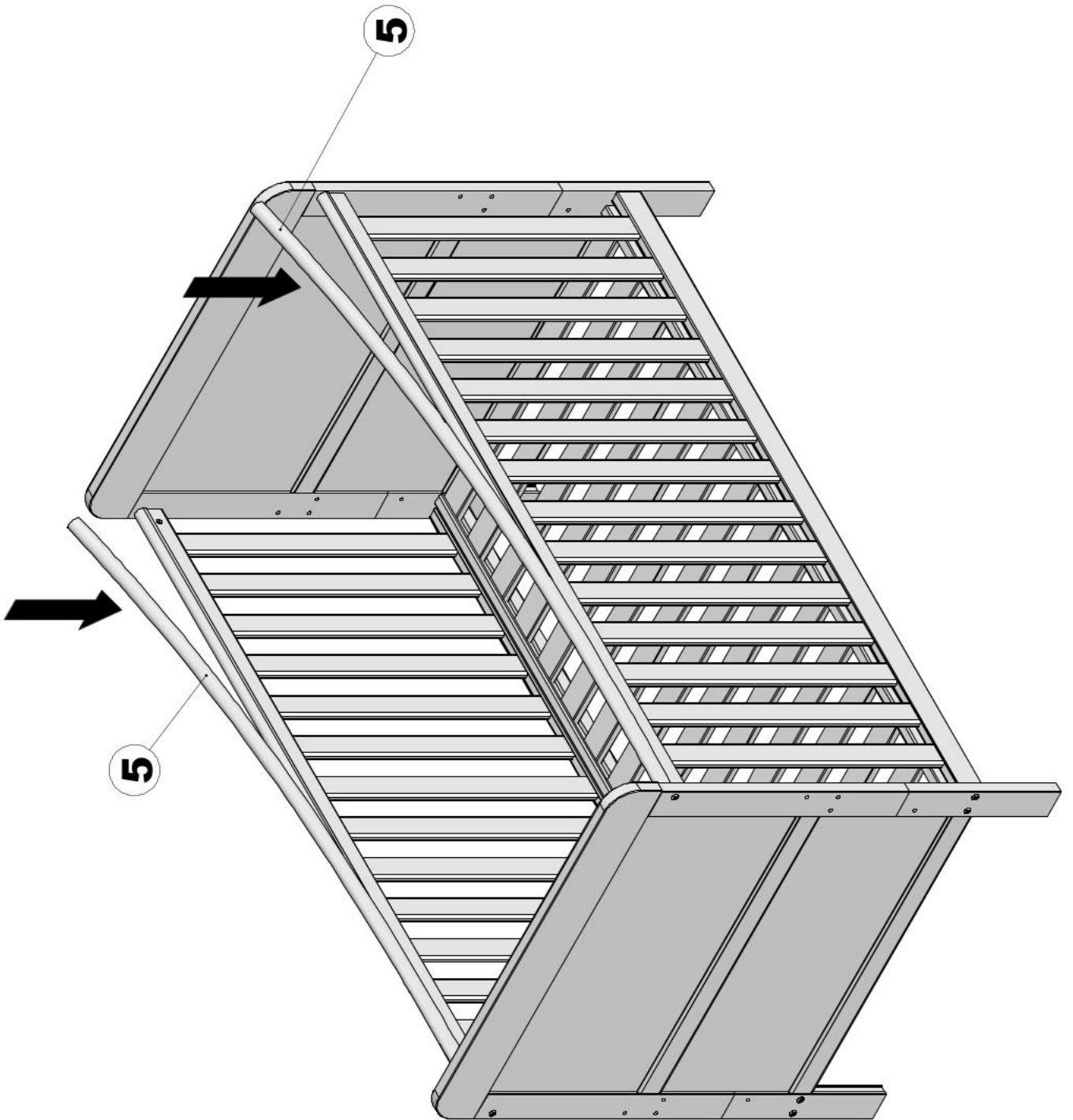




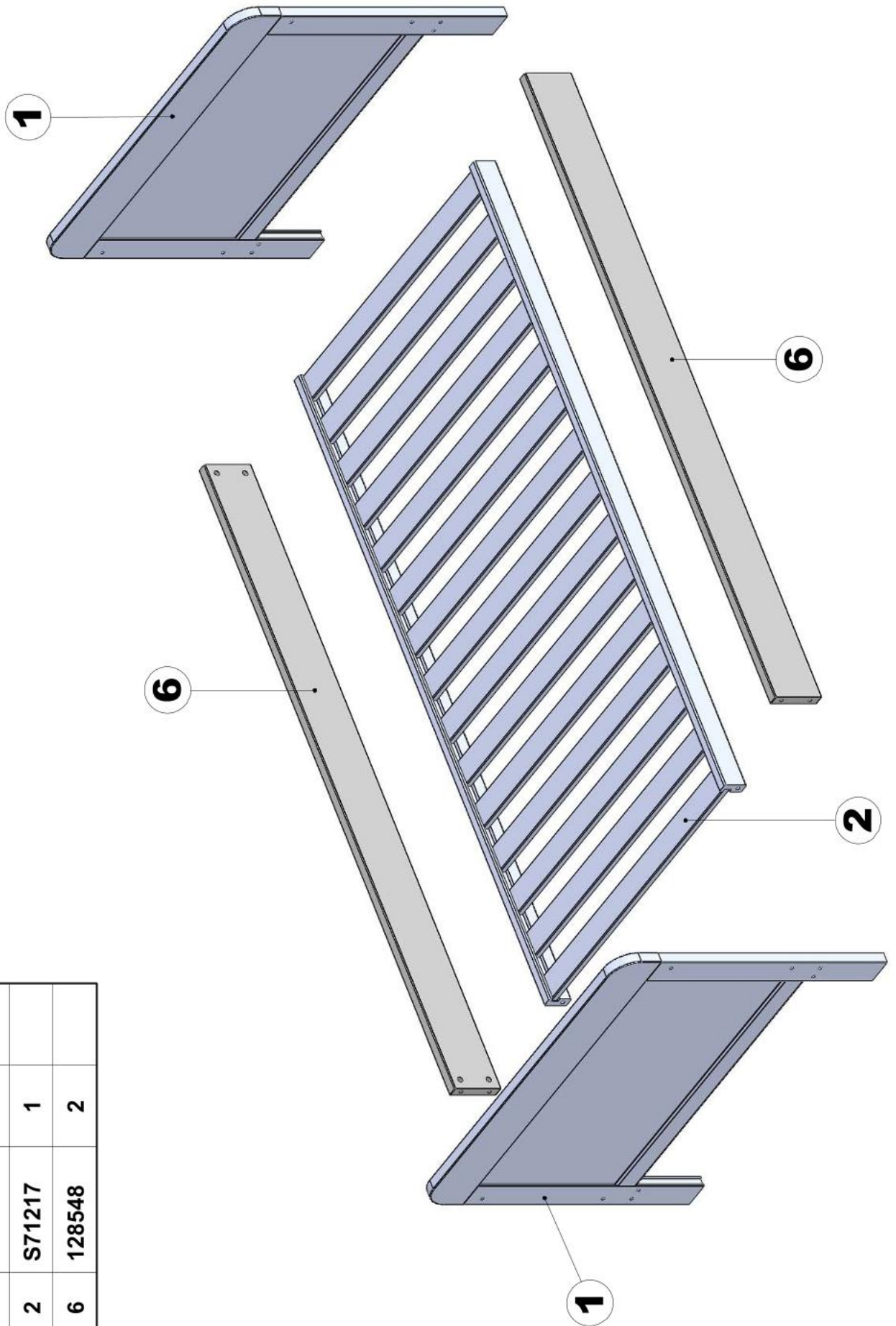




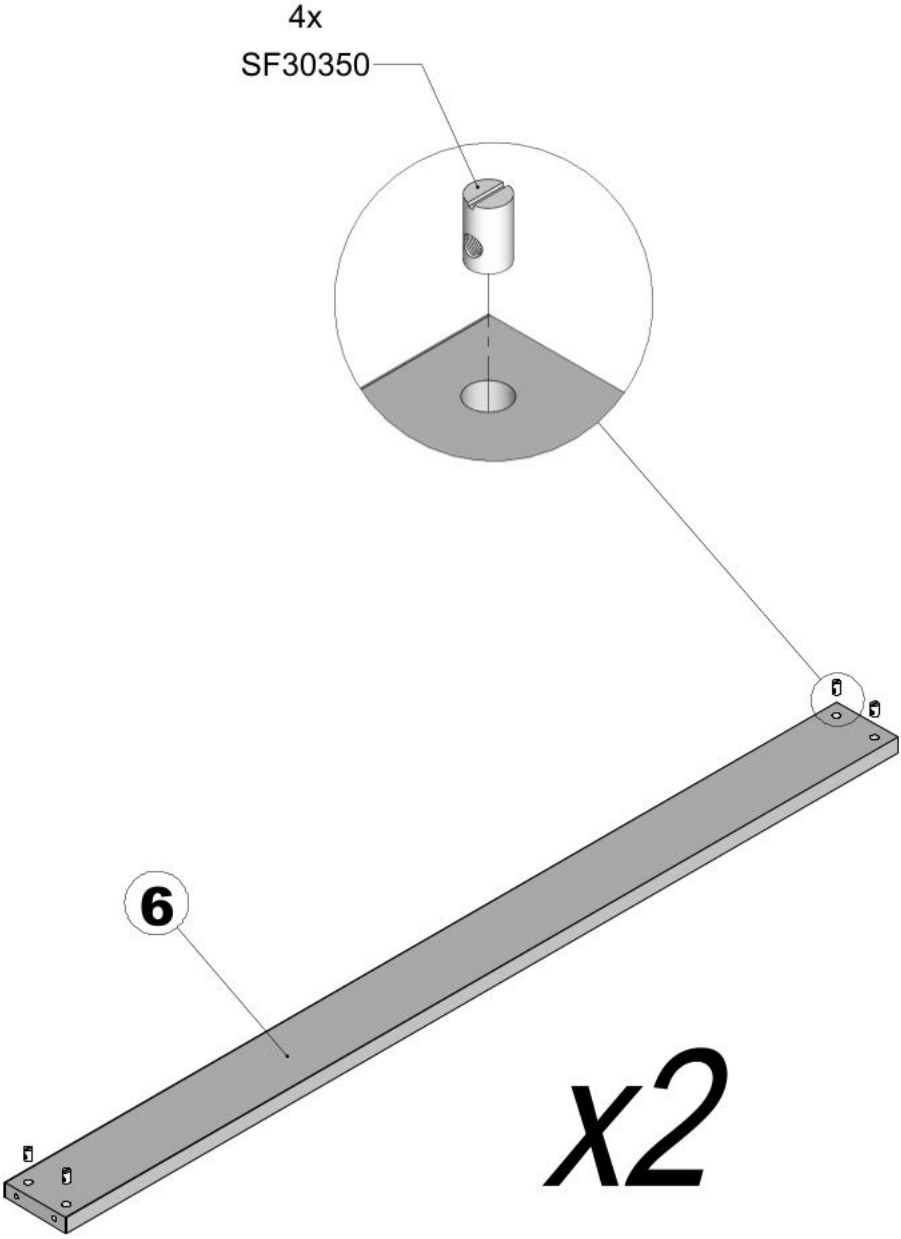




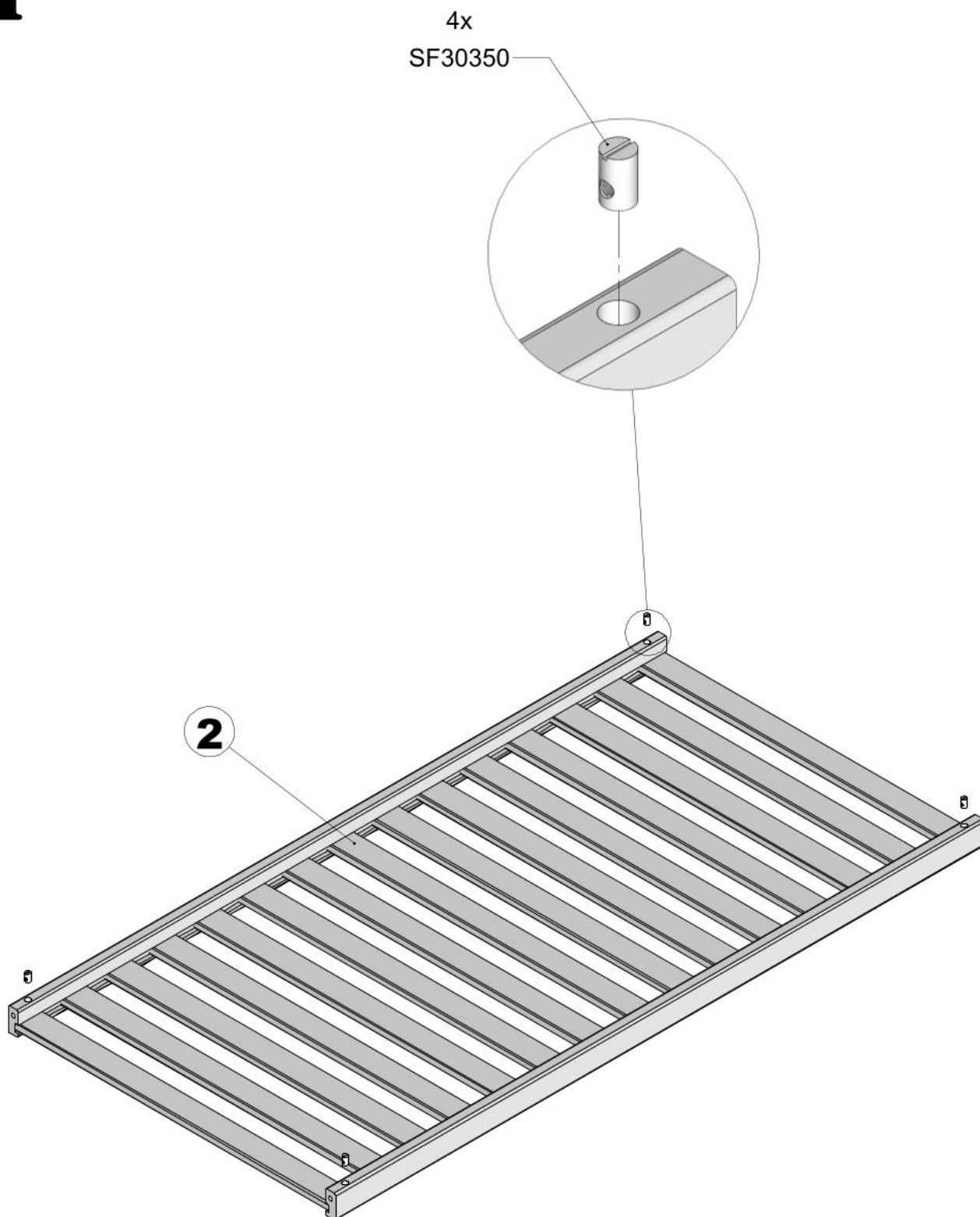
Nr	Code	Colli -0001	Colli -0002
1	71427N		2
2	S71217	1	
6	128548	2	

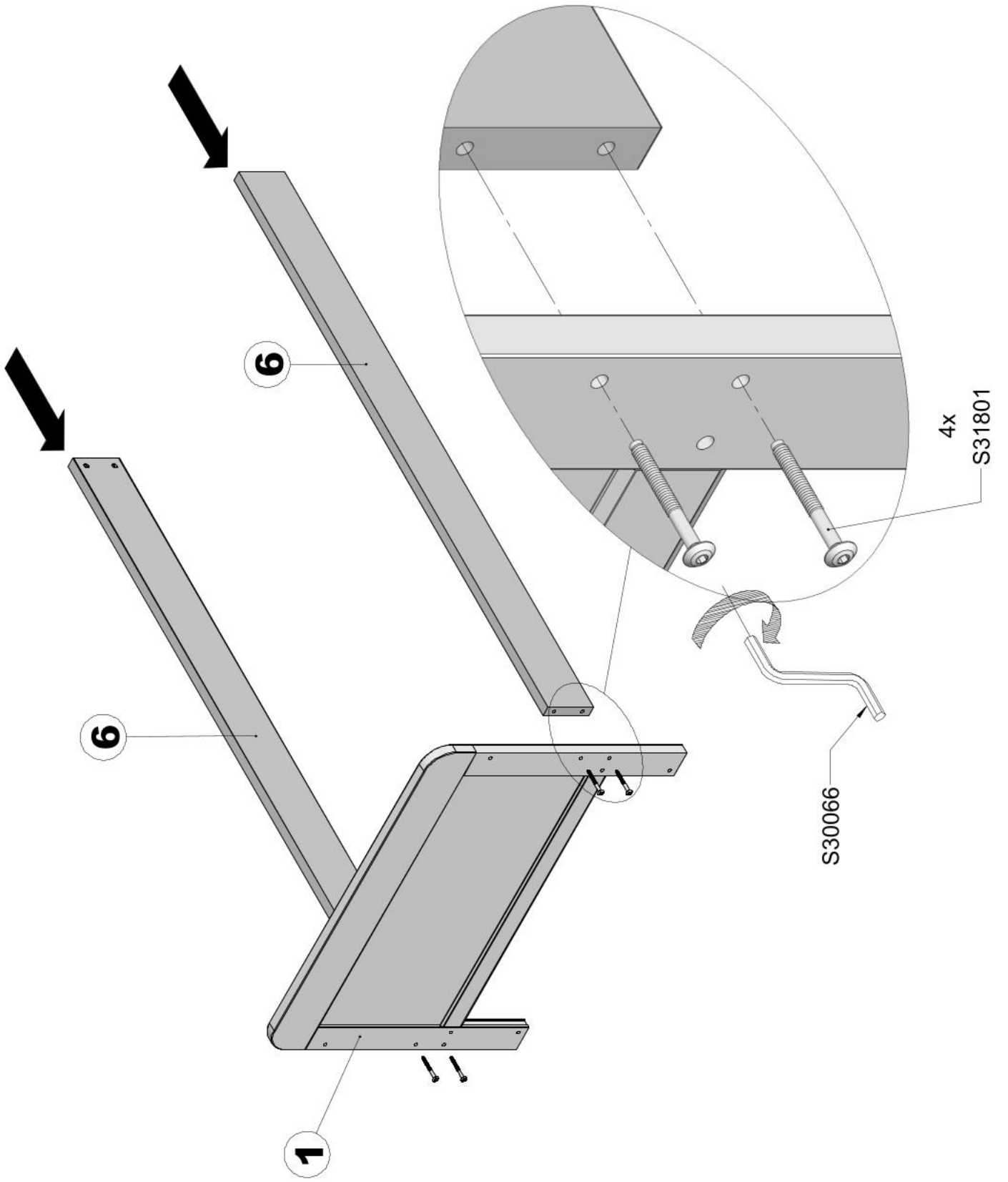


10

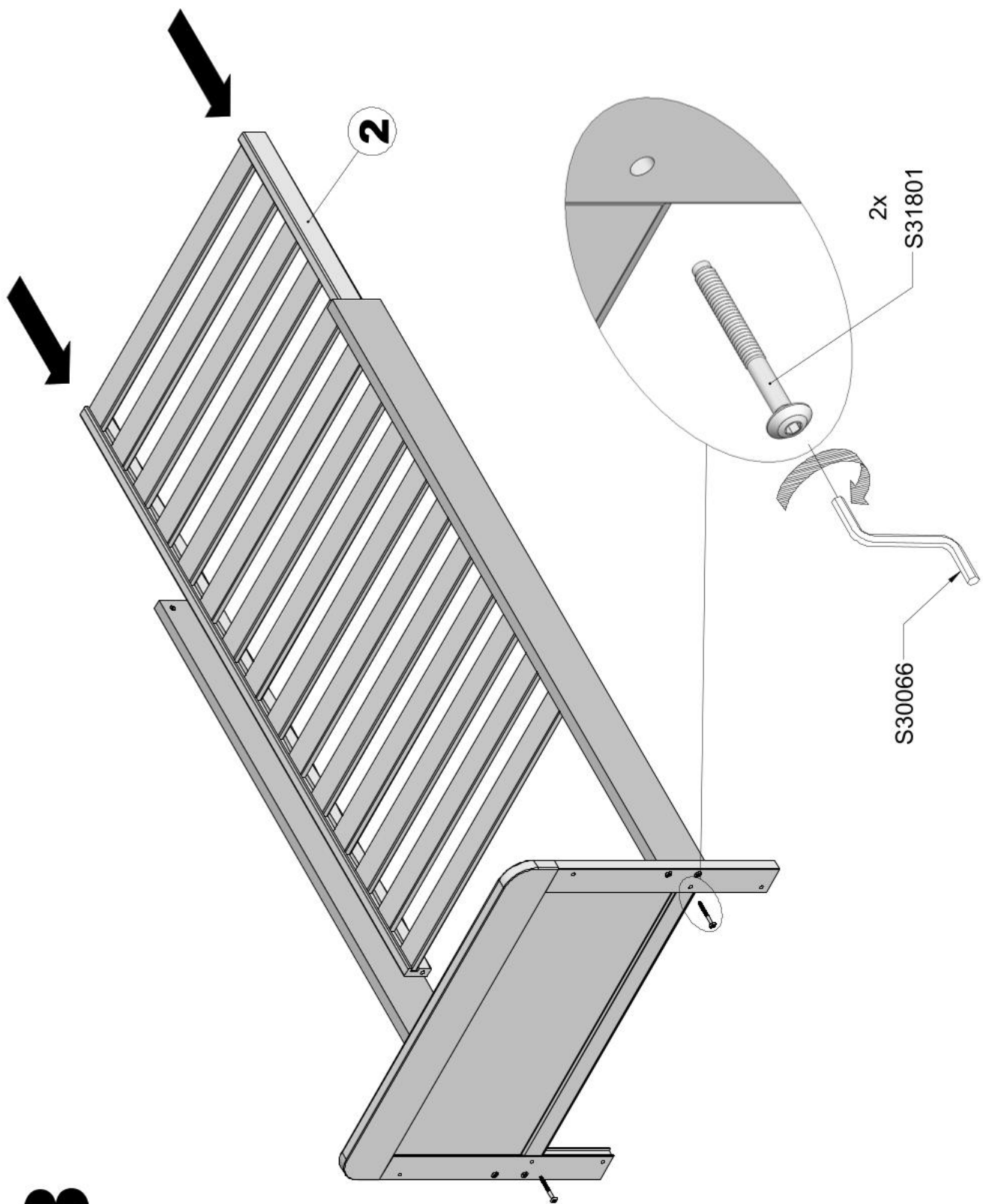


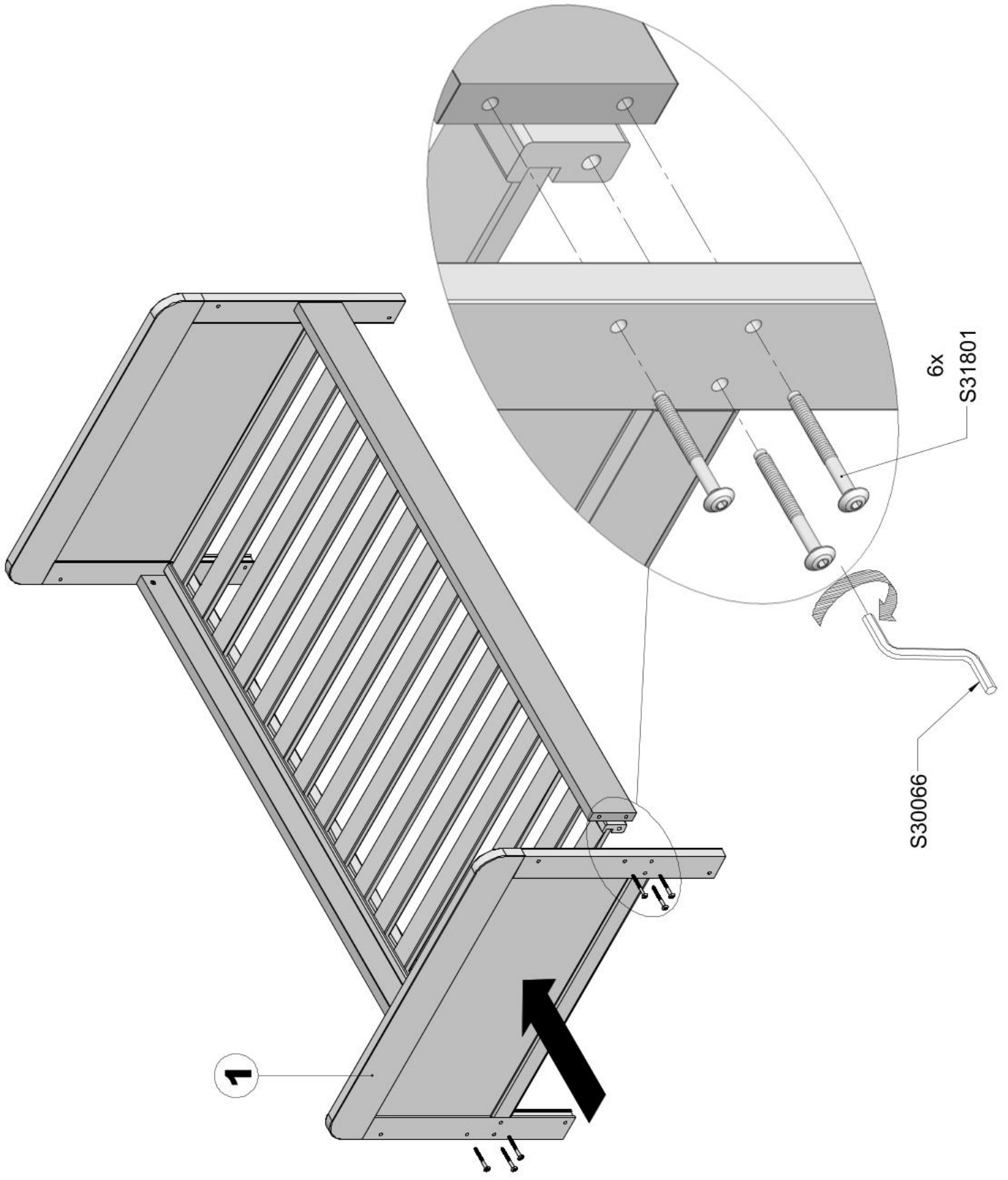
11





13





Care and maintenance

All assembly fittings should be tightened properly and should be checked regularly and re-tightened as necessary. Take care when moving the furniture, as careless handling may cause damage.

Cleaning is simple; just wipe over with a damp cloth, and avoid using strong detergents or abrasives.

An occasional light application of a wax polish will help maintain the finish.

In use

WARNING: YOUR CHILDREN'S SAFETY IS YOUR RESPONSIBILITY

The base can be adjusted in height in cot mode, but the lowest position is the safest and should always be used in that position as soon as the baby is old enough to sit up.

This product is suitable for a mattress of 1400mm long and 700mm wide.

Check the length and width of the mattress, to ensure the gap between the mattress and the sides and ends does not exceed 30mm.

When used in cot mode, the maximum thickness of the mattress is 100mm.

Check the thickness of the mattress, to ensure that the internal height (surface of the mattress to the upper edge of the cot frame) is at least 500mm in the lowest position of the cot base and at least 200mm in the highest position of the cot base.

To prevent injury from falls, the cot should no longer be used for the child once they are able to climb out of the cot.

The bed mode is suitable for a child from 18 months to 4 years old.

Children are likely to play, bounce, jump and climb on beds, therefore the child's bed should not be placed too close to other furniture or windows, blind cords, curtain pulls or other strings or cords.

It should either be placed tightly against any wall or have a gap of 300mm between the wall and the side of the bed.

This product has been designed and manufactured to: BS EN 716-1: 2017 + AC:2019 in cot mode and BS 8509: 2008+A1: 2011 in bed mode.

Warning: Do not use the cot or bed if any part is broken, torn or missing and use only spare parts approved by the manufacturer.

Warning: Do not leave anything in the cot or place the cot close to another product, which could provide a foothold or present a danger of suffocation or strangulation, e.g. strings, blind/curtain cords, etc.

Warning: Do not use more than one mattress in the cot.

Warning: Be aware of the risk of open fires and other sources of strong heat, such as electric bar fires, gas fires, etc. near the vicinity of the cot.

Warning: Do not place the child's bed near heat sources, windows or other furniture.

This product can be dismantled carefully for storage and transportation.