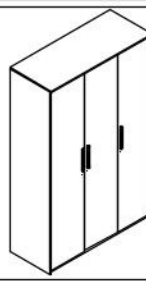










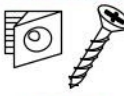




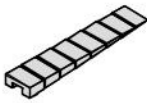




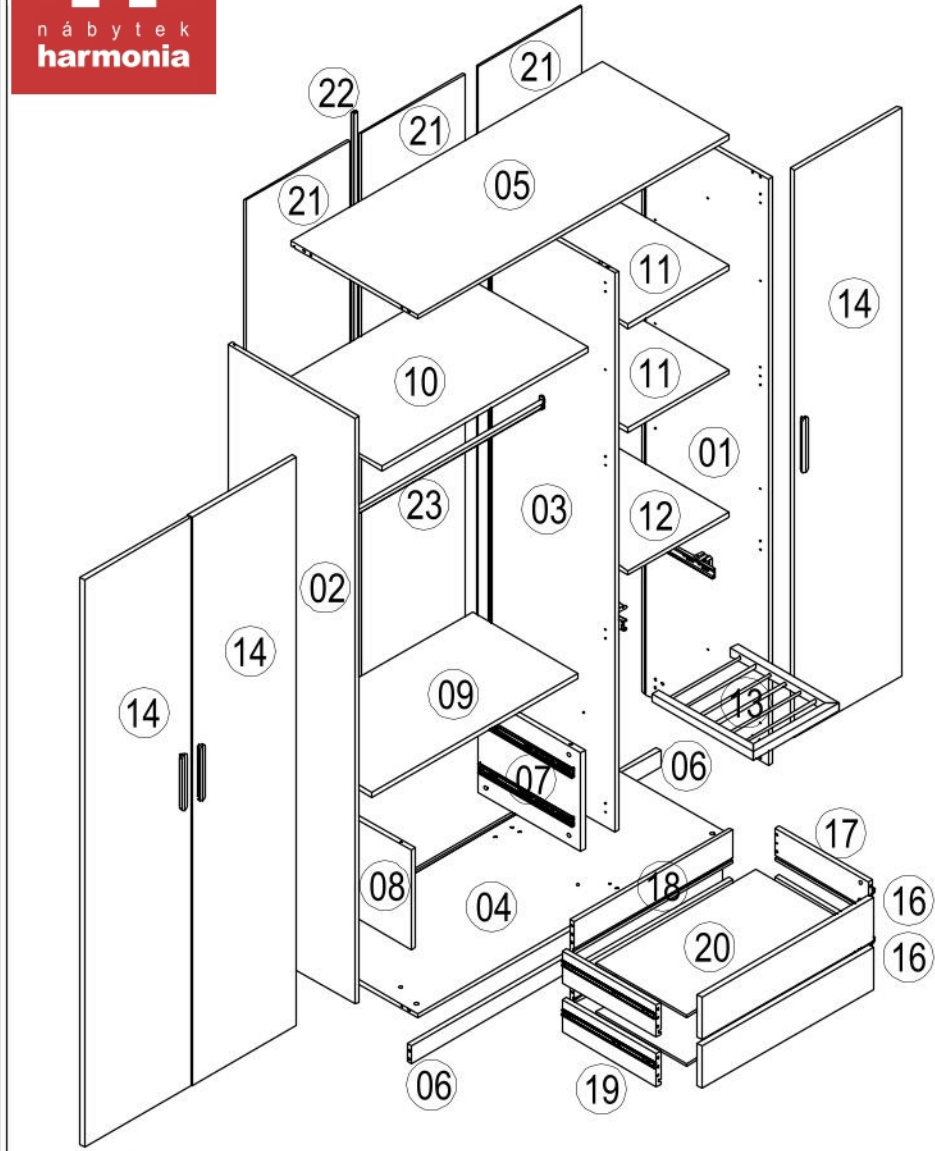


Şatnı skřĩň 3D ANDY



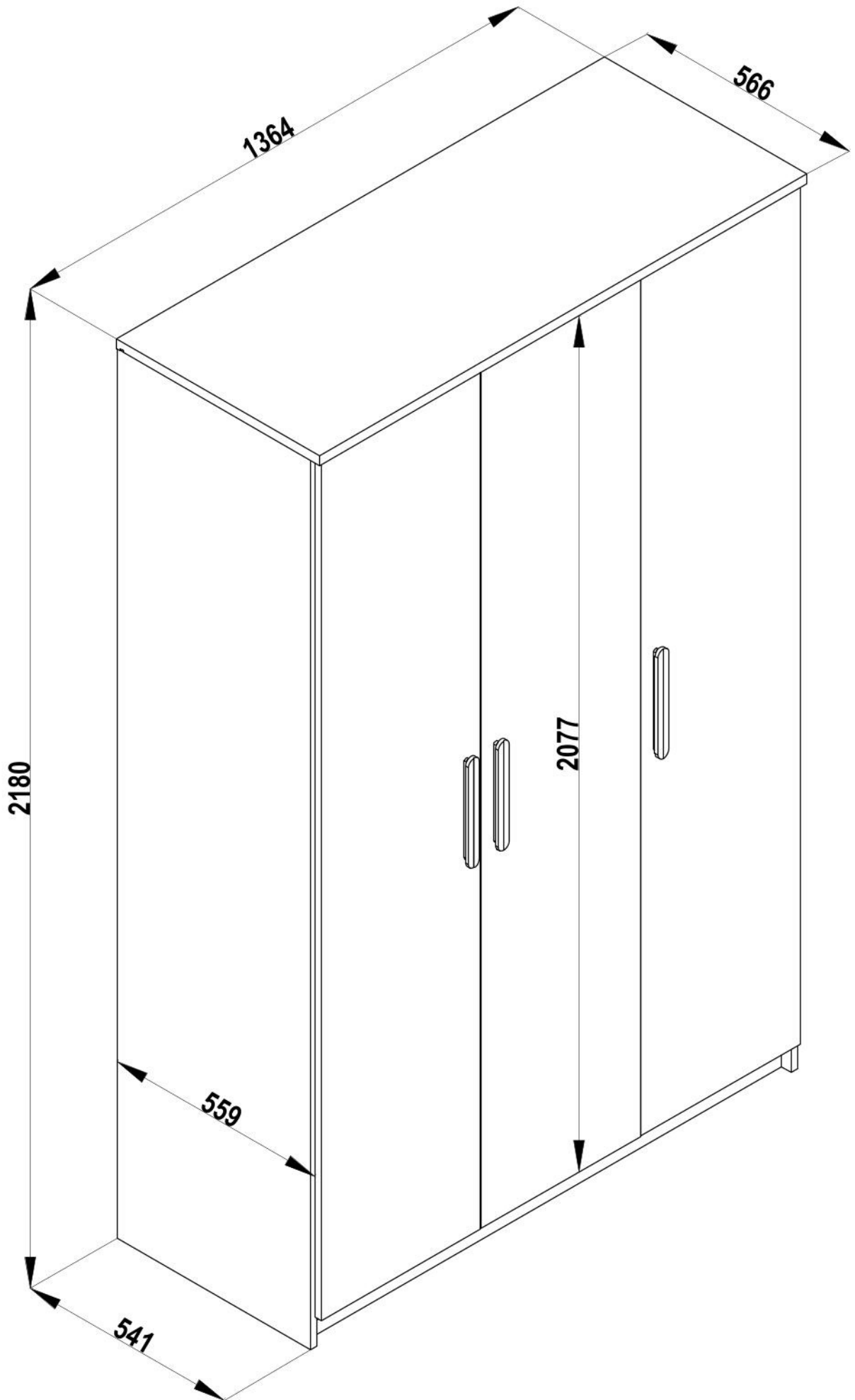
<p>ACCESSORIE NO : 317 10'LUK MİNİFİK MİL</p>  <p>12 ADET</p>	<p>ACCESSORIE NO : 002 TİTUS MİNİFİK GÖVDE</p>  <p>34 ADET</p>	<p>ACCESSORIE NO : 004 Ø8x30 KAVELA</p>  <p>36 ADET</p>	<p>ACCESSORIE NO : 005 RAFİK MİL (7.5)</p>  <p>4 ADET</p>	<p>ACCESSORIE NO : 200 RAF PİMİ EURO VİDALI</p>  <p>20 ADET</p>
<p>ACCESSORIE NO : 012 ASKI FLANŞI GRİ</p>  <p>2 ADET</p>	<p>ACCESSORIE NO : 148 CİFT AÇILIMLI 400mm RAY + KULAK</p>  <p>1 TAKIM</p>	<p>ACCESSORIE NO : 113 3.5*18 MM S. VİDASI</p>  <p>28 ADET</p>	<p>ACCESSORIE NO : 172 CİFT AÇILIMLI 350mm RAY</p>  <p>2 TAKIM</p>	<p>ACCESSORIE NO : 119 6.3*9 MM EURO VİDA</p>  <p>20 ADET</p>
<p>ACCESSORIE NO : 011 ARKALIK SABİTLEME 3.5x25 S.VİDASI</p>  <p>18 ADET</p>	<p>ACCESSORIE NO : 014 30 LUK MONTEBET</p>  <p>2 ADET</p>	<p>ACCESSORIE NO : 023 Y.D.B. MENTEŞE</p>  <p>6 ADET</p>	<p>ACCESSORIE NO : 184 FRENLI Y.D.B. MENTEŞE</p>  <p>6 ADET</p>	<p>ACCESSORIE NO : 092 4*18 MM S. VİDASI</p>  <p>48 ADET</p>
<p>ACCESSORIE NO : 603 GÖNYELEME TAKOZU</p>  <p>2 ADET</p>	<p>ACCESSORIE NO : 001 MİNİFİK MİL 6 MM</p>  <p>22 ADET</p>	<p>ACCESSORIE NO : 374 CAPPUCINO JOY KULP</p>  <p>3 ADET</p>	<p>ACCESSORIE NO : 533 3,9*28 MM PLS.VİDA</p>  <p>6 ADET</p>	<p>ACCESSORIE NO : 020 MİNİFİK TAPA BEYAZ</p>  <p>18 ADET</p>

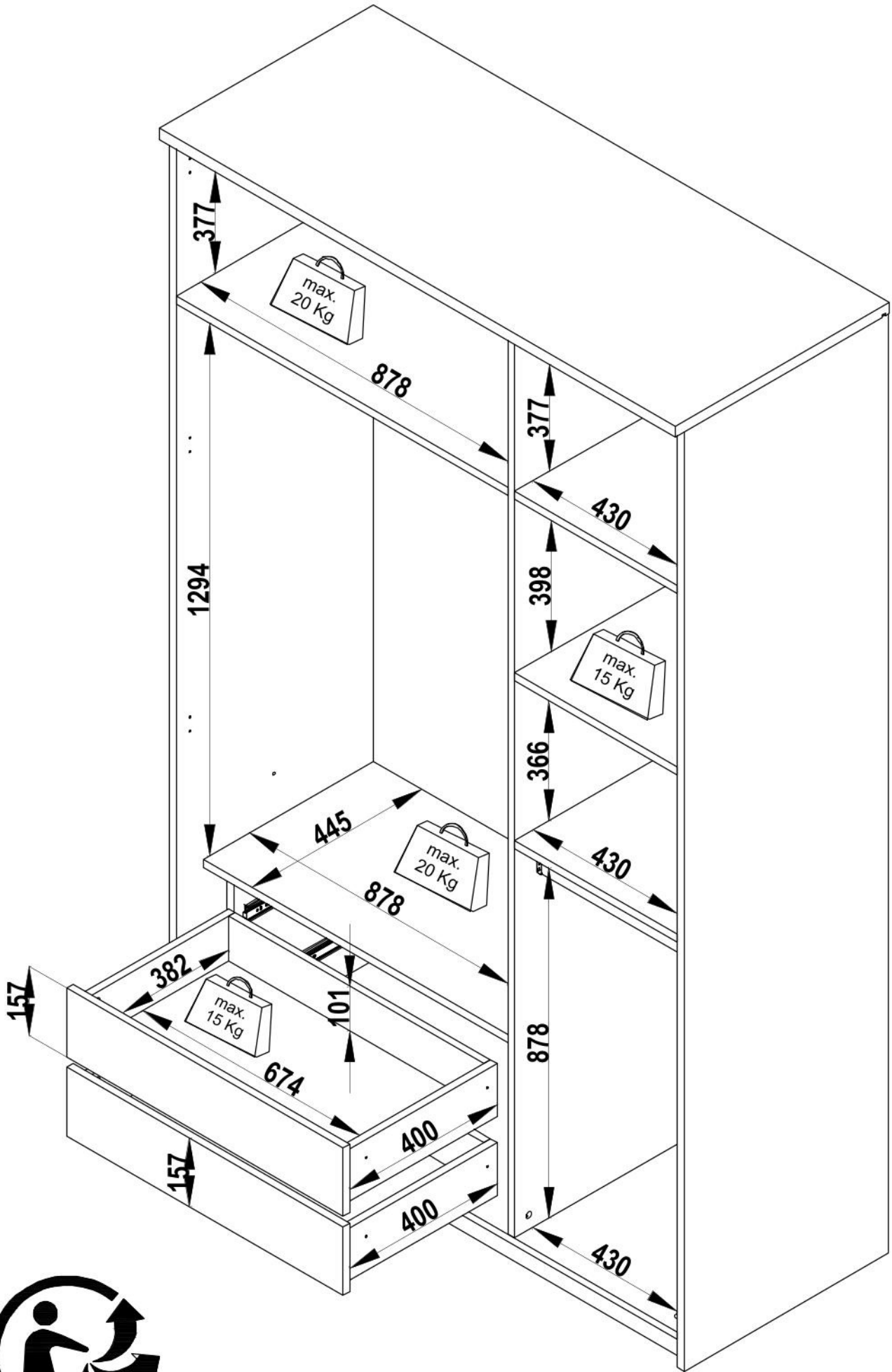


NO	ADET/PCS	ÖLÇÜ/DIMENSIONS	NO	ADET/PCS	ÖLÇÜ/DIMENSIONS	NO	ADET/PCS	ÖLÇÜ/DIMENSIONS
01	1	2155 X 541	11	2	522 X 430	22	1	2074 X 26
02	1	2155 X 541	12	1	522 X 430	23	1	870 X 30
03	1	2073 X 541	13	1	430 X 366			
04	1	1326 X 541	14	3	2077 X 445			
05	1	1364 X 566	16	2	770 X 157			
06	2	1326 X 64	17	2	400 X 120			
07	1	420 X 366	18	2	674 X 120			
08	1	420 X 366	19	2	400 X 120			
09	1	878 X 445	20	2	684 X 387			
10	1	878 X 522	21	3	2084 X 441			

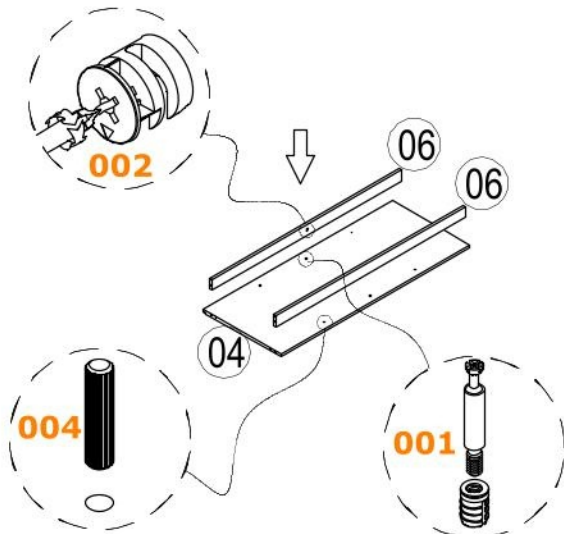
PLEASE ORDER THE ACCESSORIES ACCORDING TO THE REFERENCE NUMBER ON THE DRAWING(EXAMPLE ACCESSORIE NO-008 RAFİK MİL 1.PCS.)

PLEASE ORDER THE SPARE PARTS ACCORDING TO THE REFERENCE NUMBER ON THE DRAWING

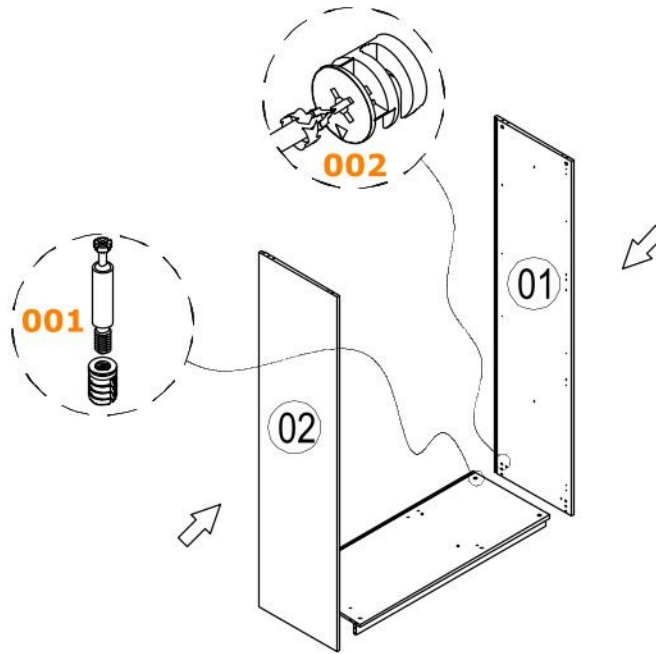




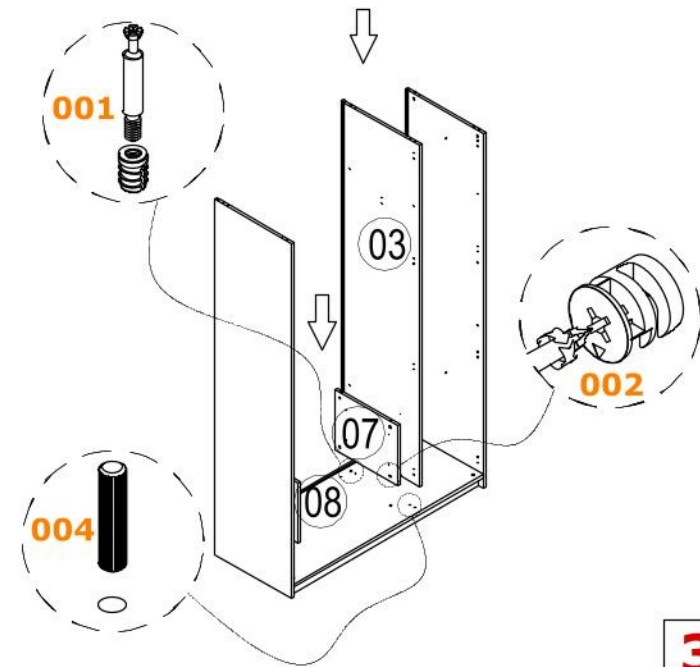
INSTALLATION STEPS



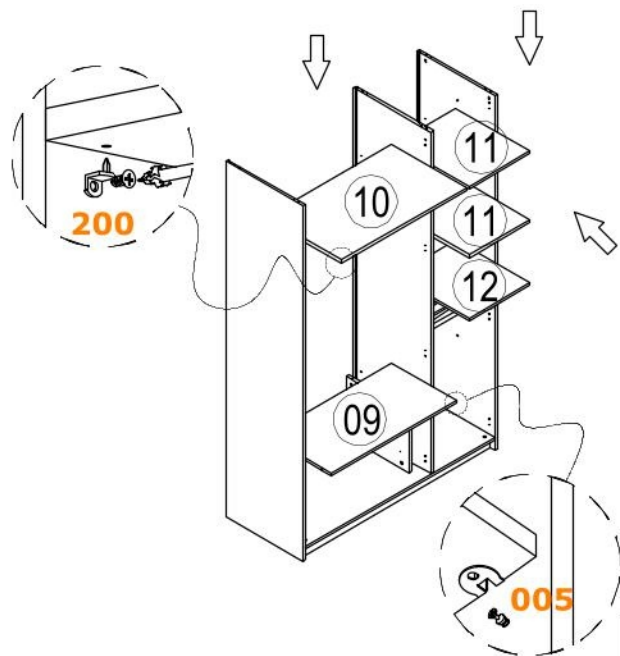
1



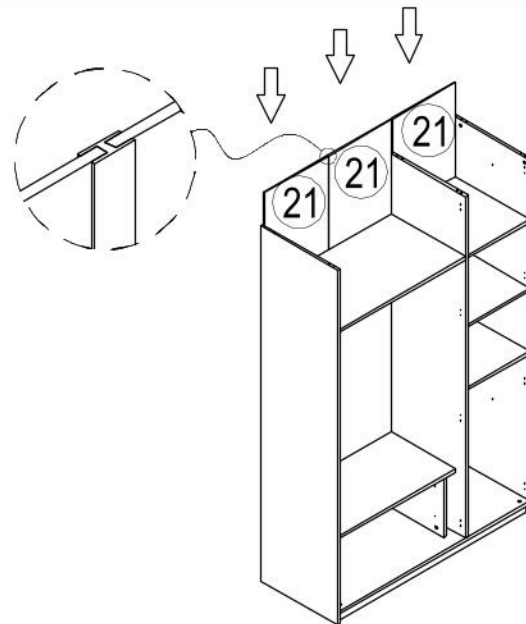
2



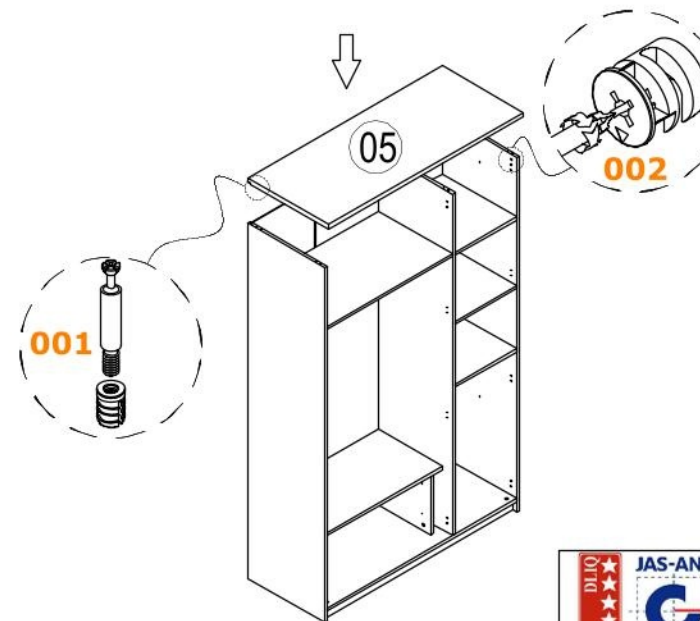
3



4



5



6

