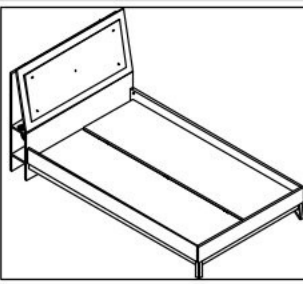
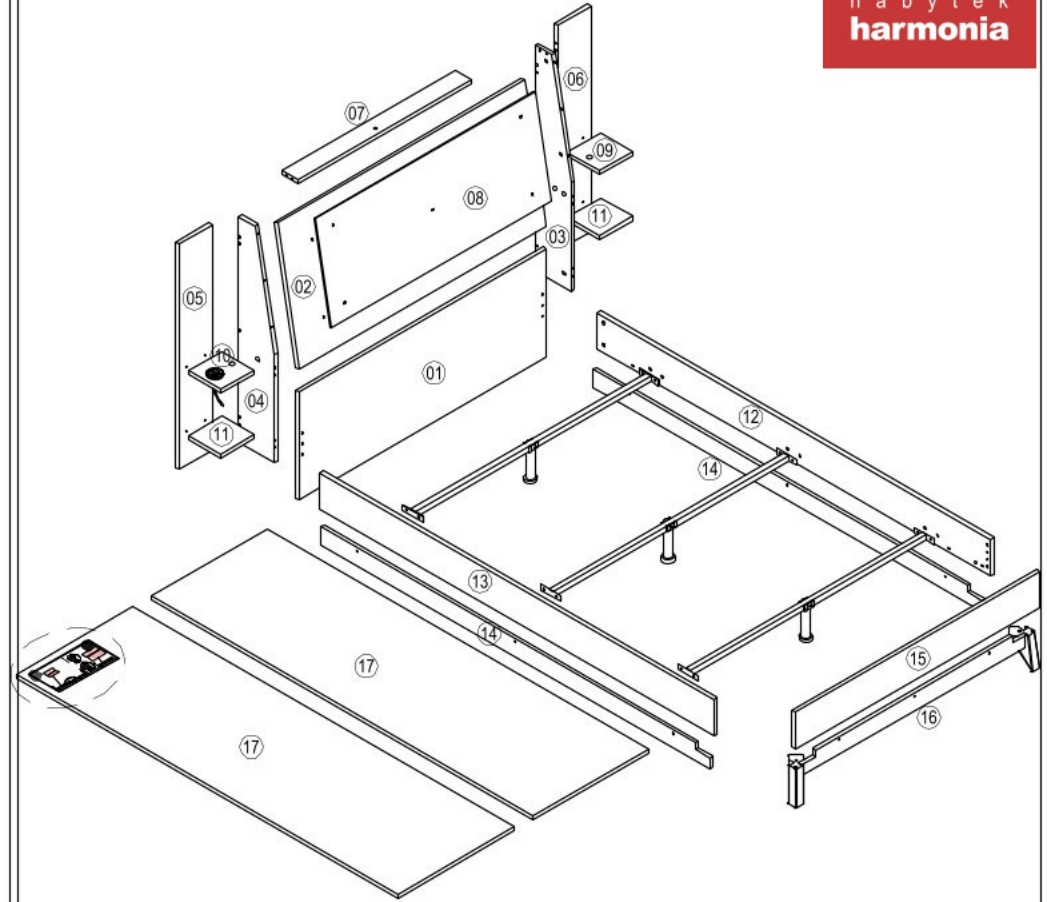


Studentská postel 120x200 THOR



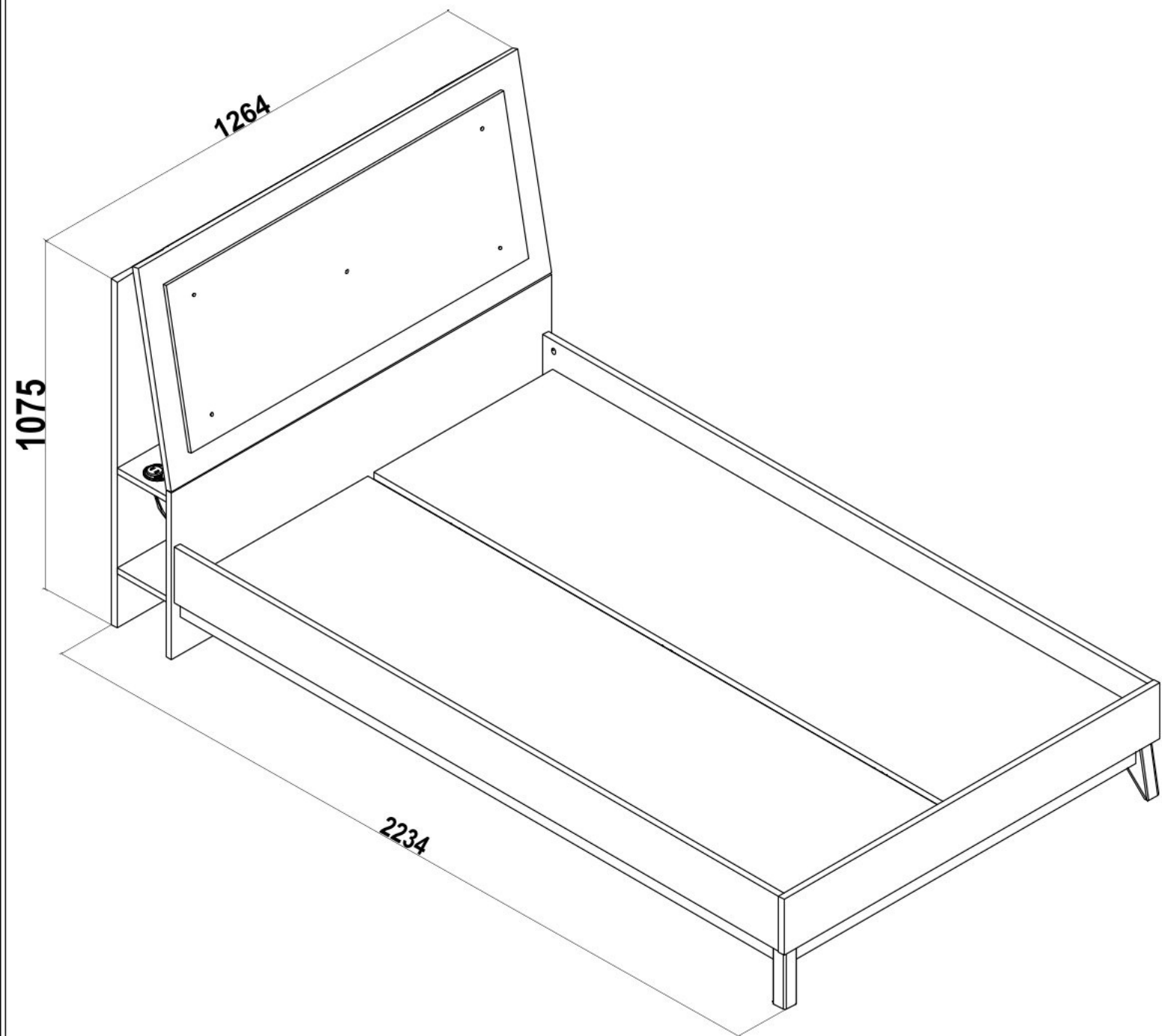
<p>ACCESSORIE NO : 317 10'LUK MİNİFİK MİL</p> <p>2 ADET</p>	<p>ACCESSORIE NO : 002 TİTUS MİNİFİK GÖVDE</p> <p>2 ADET</p>	<p>ACCESSORIE NO : 528 USB VE SPOT İŞİK TAKIMI</p> <p>1 TAKIM</p>	<p>ACCESSORIE NO : 125 M6*60 ALYAN VİDA</p> <p>10 ADET</p>	<p>ACCESSORIE NO : 510 Ø15 METAL SİLİNDİRİK SOMUN</p> <p>10 ADET</p>
<p>ACCESSORIE NO : 004 Ø8x30 KAVELA</p> <p>8 ADET</p>	<p>ACCESSORIE NO : 147 AYAKUCU KÖŞE DEMİRİ</p> <p>2 ADET</p>	<p>ACCESSORIE NO : 114 M6*15 YSB VİDA</p> <p>20 ADET</p>	<p>ACCESSORIE NO : 421 MANNESMAN 1210</p> <p>3 ADET</p>	<p>ACCESSORIE NO : 420 PLS.KARYOLA AYAK SİYAH</p> <p>3 ADET</p>
<p>ACCESSORIE NO : 105 M6*30 YSB VİDA</p> <p>16 ADET</p>	<p>ACCESSORIE NO : 008 5mm RAF PİMİ(BEYAZ)</p> <p>2 ADET</p>	<p>ACCESSORIE NO : 131 4mm ALYAN ANAHTAR</p> <p>1 ADET</p>	<p>ACCESSORIE NO : 144 M6 SOMUN</p> <p>5 ADET</p>	<p>ACCESSORIE NO : 109 M6*45 VİDA</p> <p>3 ADET</p>
<p>ACCESSORIE NO : 356 5x16 PUL</p> <p>2 ADET</p>	<p>ACCESSORIE NO : 406 PLS. RAF PİMİ EURO VİDALI SİYAH</p> <p>16 ADET</p>	<p>ACCESSORIE NO : 120 6,3*13 MM EURO VİDA</p> <p>16 ADET</p>	<p>ACCESSORIE NO : 521 BAMBU AYAK ANTRASİT</p> <p>2 ADET</p>	<p>ACCESSORIE NO : 582 ØFIX VİDASI M Ø6x9 mm</p> <p>8 ADET</p>

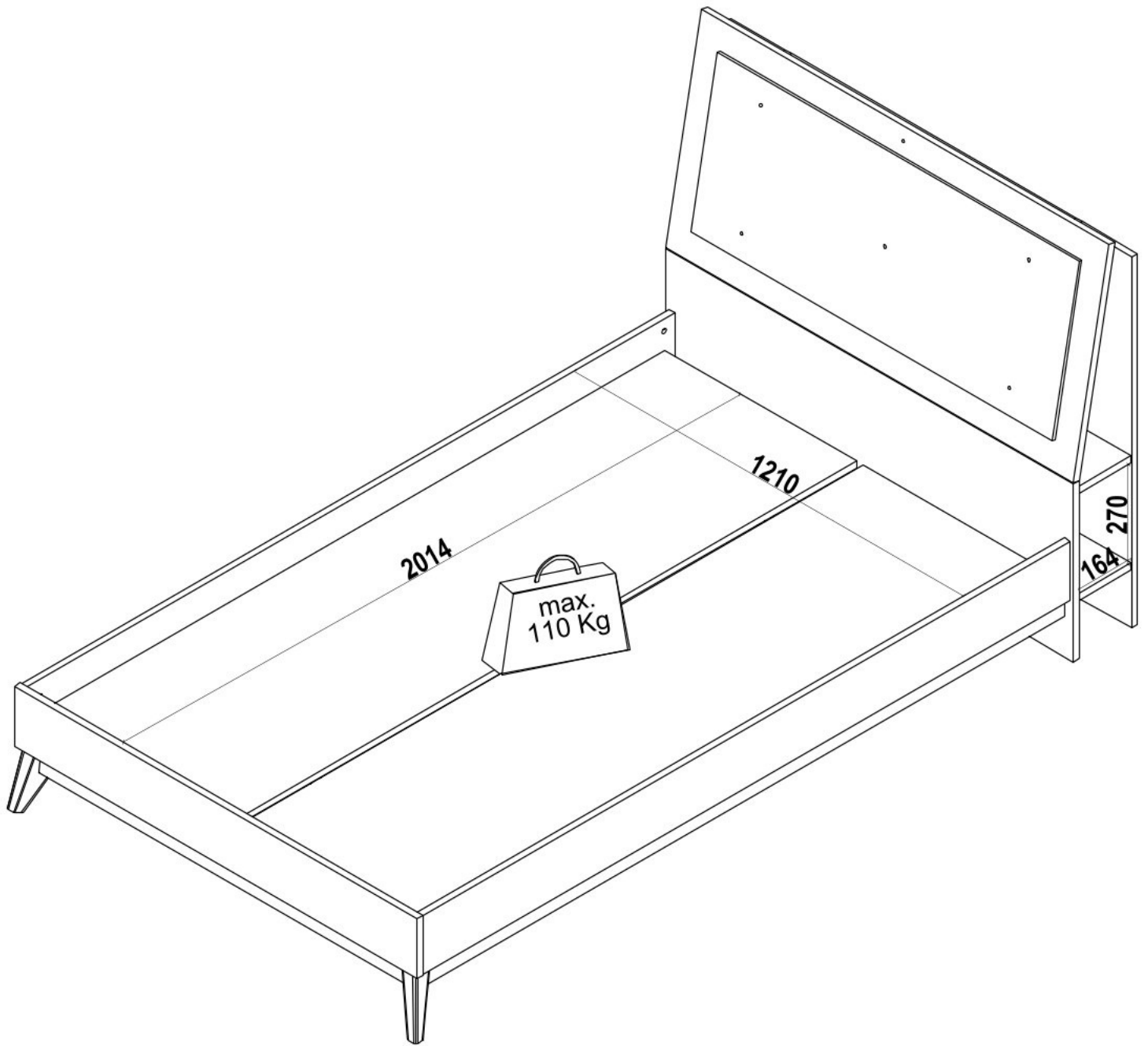


NO	ADET/PCS	ÖLÇÜ/DIMENSIONS	NO	ADET/PCS	ÖLÇÜ/DIMENSIONS	NO	ADET/PCS	ÖLÇÜ/DIMENSIONS
01	1	1266 X 480	11	2	170 X 164			
02	1	1266 X 595	12	1	2014 X 160			
03	1	1000 X 182	13	1	2014 X 160			
04	1	1000 X 182	14	2	1984 X 80			
05	1	999 X 171	15	1	1250 X 162			
06	1	999 X 171	16	1	1151 X 80			
07	1	886 X 84	17	2	1950 X 595			
08	1	1124 X 450						
09	1	170 X 164						
10	1	170 X 164						

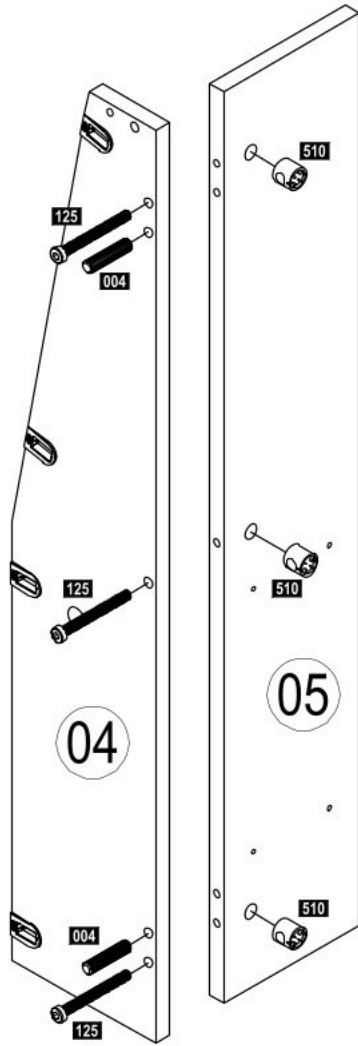
PLEASE ORDER THE ACCESSORIES ACCORDING TO THE REFERENCE NUMBER ON THE DRAWING(EXAMPLE ACCESSORIE NO-008 RAFIX MİL 1.PCS.)

PLEASE ORDER THE SPARE PARTS ACCORDING TO THE REFERENCE NUMBER ON THE DRAWING





1



004



2x

125



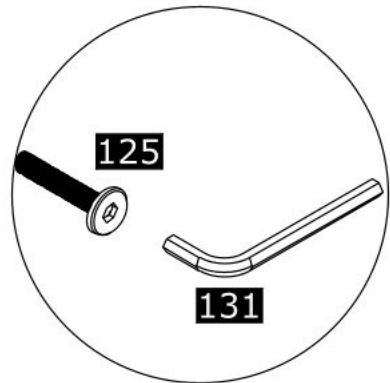
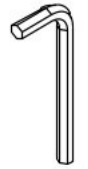
3x

510

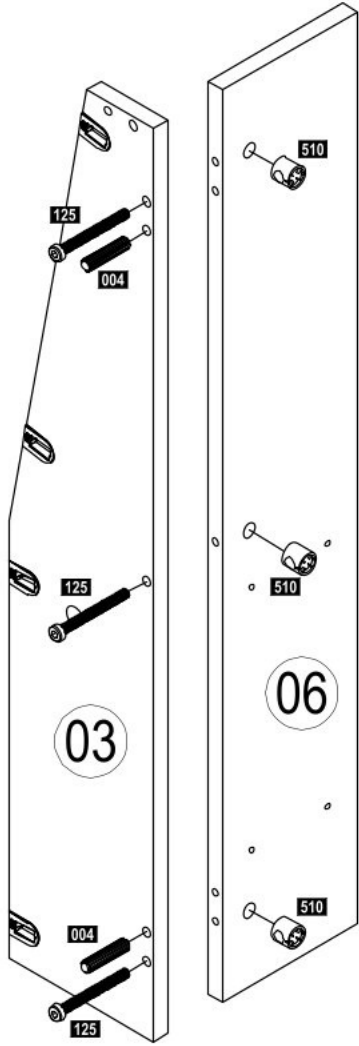


3x

131



2



004



2x

125



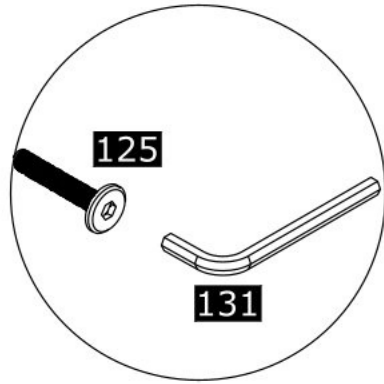
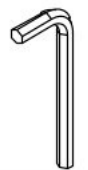
3x

510






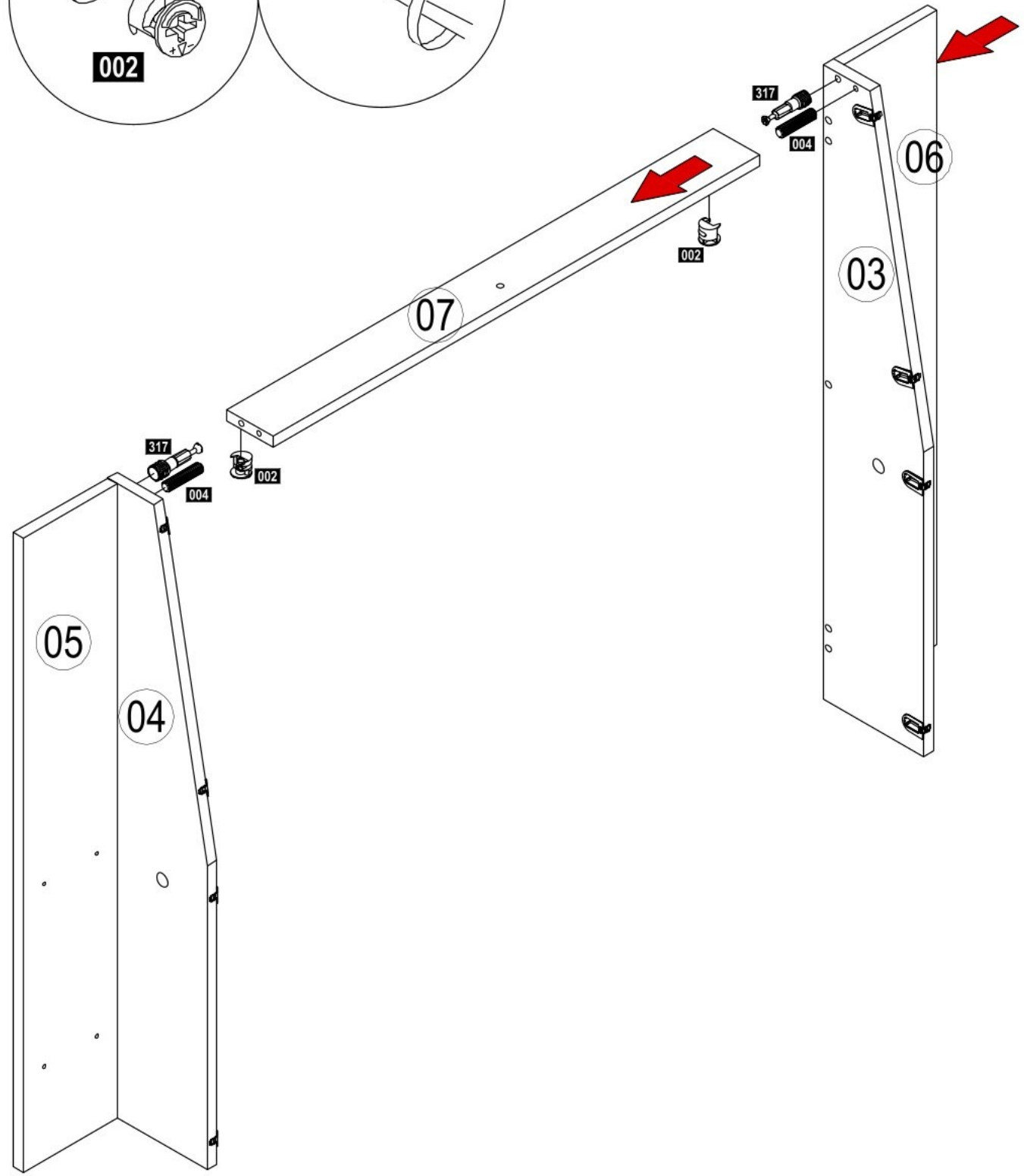
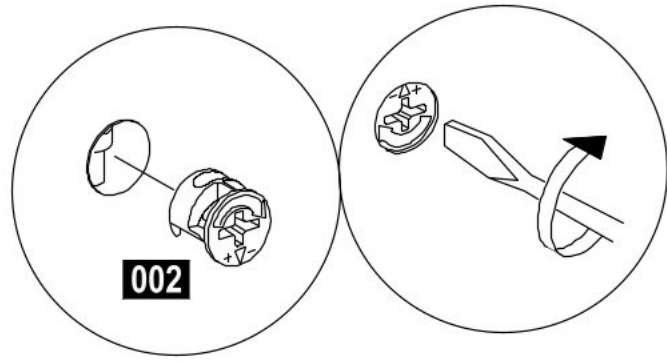
3x

131



3

004  2x	002  2x
317  2x	

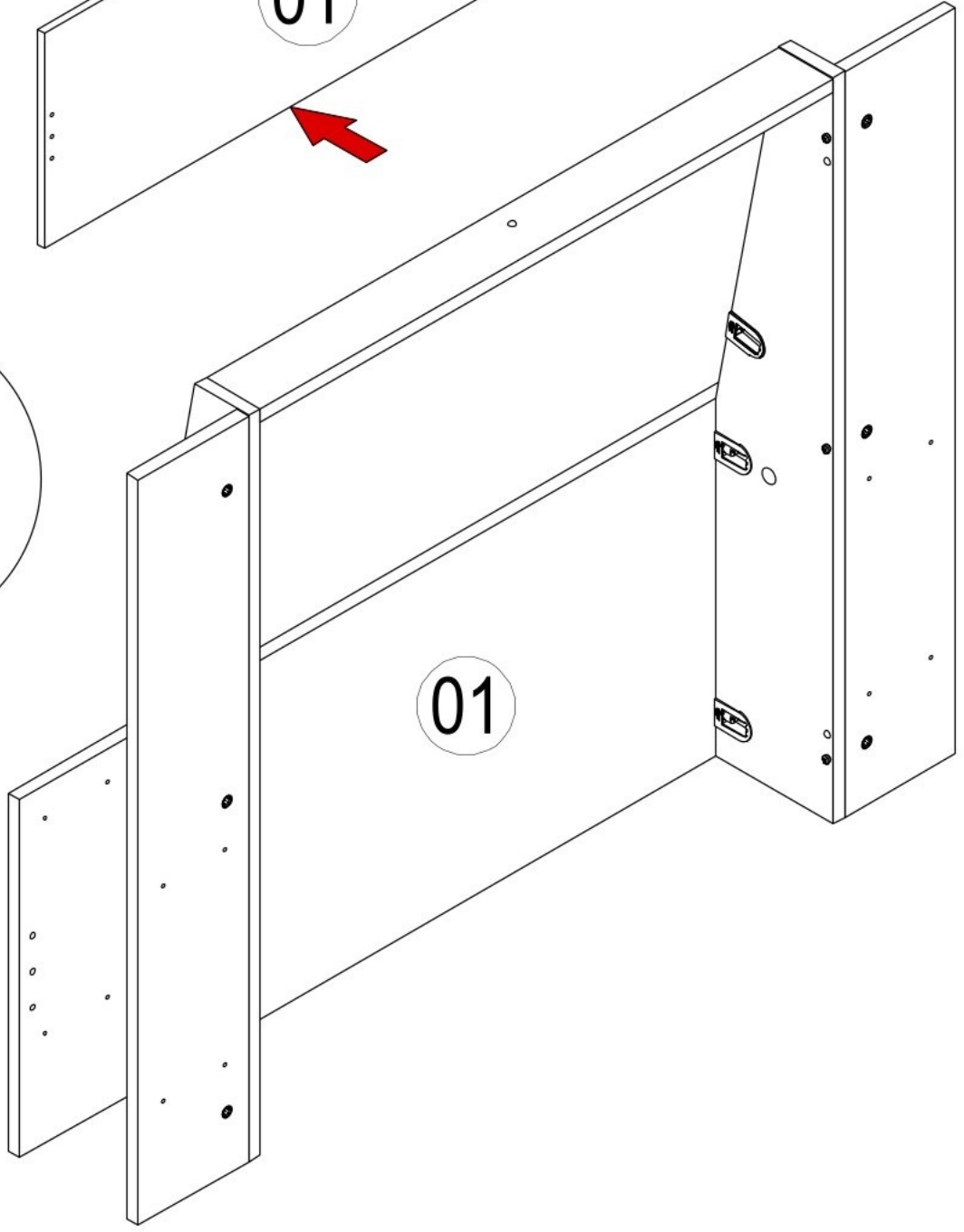
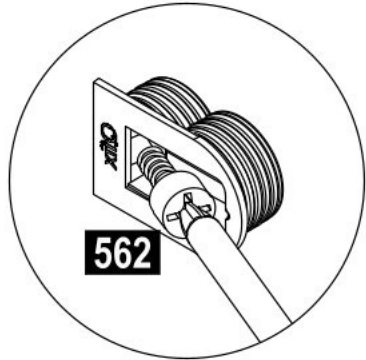
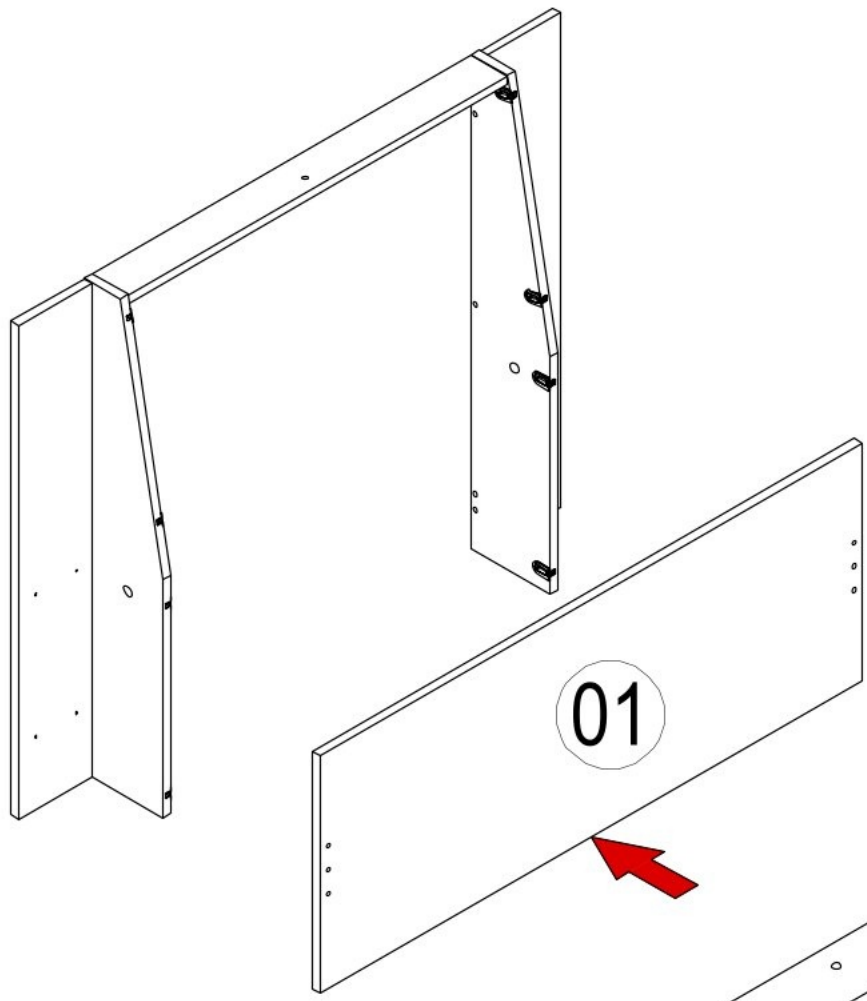


4

562



4x



5

406

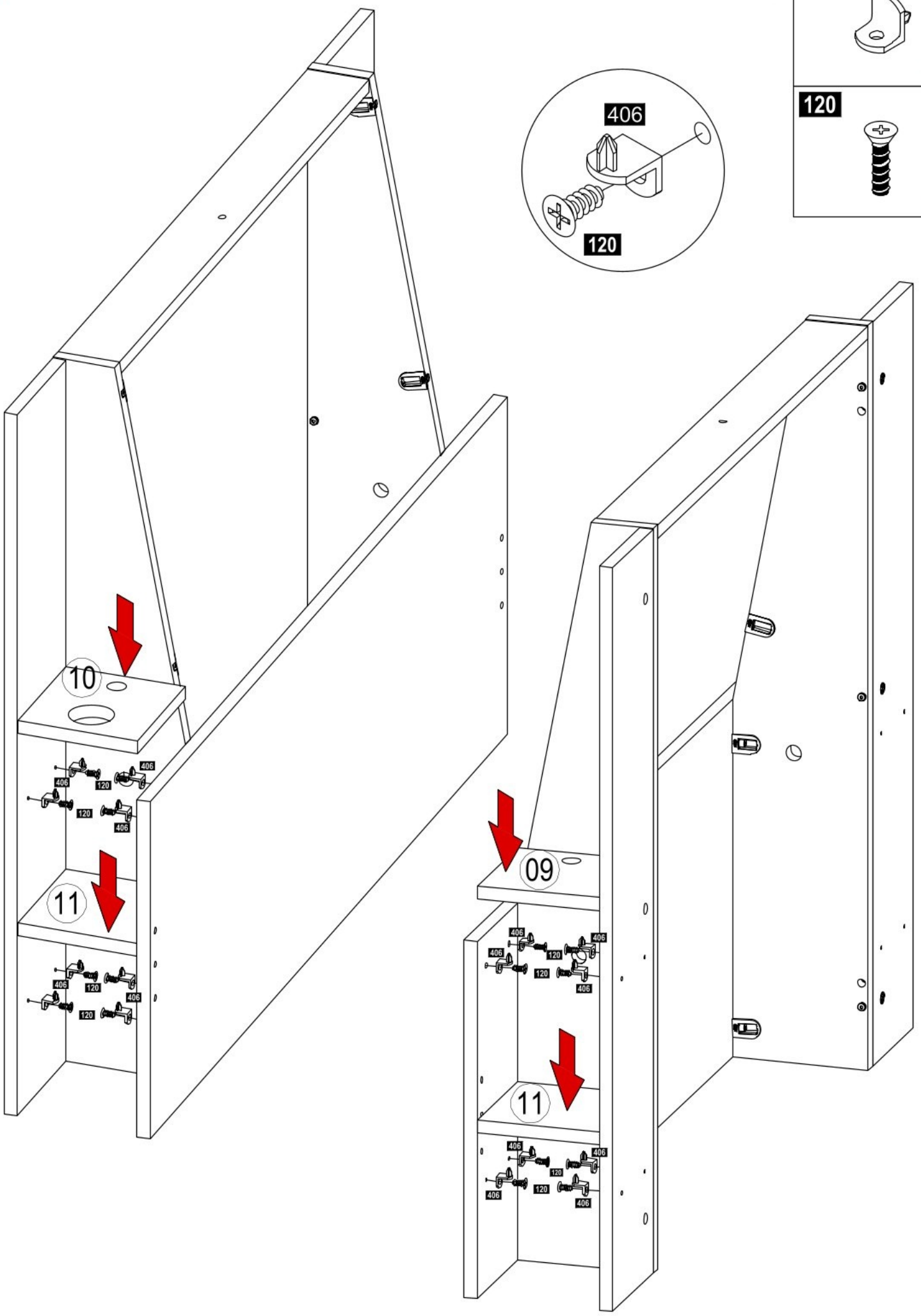
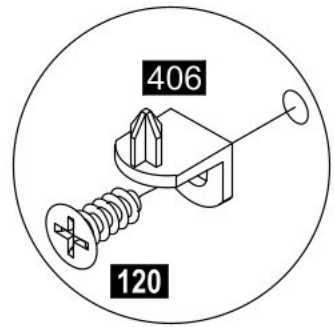


16x

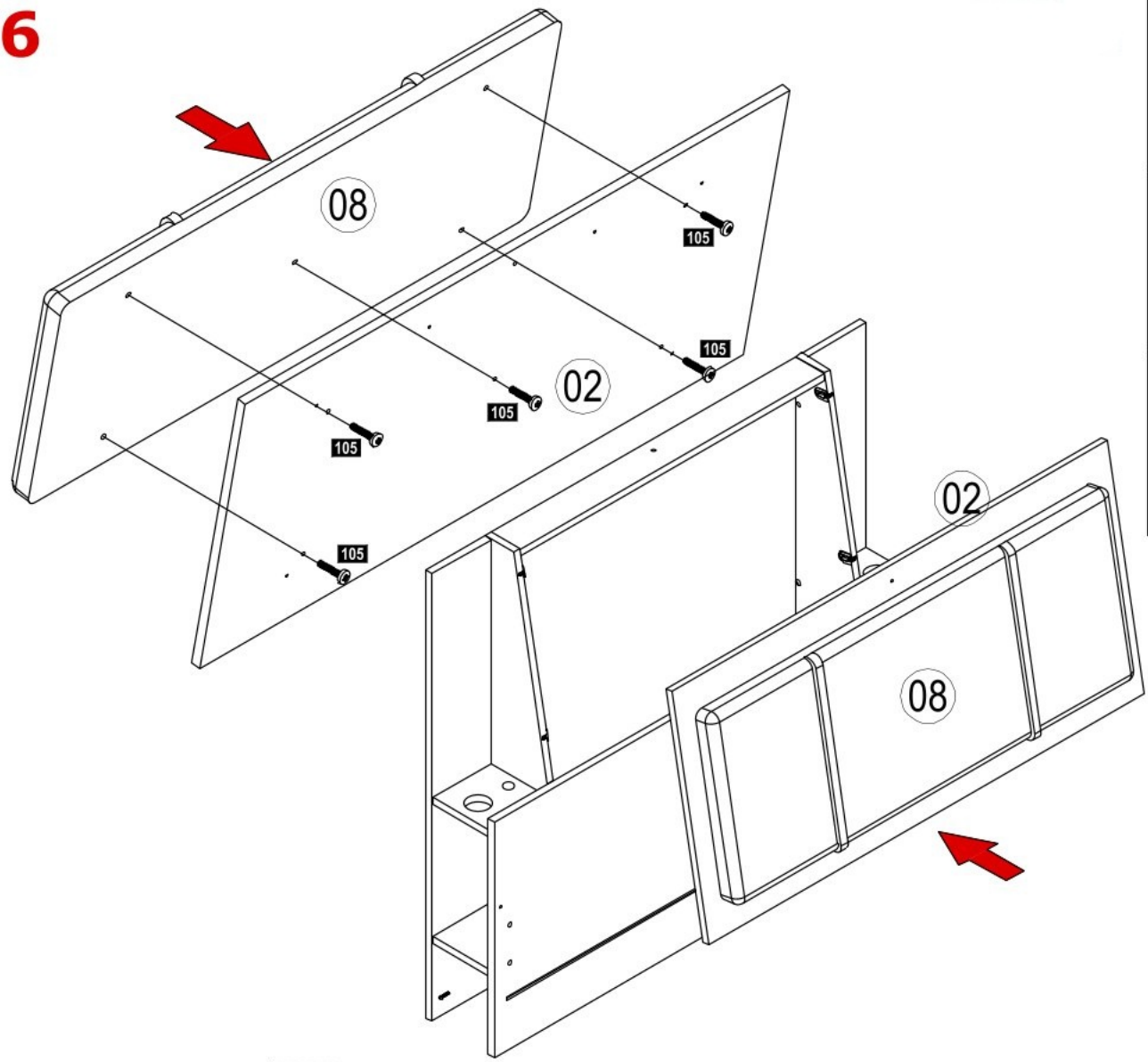
120



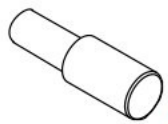


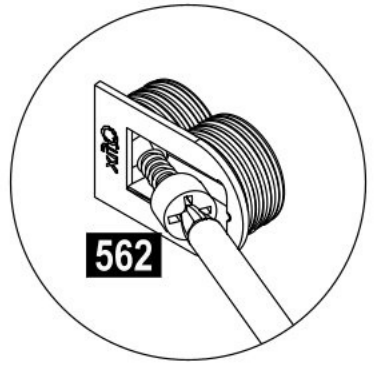
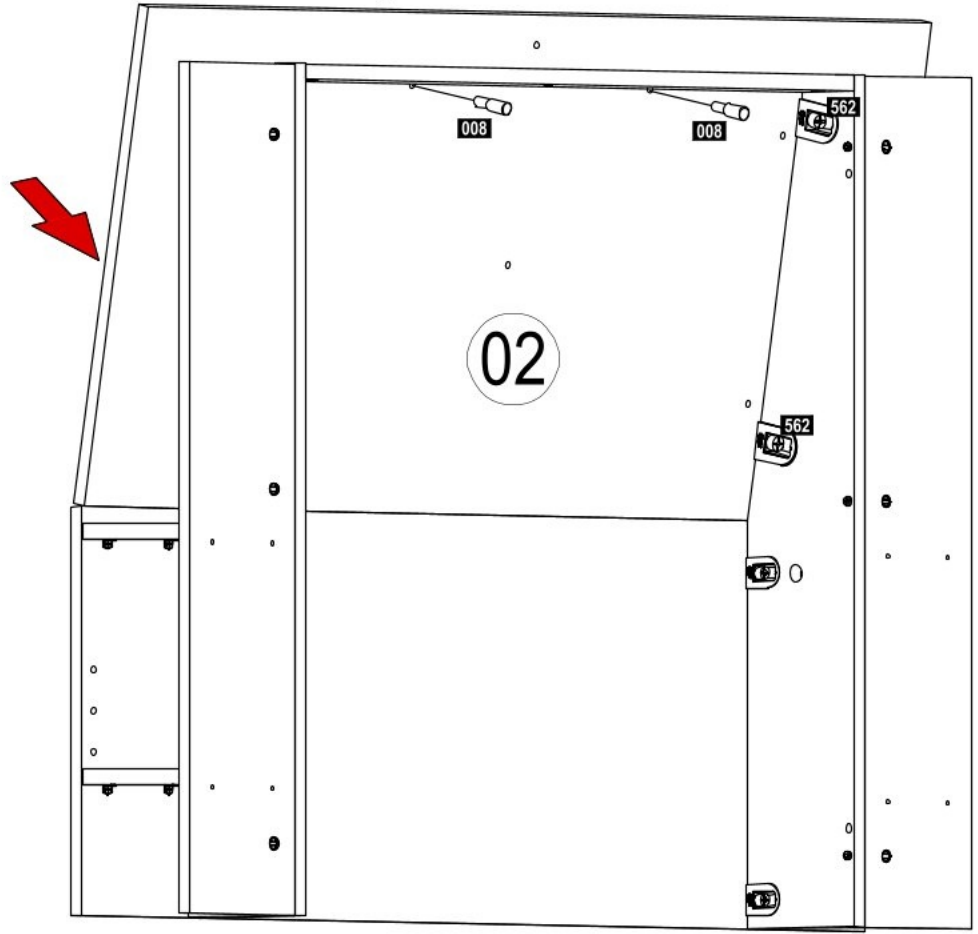
16x



6



- 562**

4x
- 105**

5x
- 008**

2x

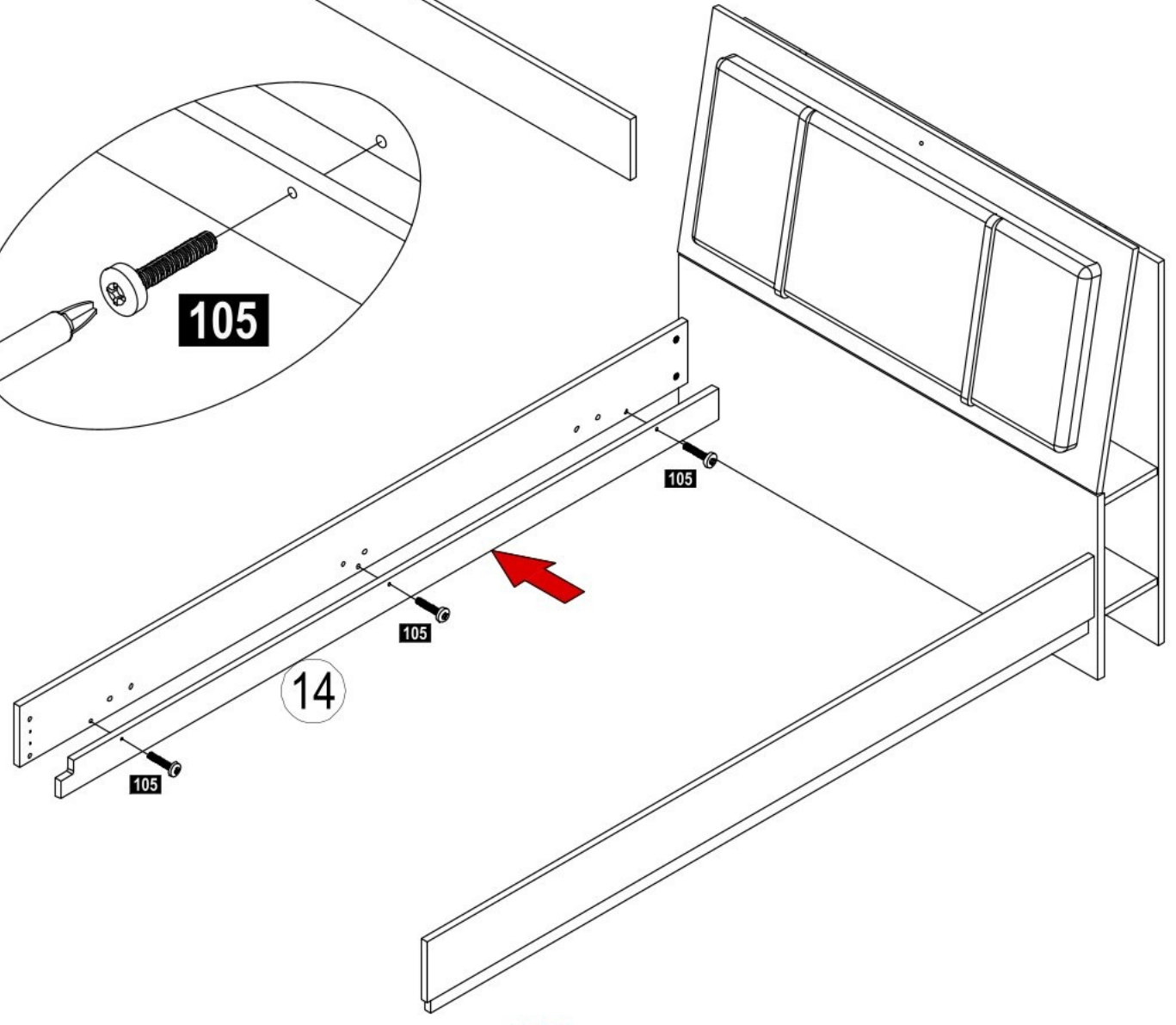
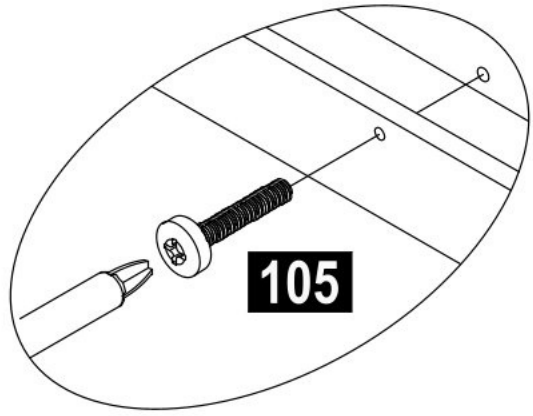
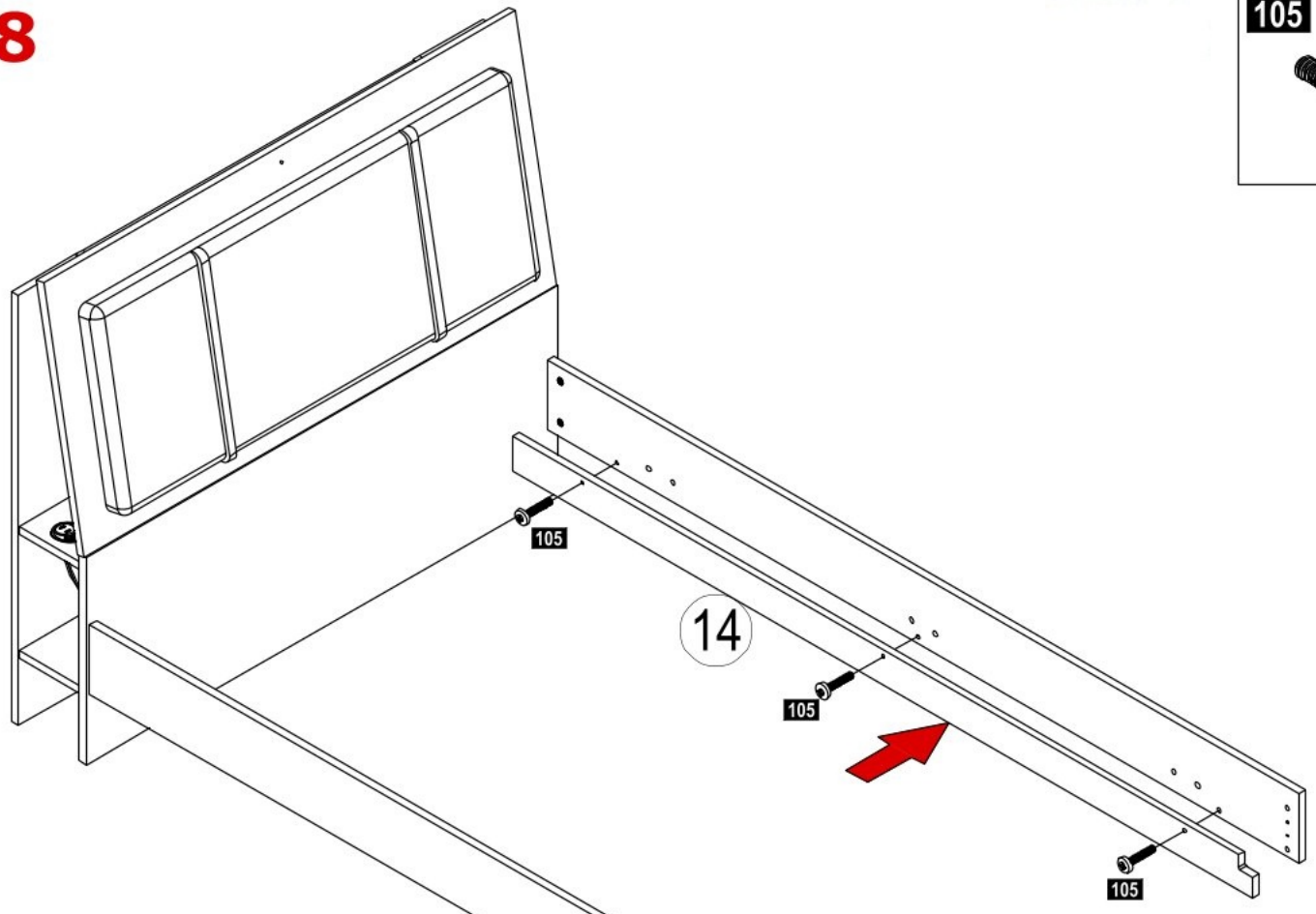





8

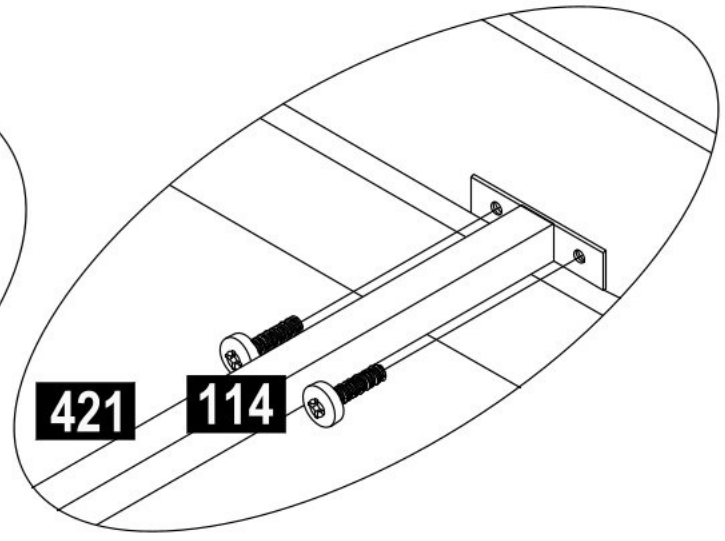
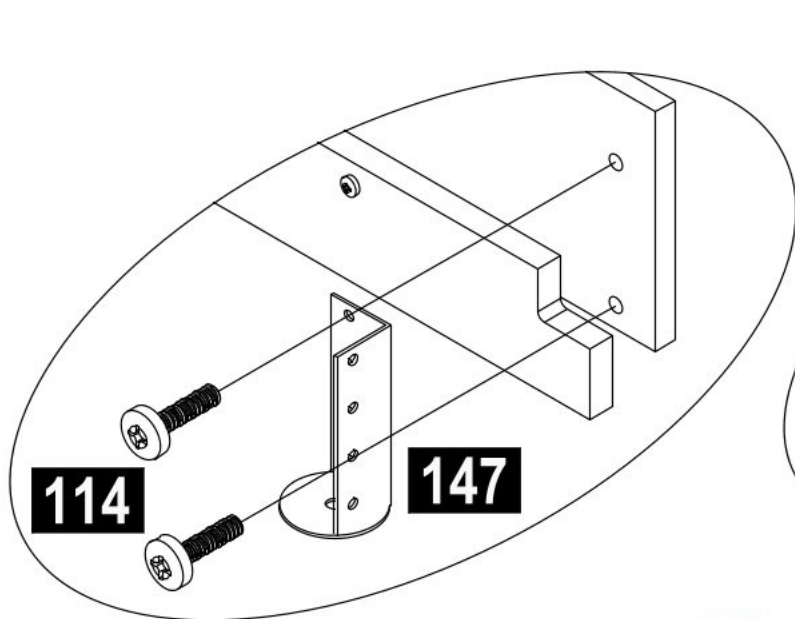
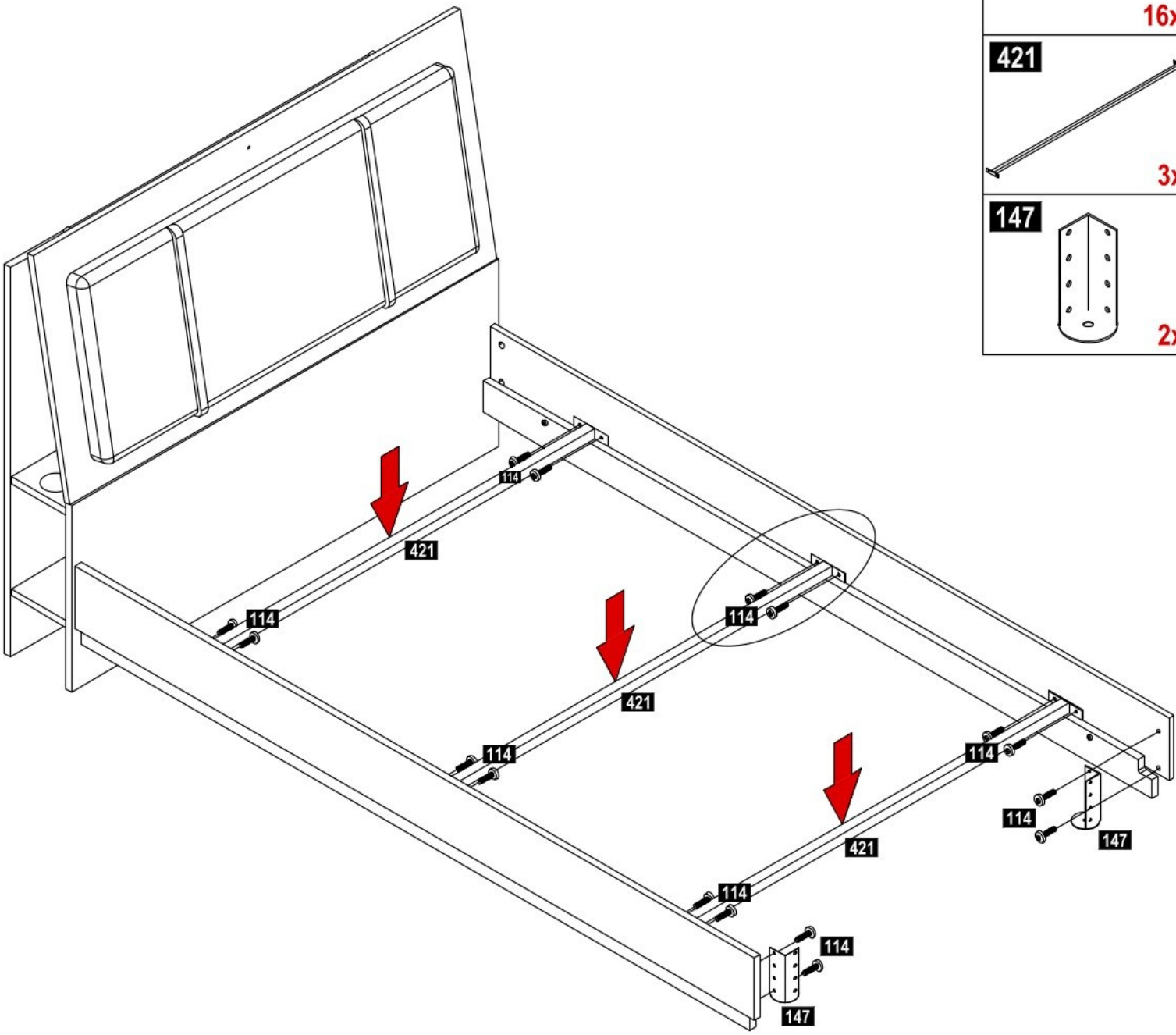
105



6x



114		16x
421		3x
147		2x

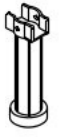


144



3x

420

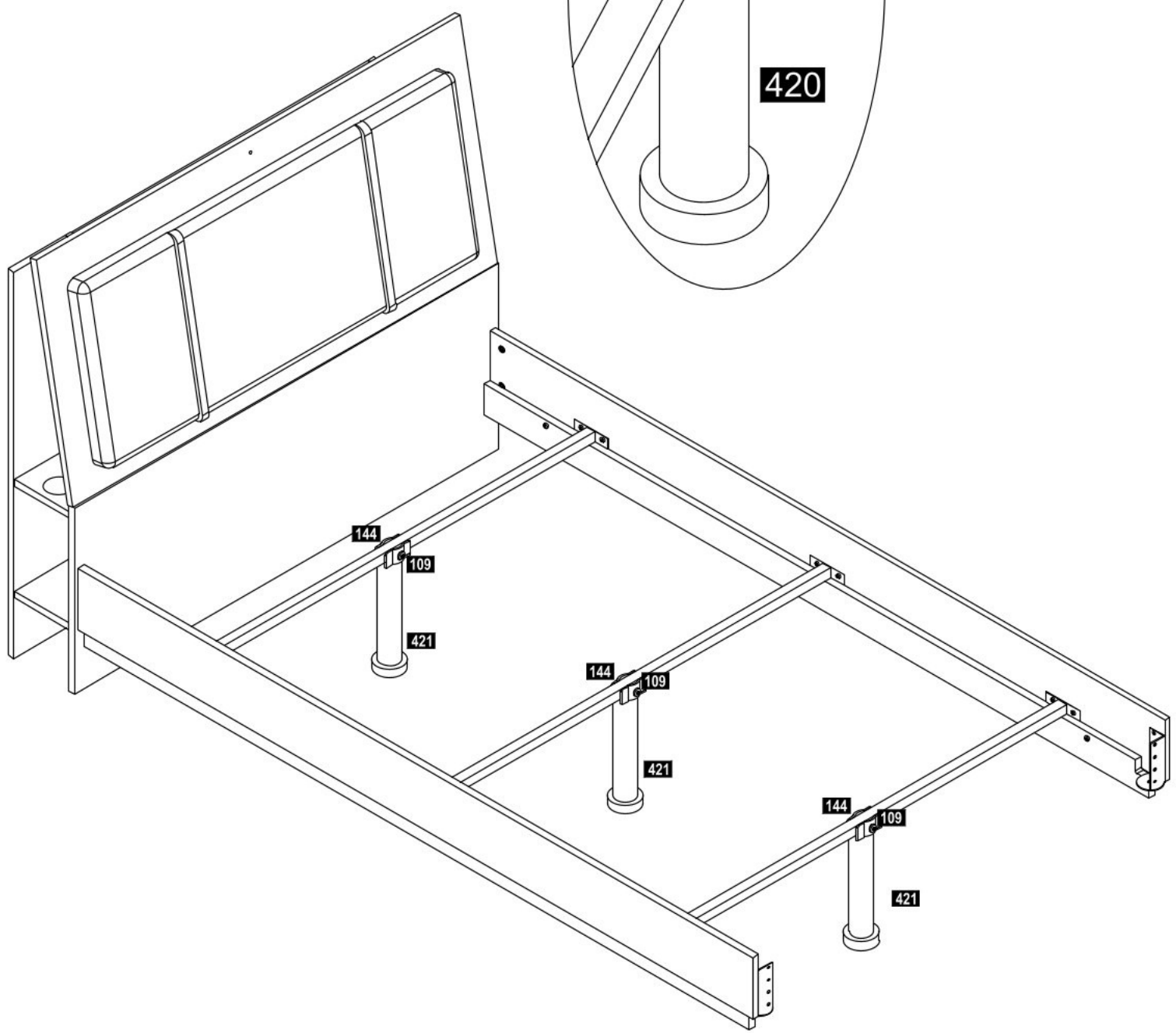
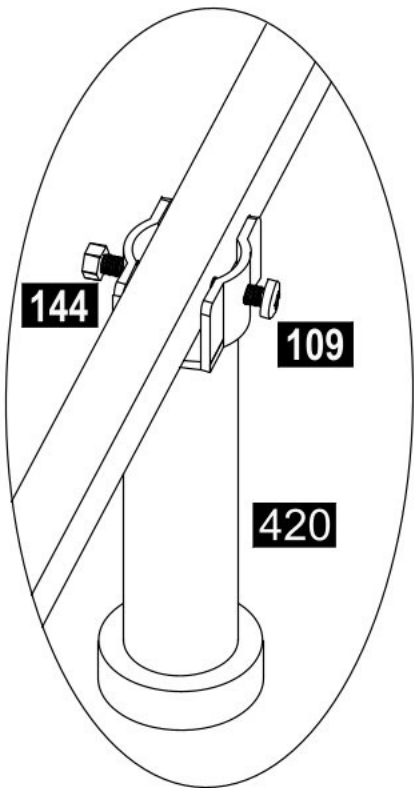


3x

109



3x



356



2x

521



2x

105

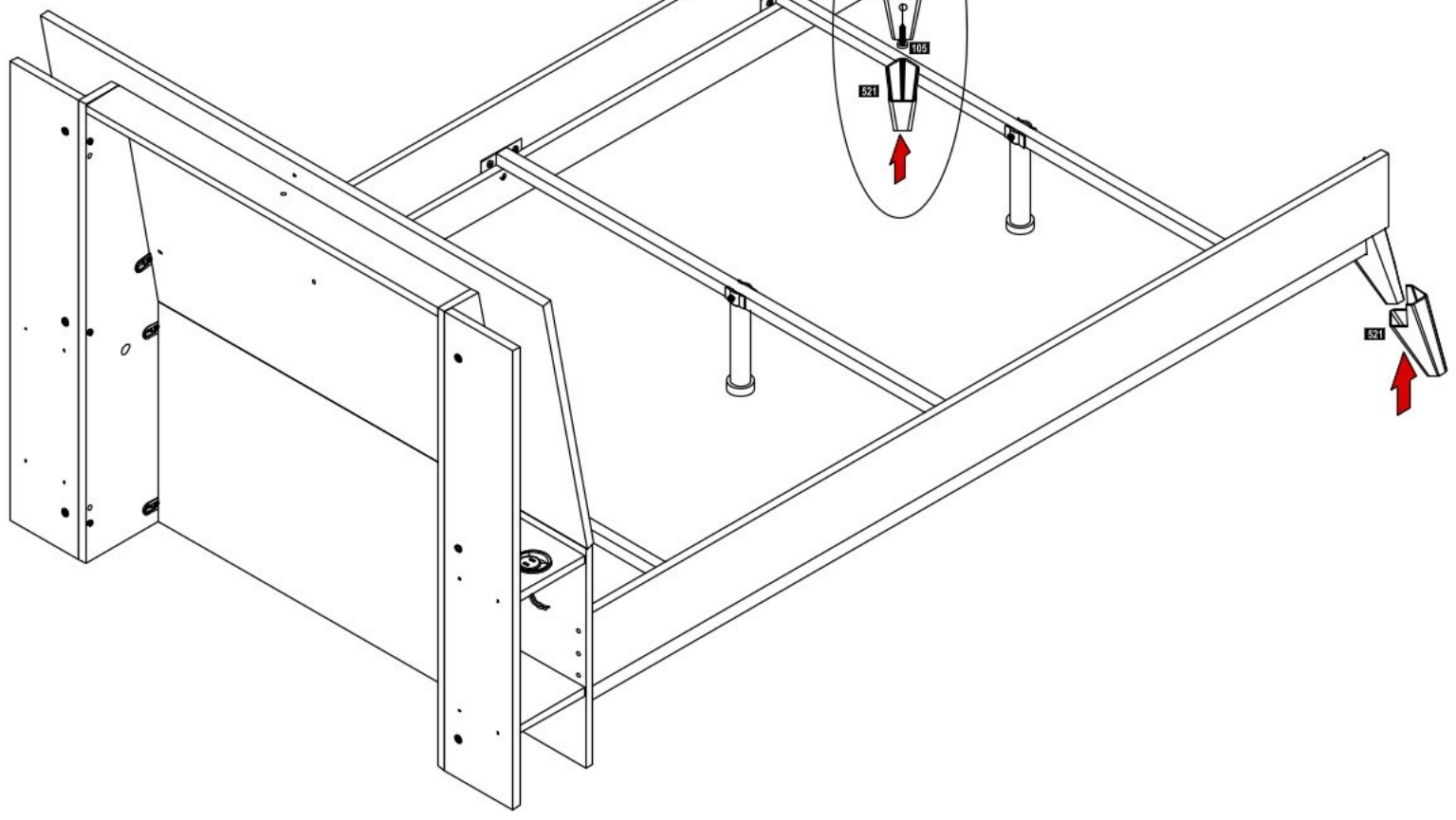
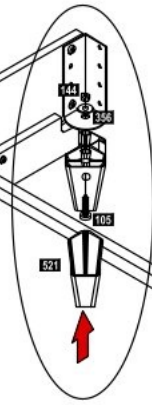
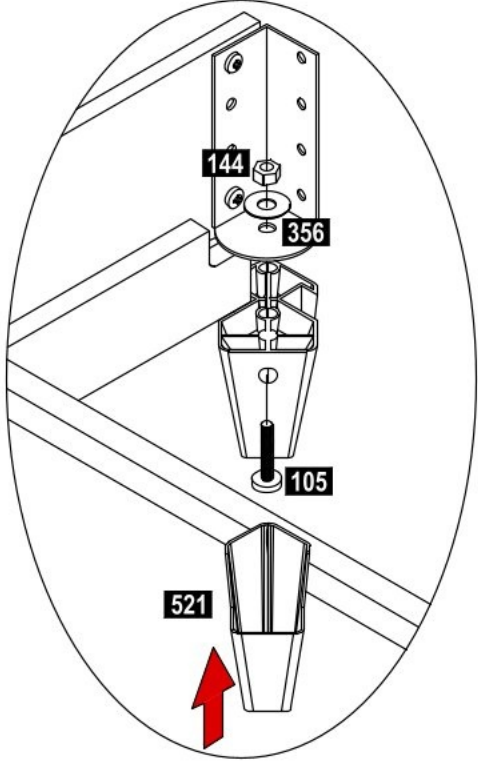


2x

144



2x



105

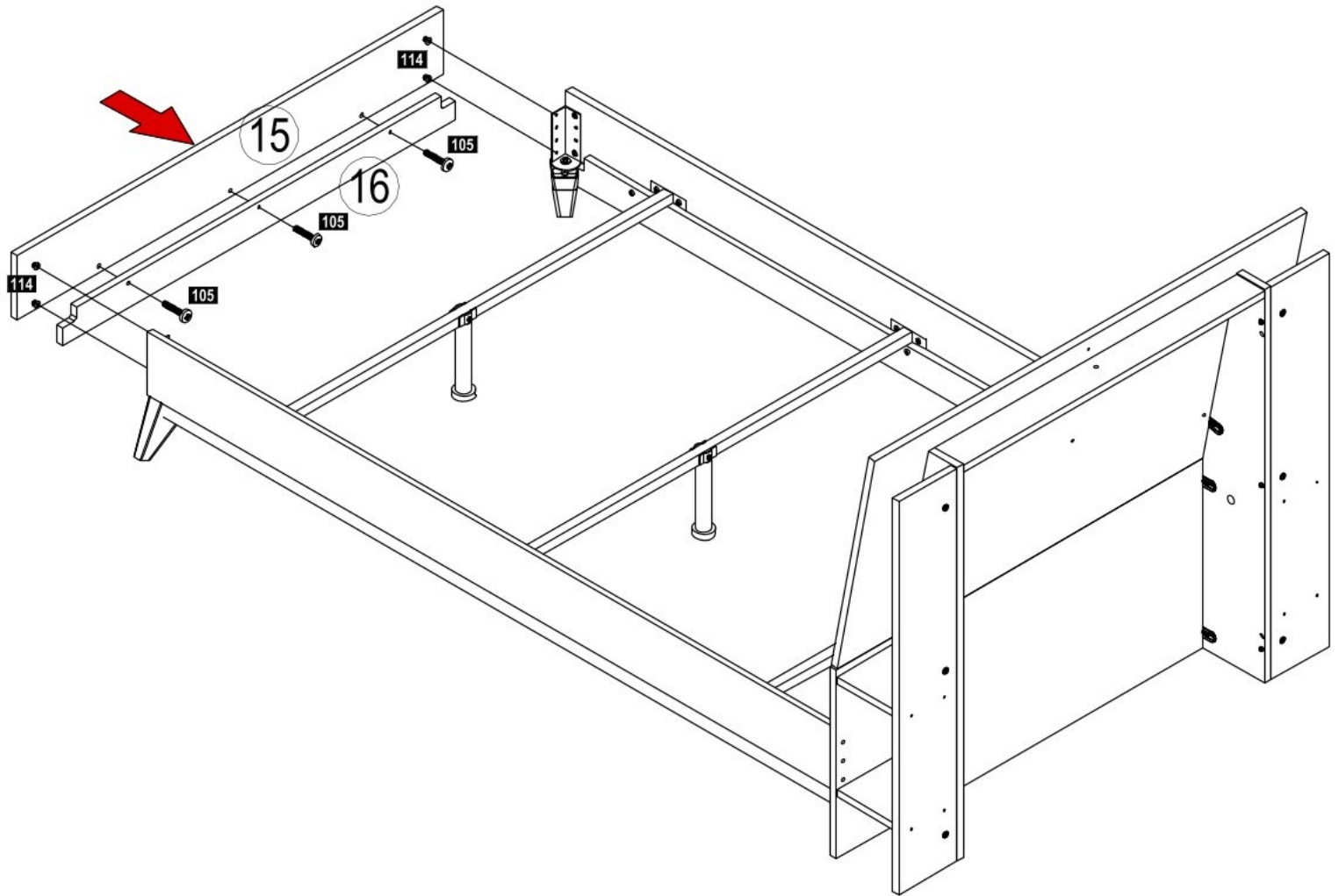
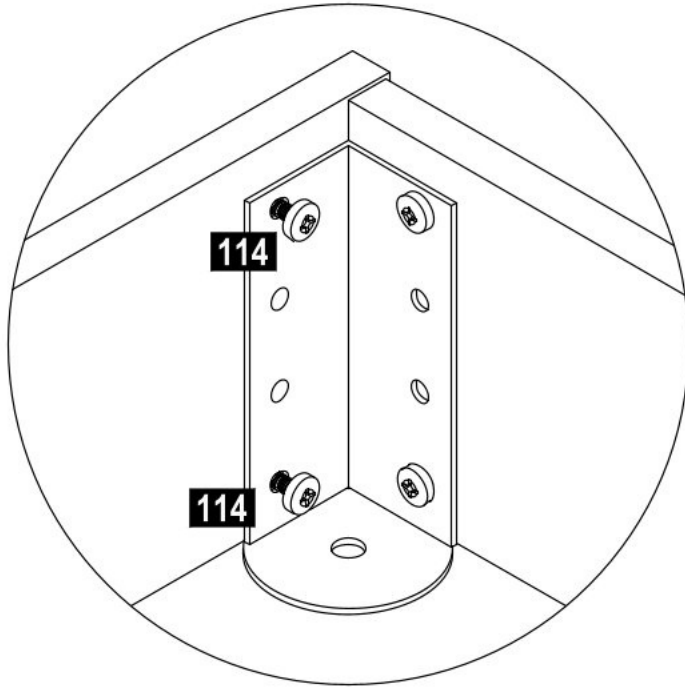


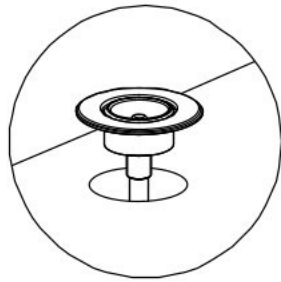
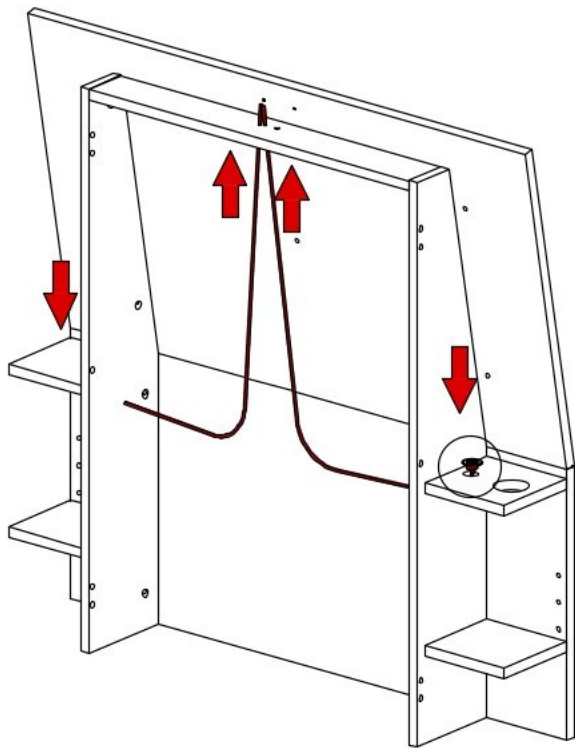
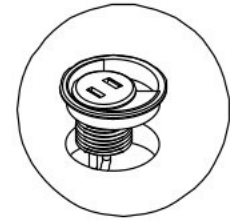
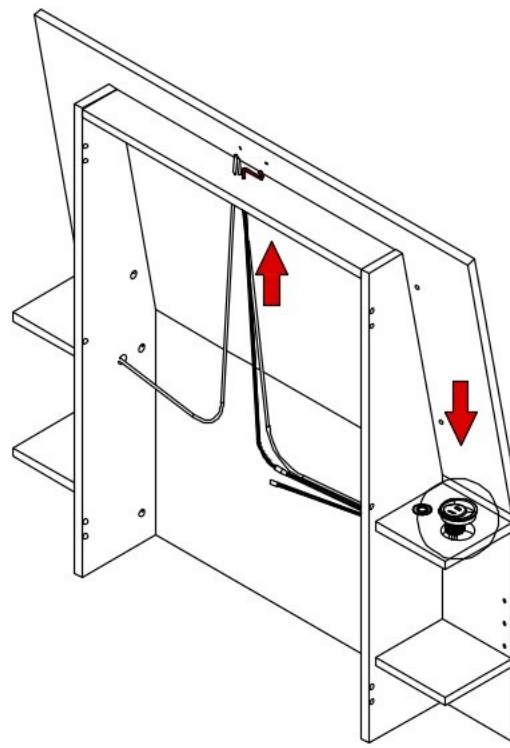
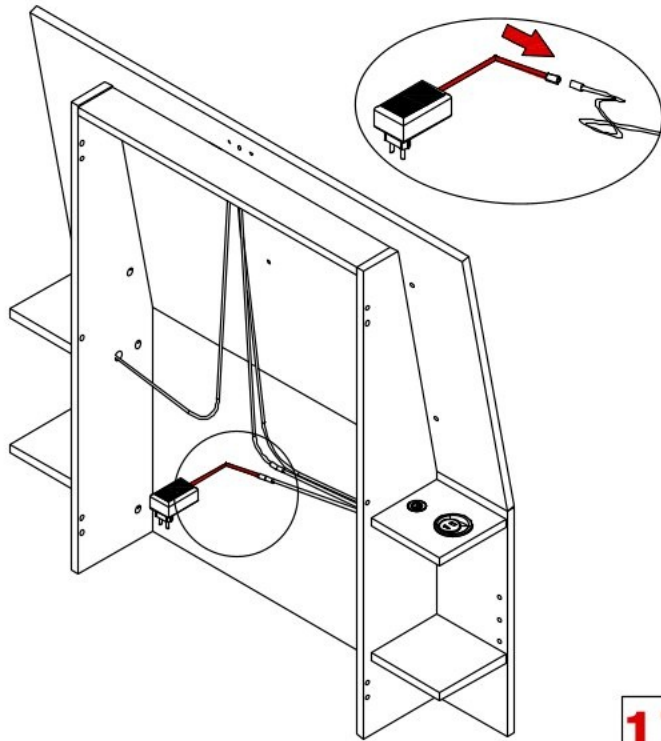
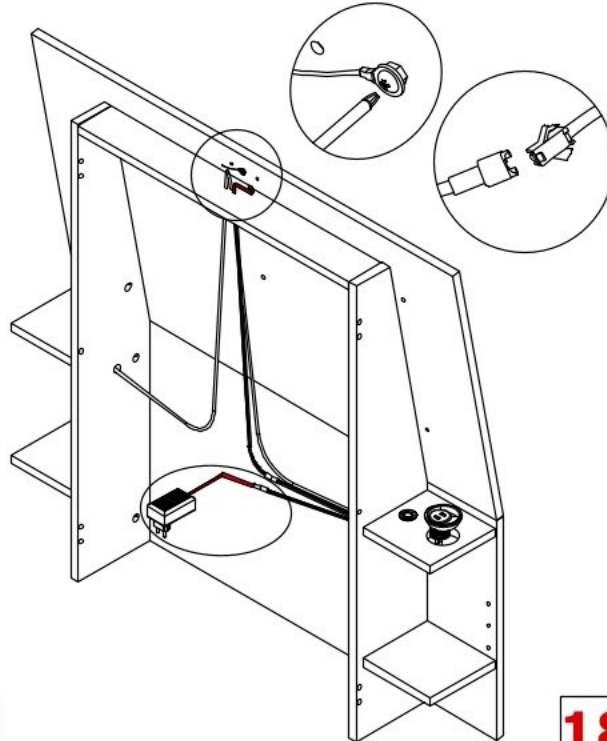
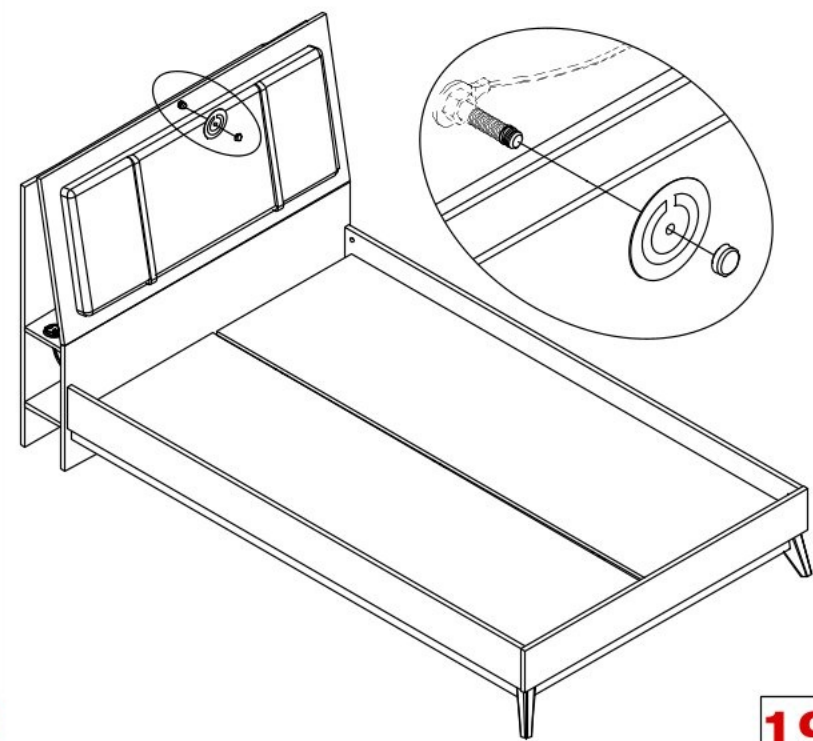
3x

114



4x



13**15****16****17****18****19**

