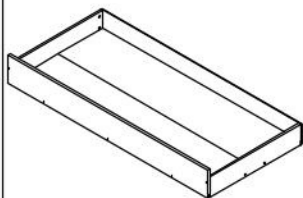







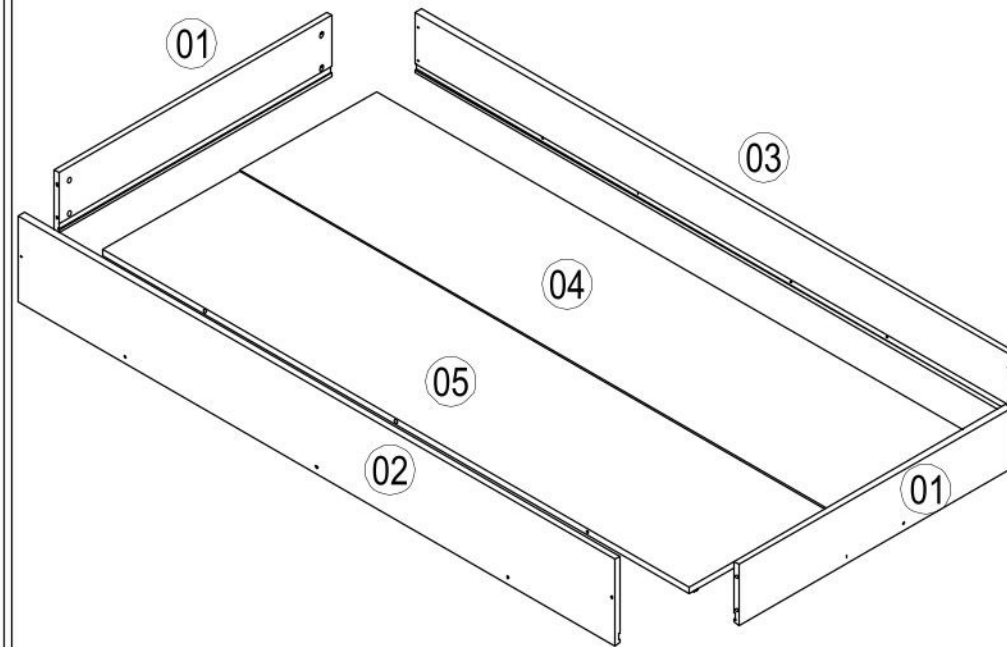


Šuplík pod postel COLIN



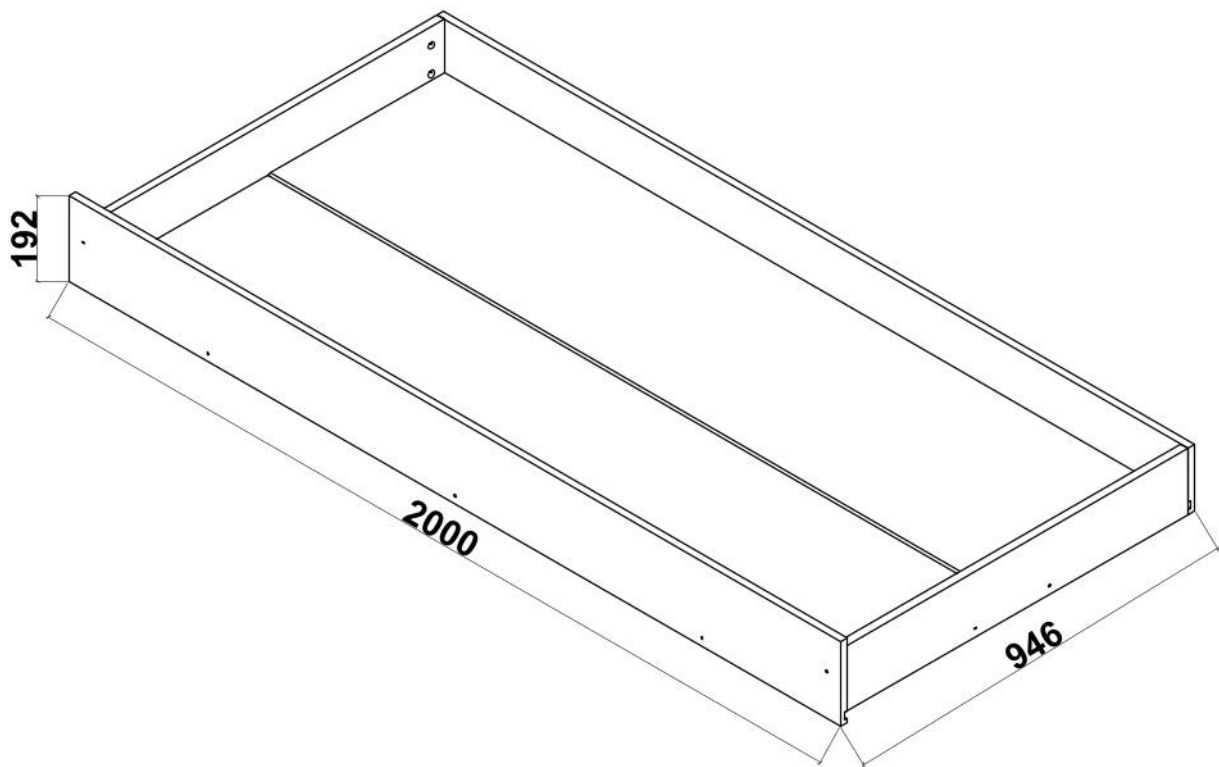
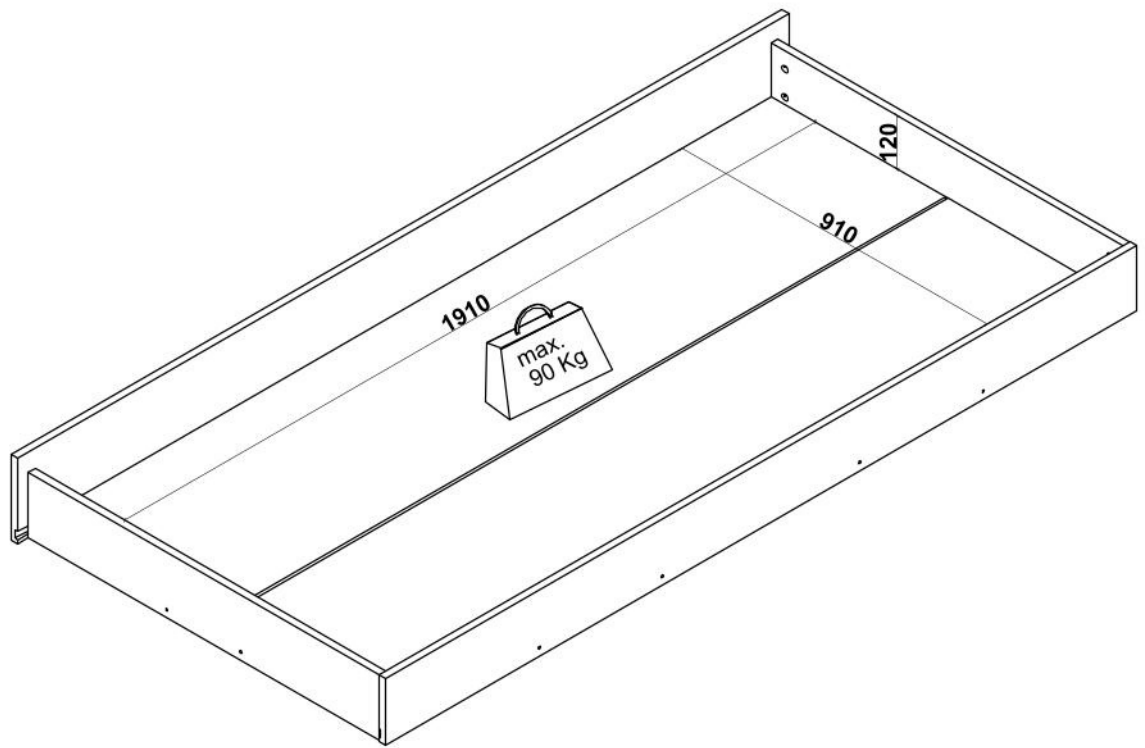
<p>ACCESSORIE NO : 002 TITUS MİNİFIX GÖVDE</p>  <p>11 ADET</p>	<p>ACCESSORIE NO : 317 10'LUK MİNİFIX MİL</p>  <p>6 ADET</p>	<p>ACCESSORIE NO : 092 4*18 MM S. VİDASI</p>  <p>12 ADET</p>	<p>ACCESSORIE NO : 075 KÜÇÜK TEKER</p>  <p>6 ADET</p>	<p>ACCESSORIE NO : 020 MİNİFIX TAPA</p>  <p>8 ADET</p>
<p>ACCESSORIE NO : 097 4*45 S. VİDASI</p>  <p>8 ADET</p>	<p>ACCESSORIE NO : 271 TEK TARAF LI MİNİFIX MİL</p>  <p>5 ADET</p>			



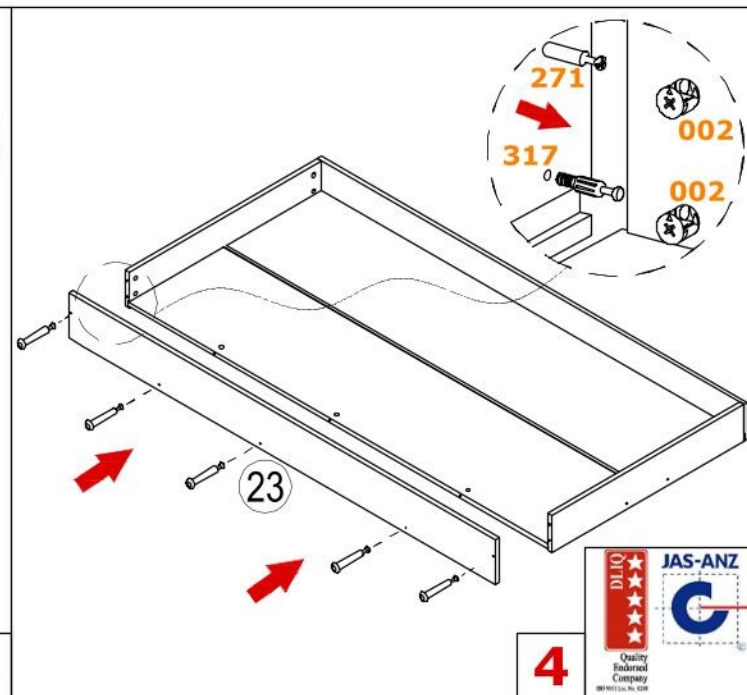
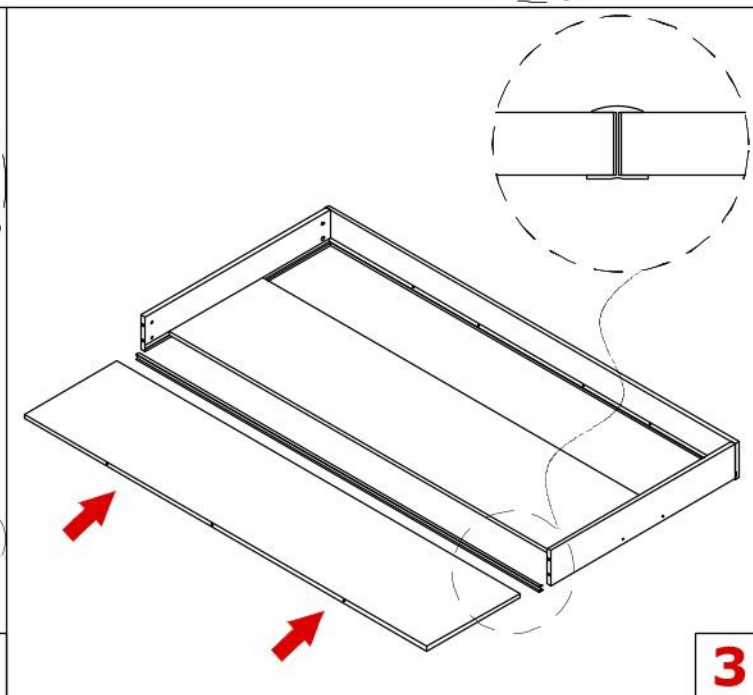
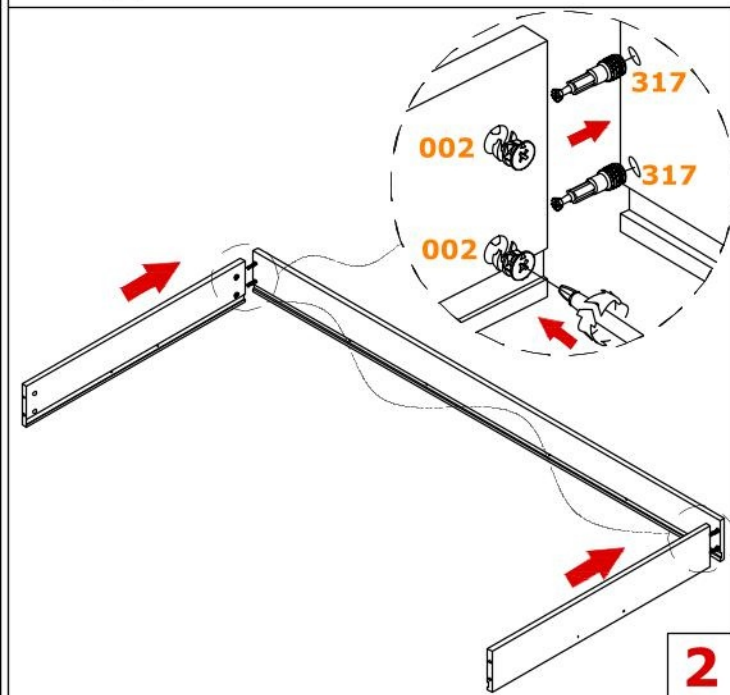
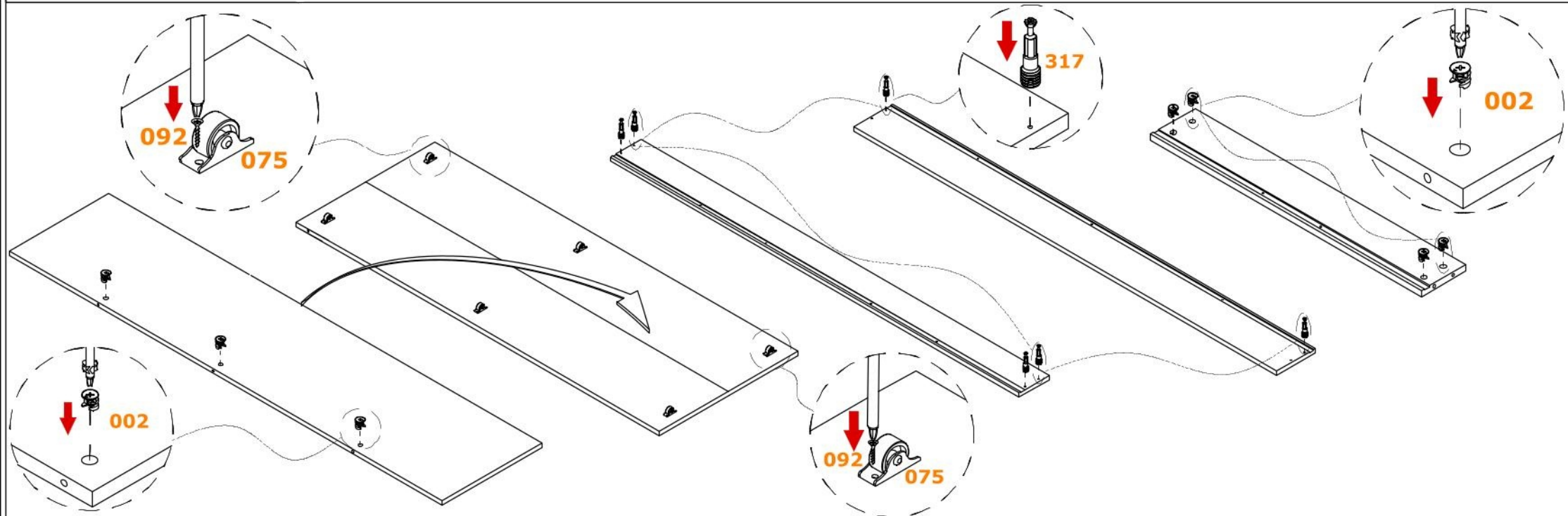
NO	ADET/PCS	ÖLÇÜ/DIMENSIONS	NO	ADET/PCS	ÖLÇÜ/DIMENSIONS	NO	ADET/PCS	ÖLÇÜ/DIMENSIONS
01	02	910 X 148						
02	01	2000 X 192						
03	01	1948 X 148						
04	01	1915 X 457						
05	01	1915 X 457						

PLEASE ORDER THE ACCESSORIES ACCORDING TO THE REFERENCE NUMBER ON THE DRAWING(EXAMPLE ACCESSORIE NO-008 RAFIX MIL 1.PCS.)

PLEASE ORDER THE SPARE PARTS ACCORDING TO THE REFERENCE NUMBER ON THE DRAWING



INSTALLATION STEPS



INSTALLATION STEPS

