














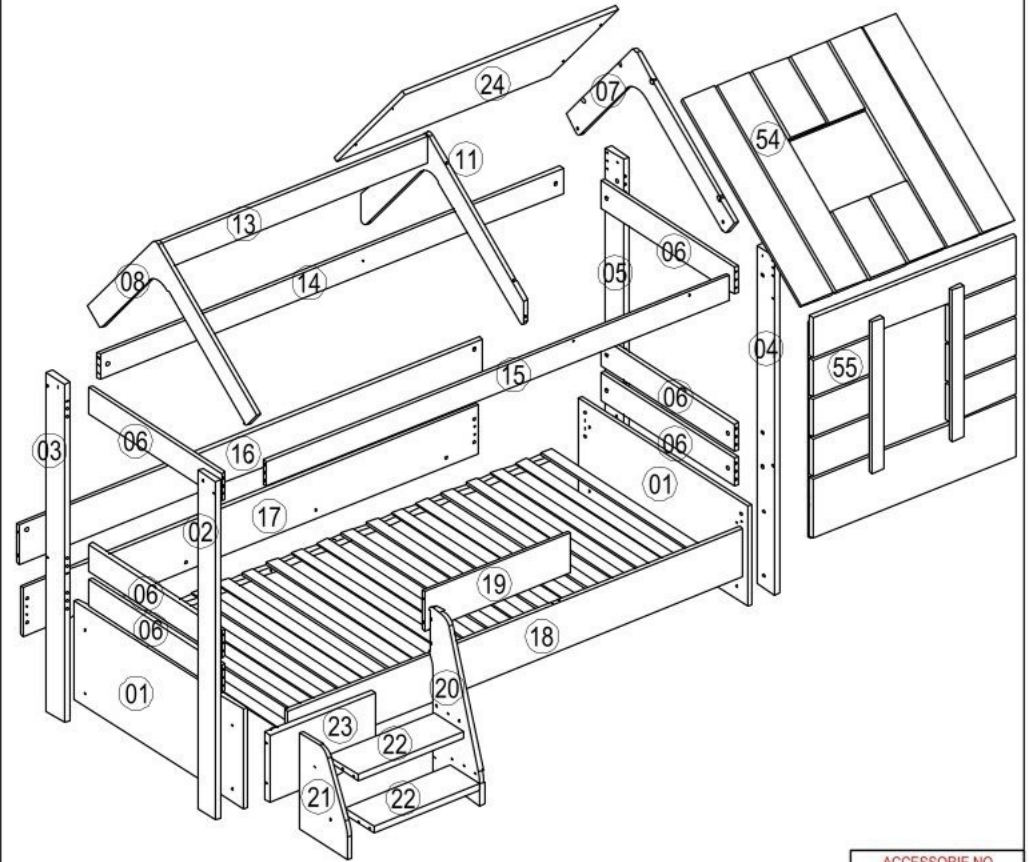




Domečková postel se
schůdky 90x190
BOOM

AKSESUAR LİSTESİ / ACCESSORIES LIST

<p>ACCESSORIE NO : 031 KARYOLA MENTEŞE</p>  <p>4 ADET</p>	<p>ACCESSORIE NO : 114 M6*15 YSB VİDA</p>  <p>16 ADET</p>	<p>ACCESSORIE NO : 002 TİTUS MİNİFİX GÖVDE</p>  <p>27 ADET</p>	<p>ACCESSORIE NO : 041 MİNİFİX ARA MİL(68mm)</p>  <p>13 ADET</p>	<p>ACCESSORIE NO : 510 Ø15 METAL SİLİNDİRİK SOMUN</p>  <p>15 ADET</p>
<p>ACCESSORIE NO : 113 3.5*18 MM S. VİDASI</p>  <p>20 ADET</p>	<p>ACCESSORIE NO : 001 MİNİFİX MİL 6 MM</p>  <p>1 ADET</p>	<p>ACCESSORIE NO : 131 4mm ALYAN ANAHTAR</p>  <p>2 ADET</p>	<p>ACCESSORIE NO : 238 M6*35 ALYAN VİDA</p>  <p>4 ADET</p>	<p>ACCESSORIE NO : 125 M6*60 ALYAN VİDA</p>  <p>15 ADET</p>
<p>ACCESSORIE NO : 376 M046 KORKULUK DESTEK</p>  <p>1 ADET</p>	<p>ACCESSORIE NO : 563 RAFİX MİL (11)</p>  <p>10 ADET</p>	<p>ACCESSORIE NO : 004 Ø8x30 KAVELA</p>  <p>54 ADET</p>	<p>ACCESSORIE NO : 105 M6*30 YSB VİDA</p>  <p>22 ADET</p>	
<p>ACCESSORIE NO : 593 YATAK ALTI LATASI 908 X 90 X 15</p>  <p>1 TAKIM</p>				



ACCESSORIE NO

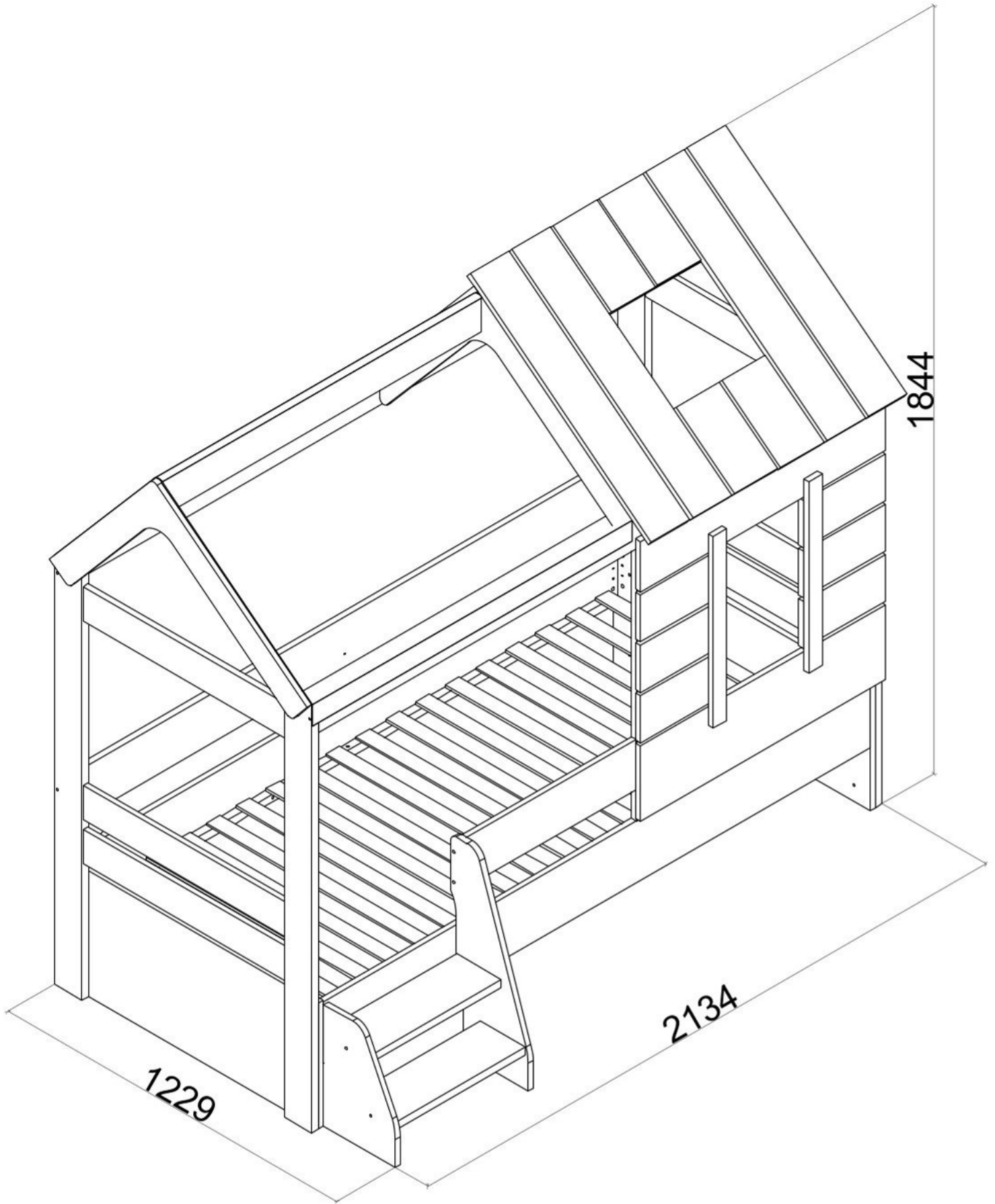


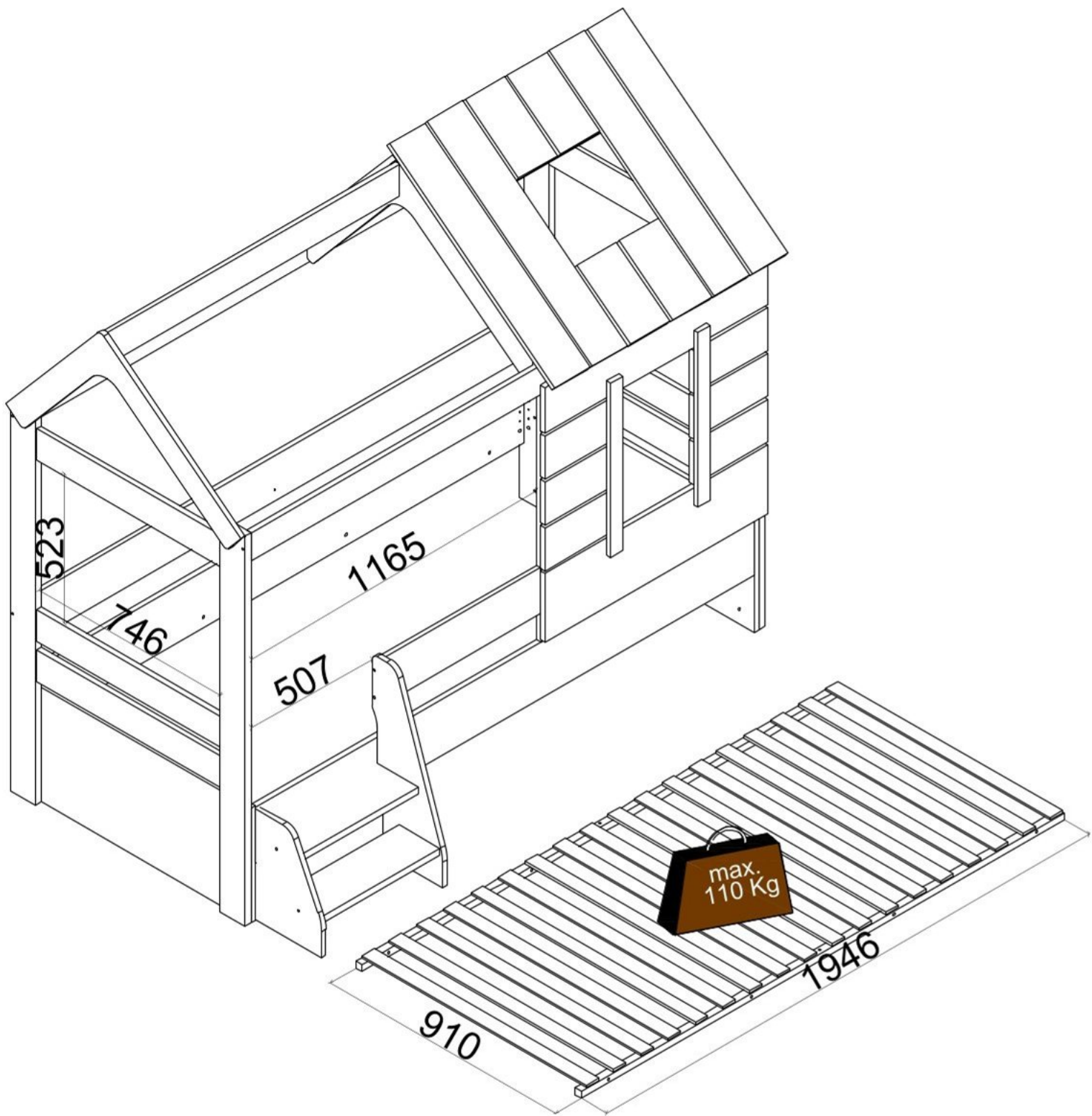
FR-002

NO	ADET/PCS	NO	ADET/PCS	NO	ADET/PCS
01	2	14	1	23	1
02	1	15	1	54	1
03	1	16	1	55	1
04	1	17	1		
05	1	18	1		
06	6	19	1		
07	1	20	1		
08	1	21	1		
11	1	22	2		
13	1	23	1		

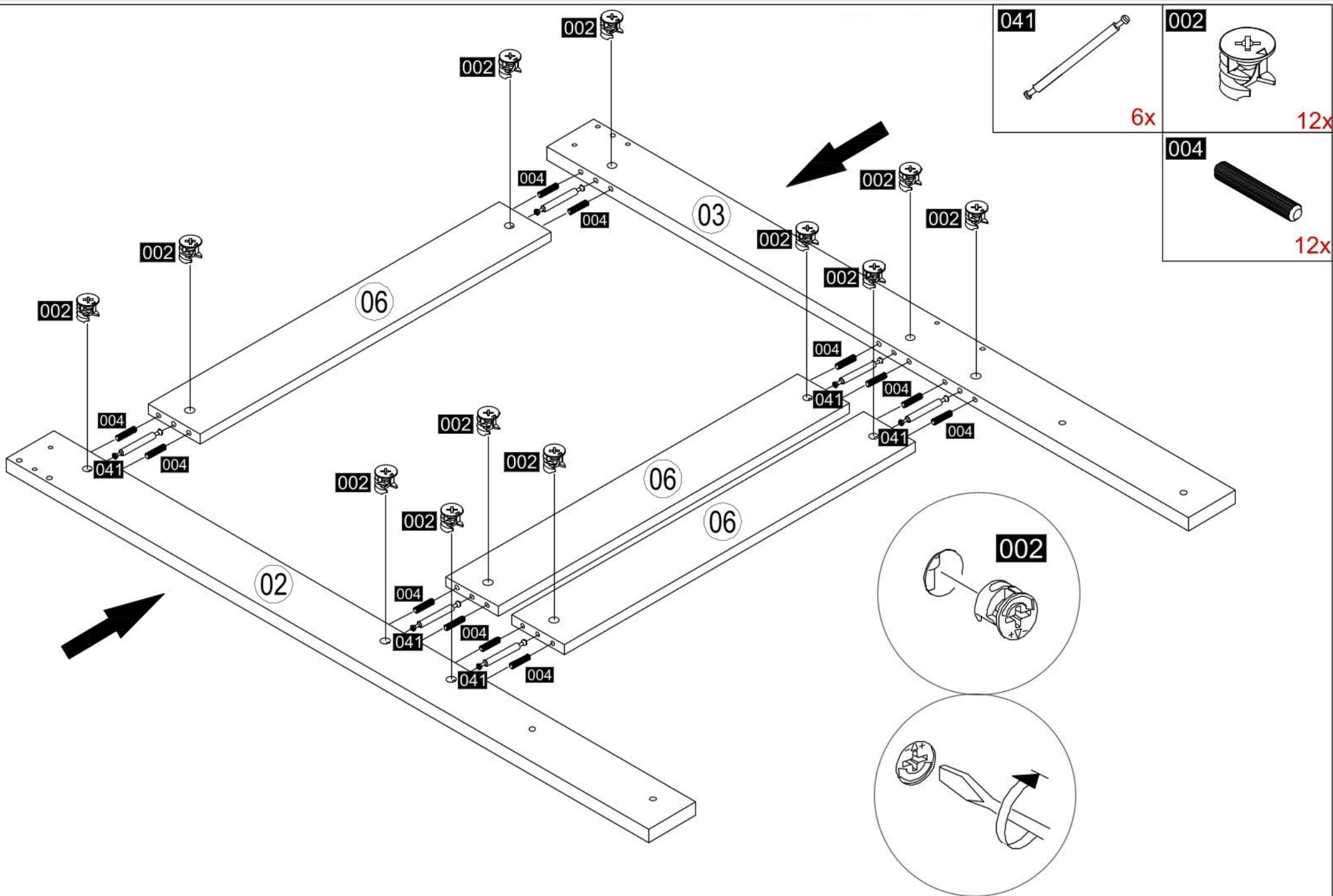
YEDEK AKSESUAR SİPARİŞLERİNİ RESME BAKARAK VERİNİZ. (Örn:ACCESSORIE.NO:008 - RAFİX MİL - 1 Ad.)
PLEASE ORDER THE ACCESSORIES ACCORDING TO THE REFERENCE NUMBER ON THE DRAWING(EXAMPLE ACCESSORIE NO-008 RAFİX MİL 1.PCS.)

YEDEK PARÇA SİPARİŞLERİNİ RESME BAKARAK PARÇA NUMARASINA GÖRE VERİNİZ
PLEASE ORDER THE SPARE PARTS ACCORDING TO THE REFERENCE NUMBER ON THE DRAWING

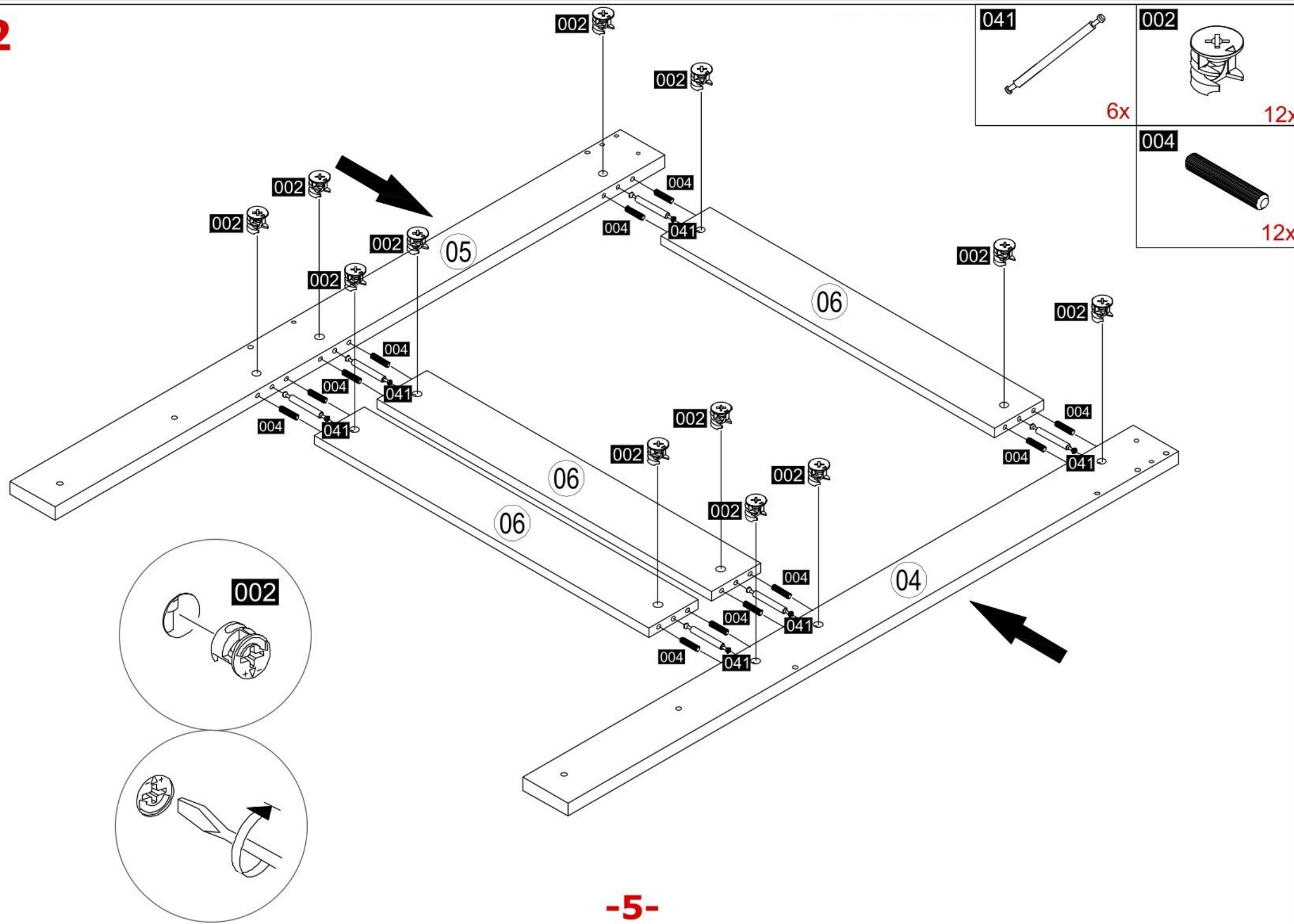




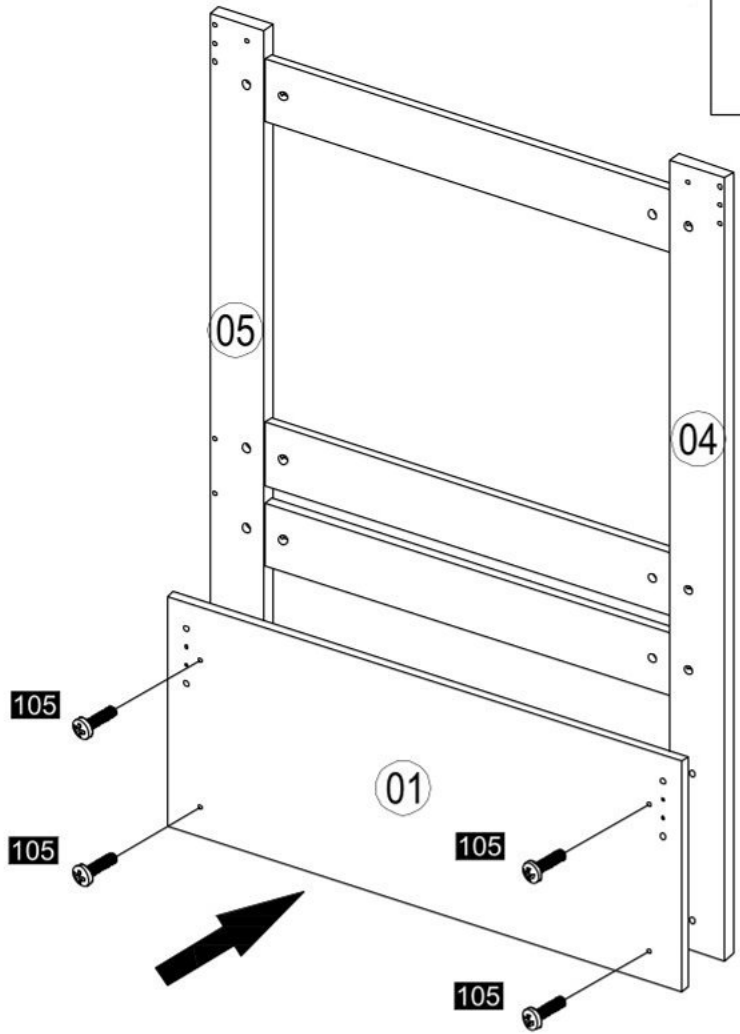
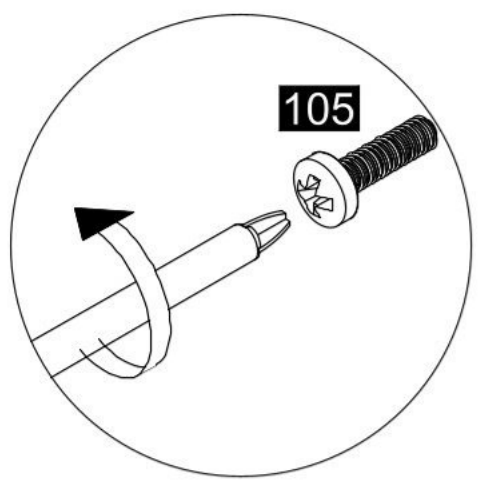
1



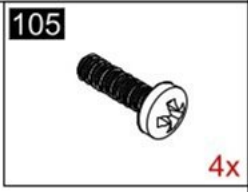
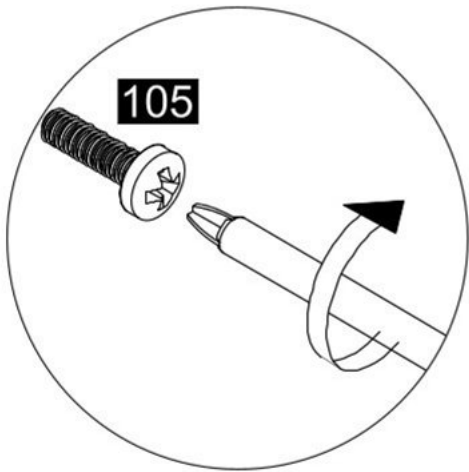
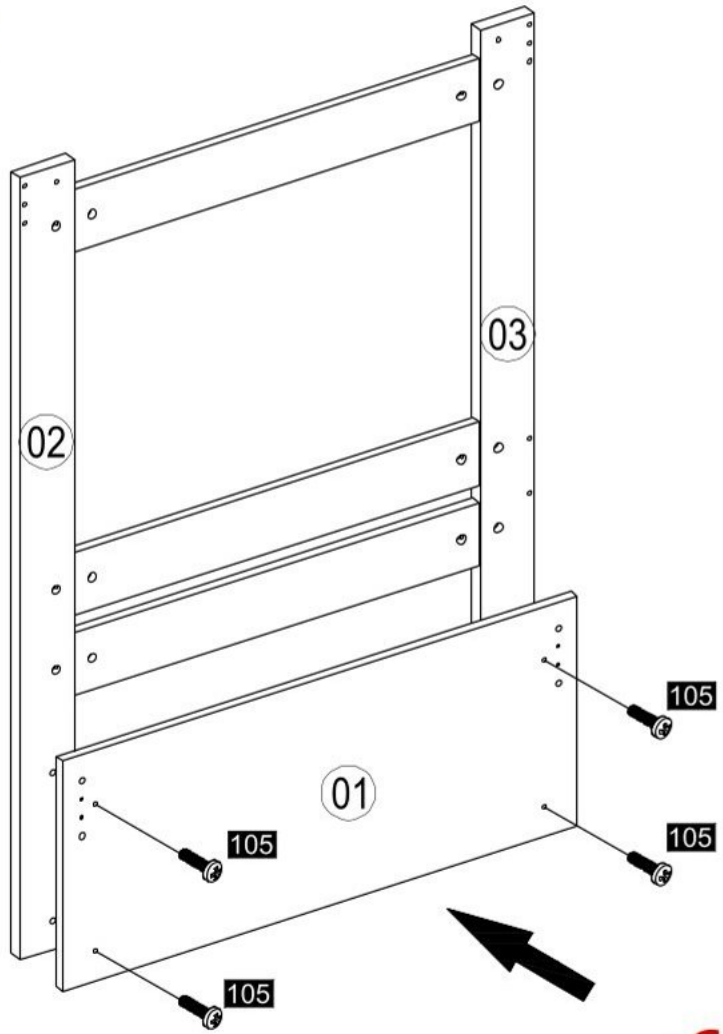
2



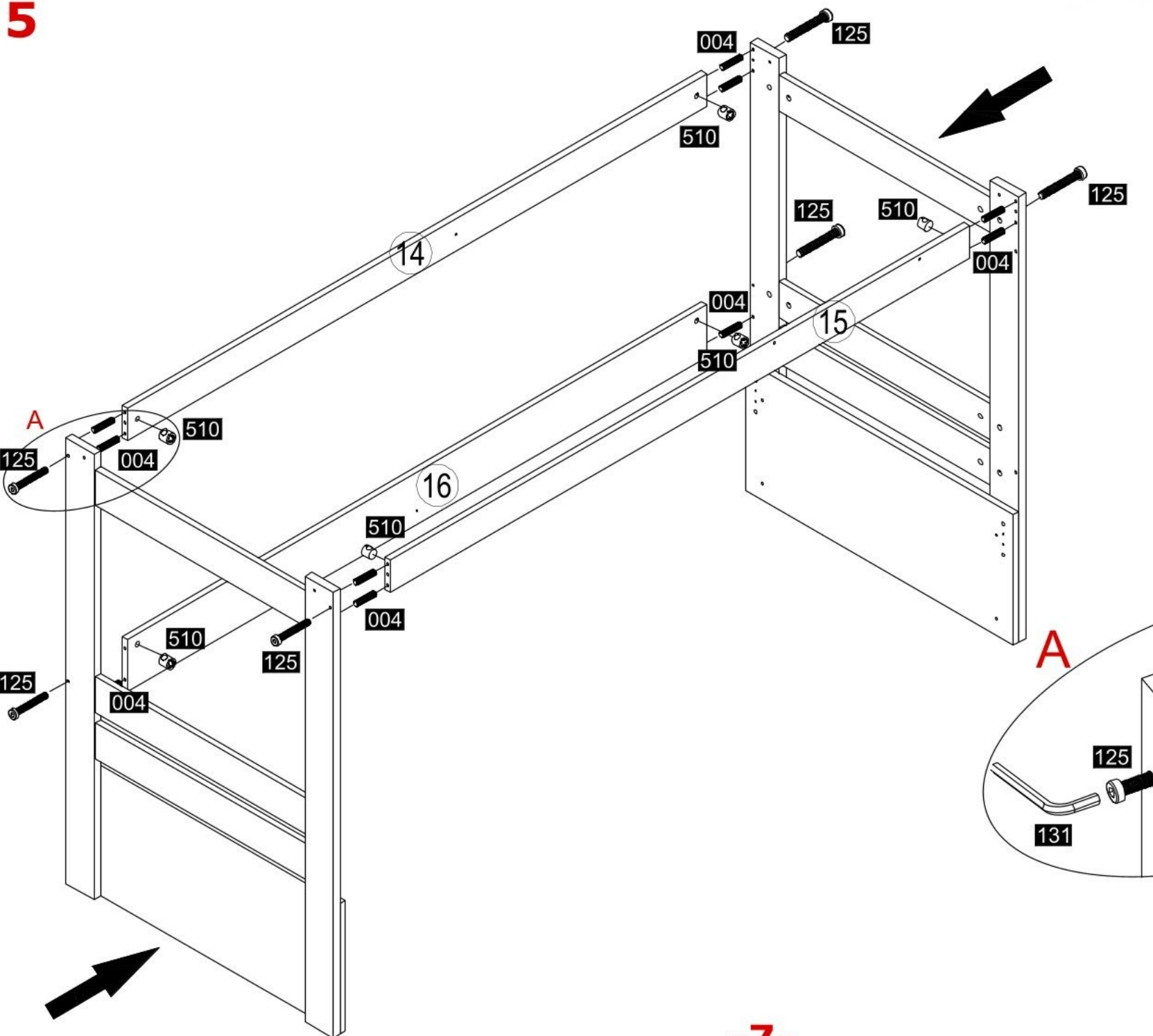
3



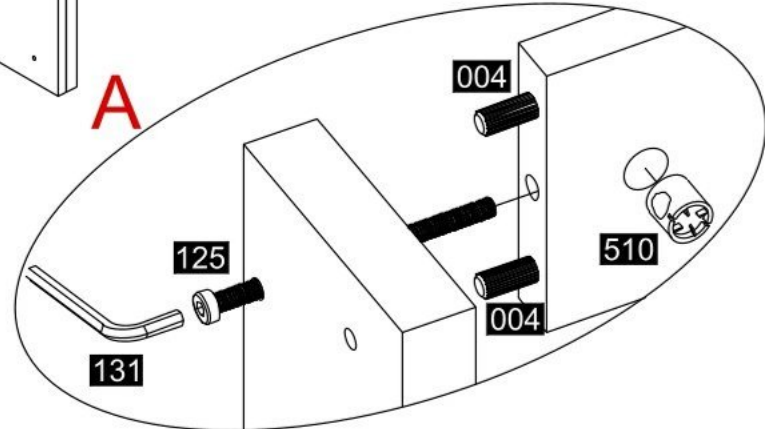
4



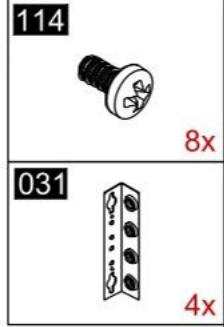
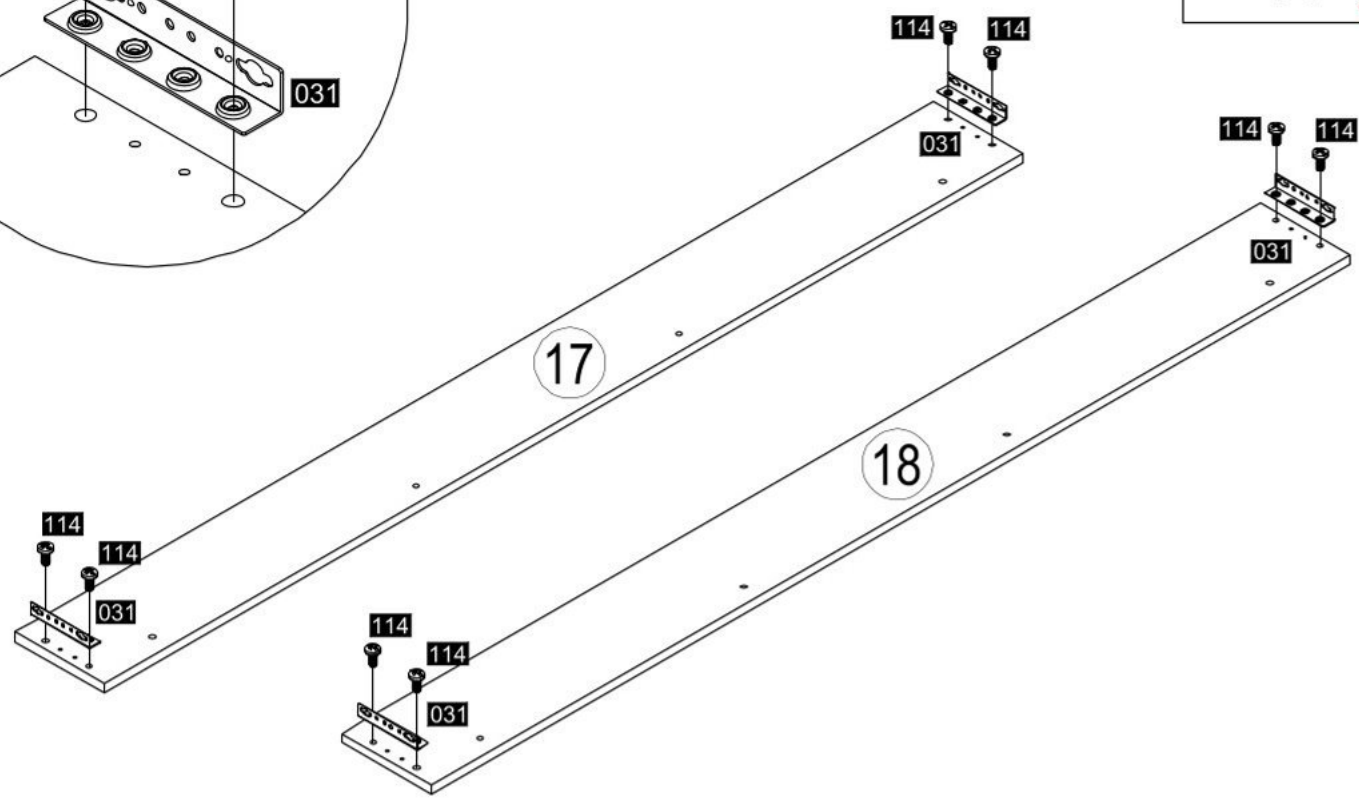
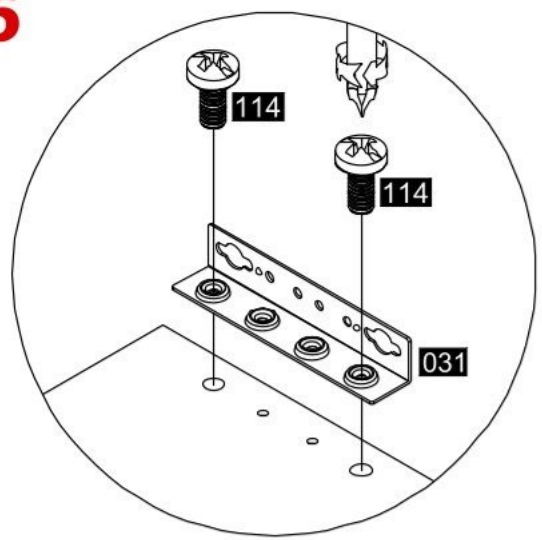
5



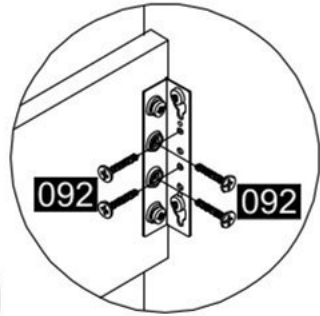
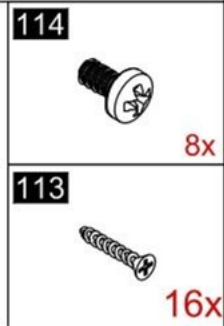
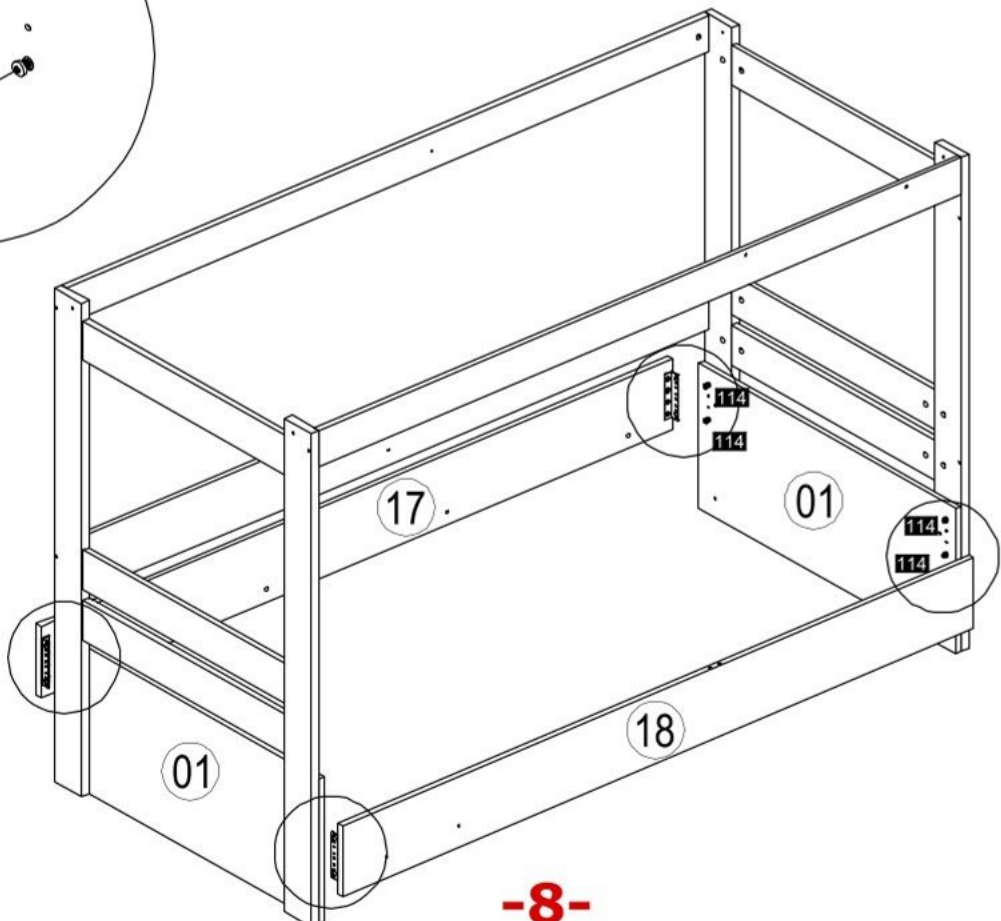
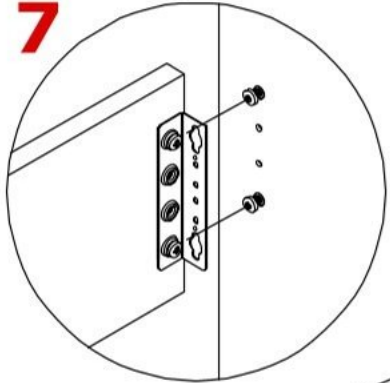
 125 6x	 510 6x
 004 10x	 131 1x



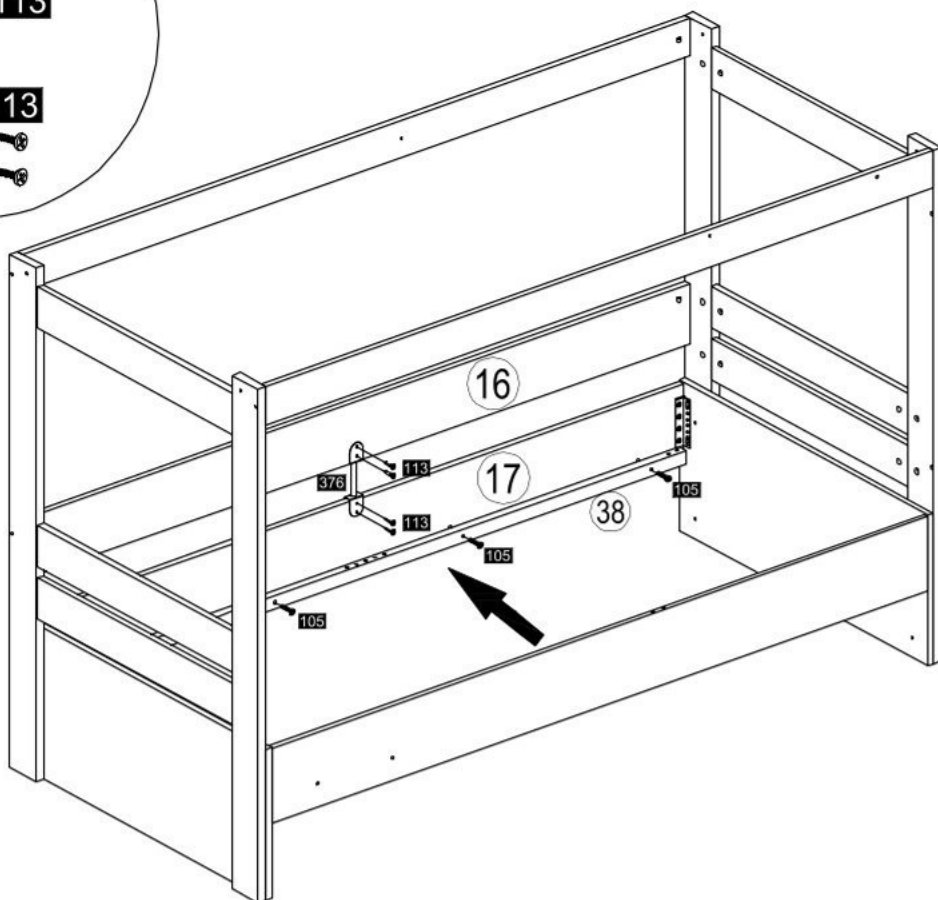
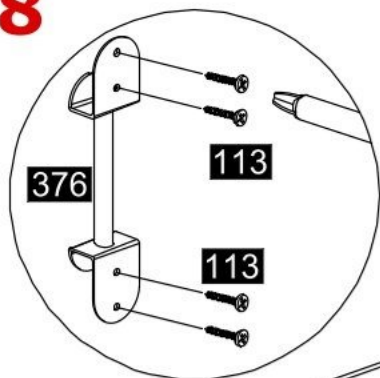
6



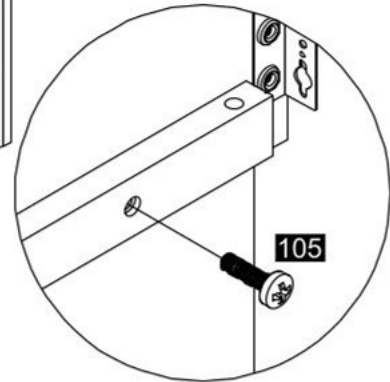
7



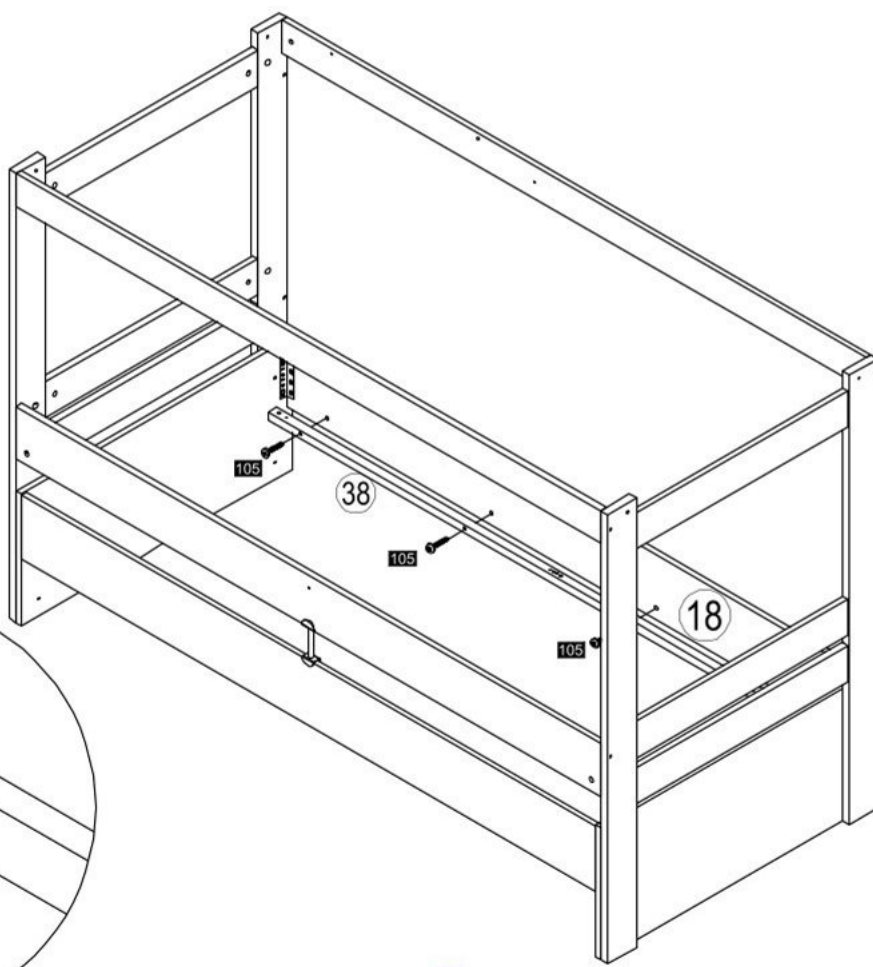
8



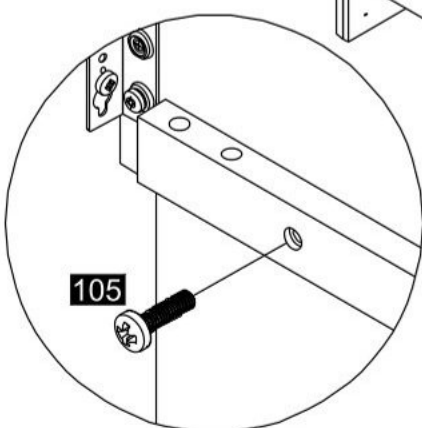
- 376 1x
- 105 5x
- 113 4x



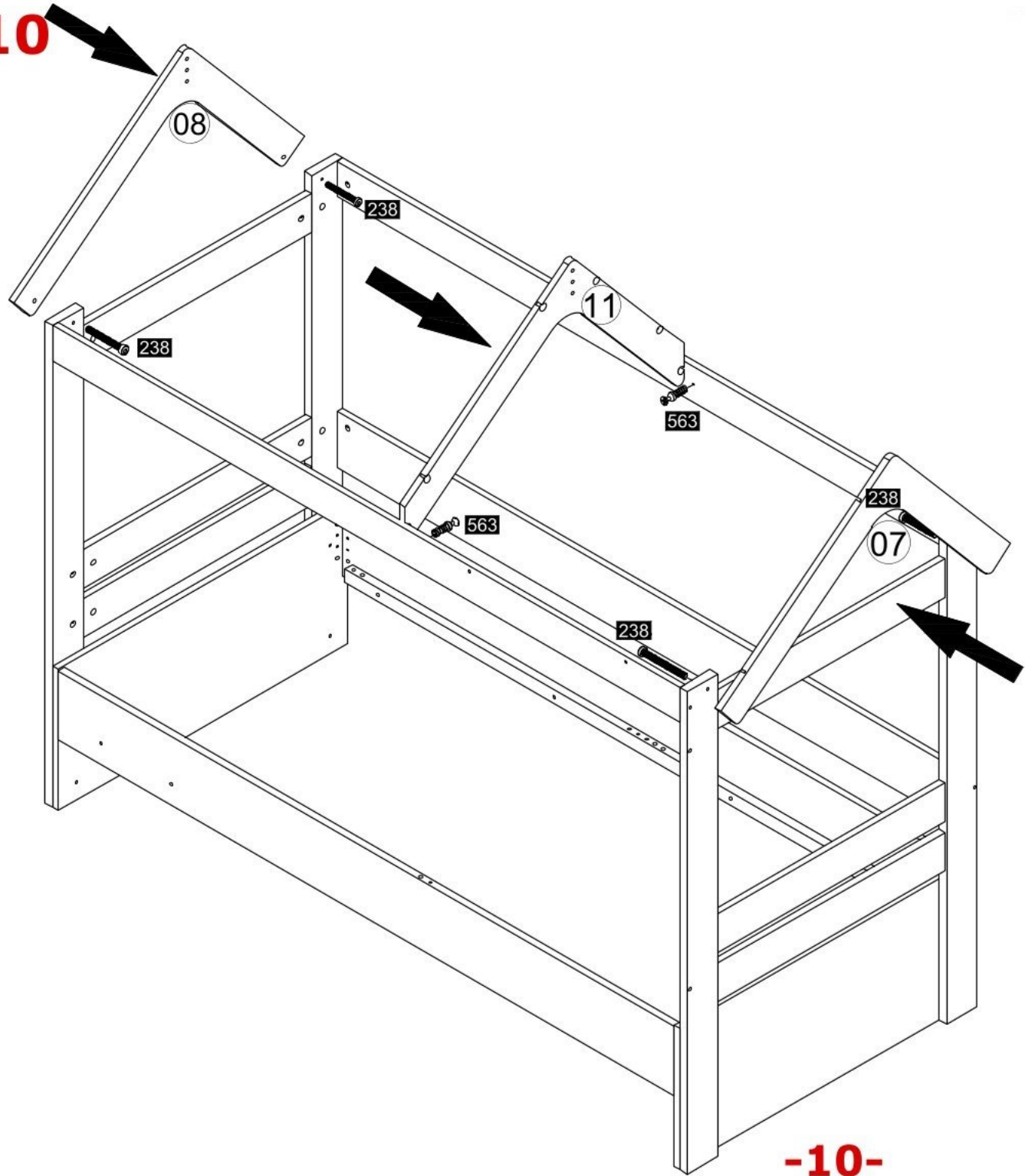
9



- 105 5x



10

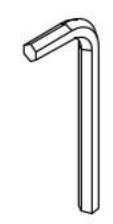


238



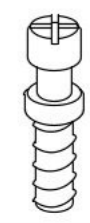
4x

131

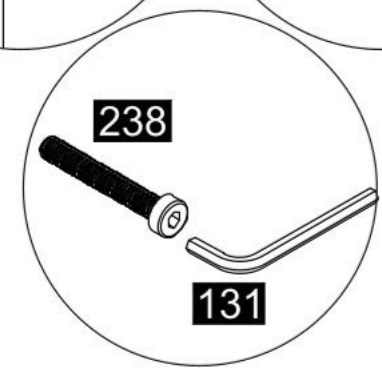
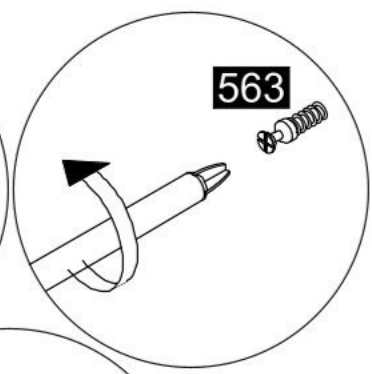
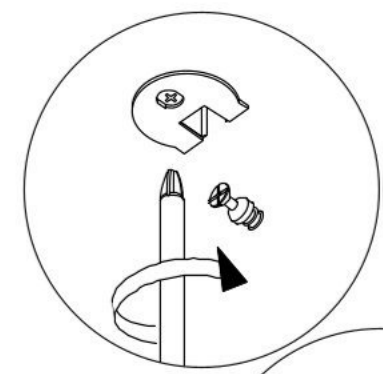


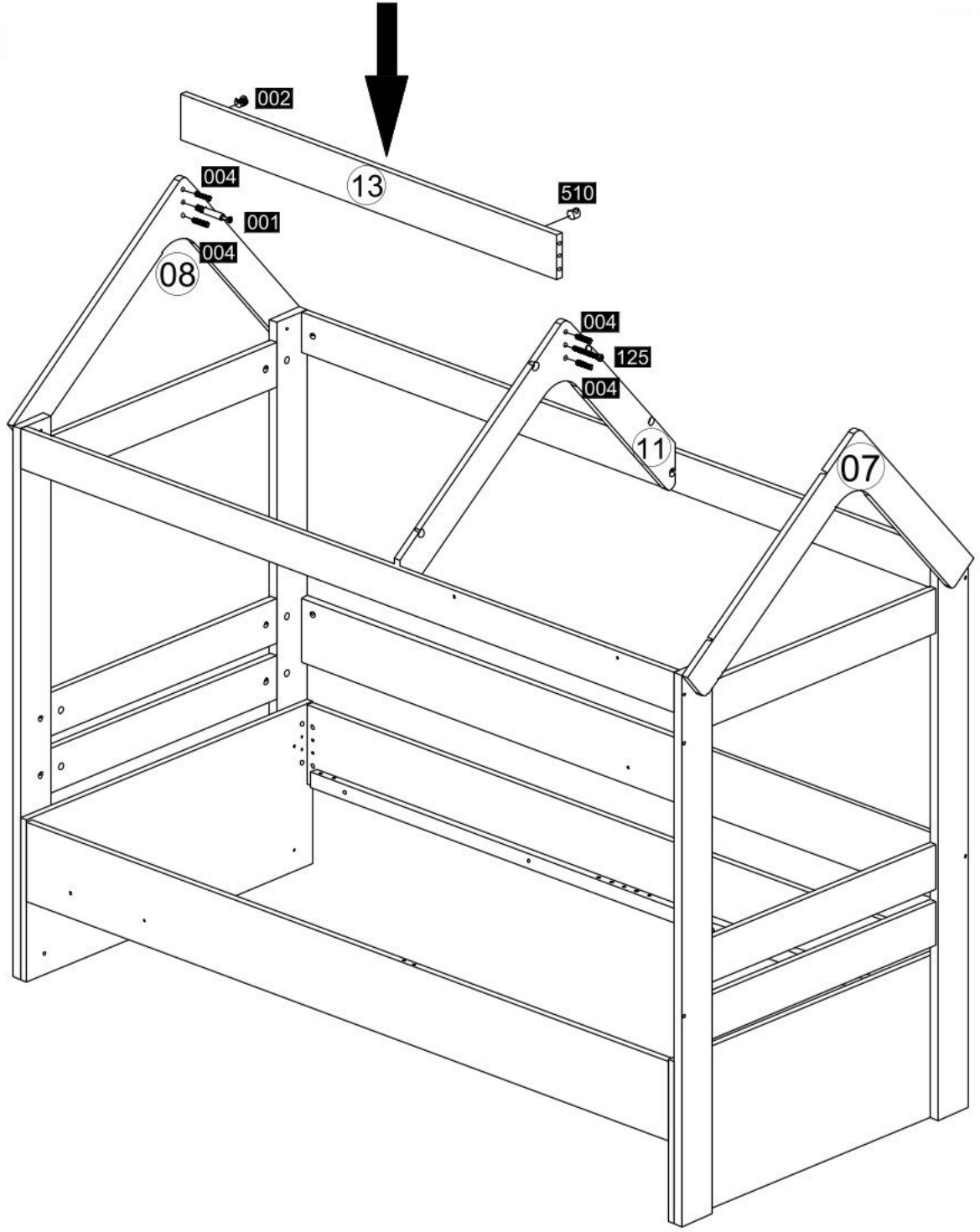
1x

563

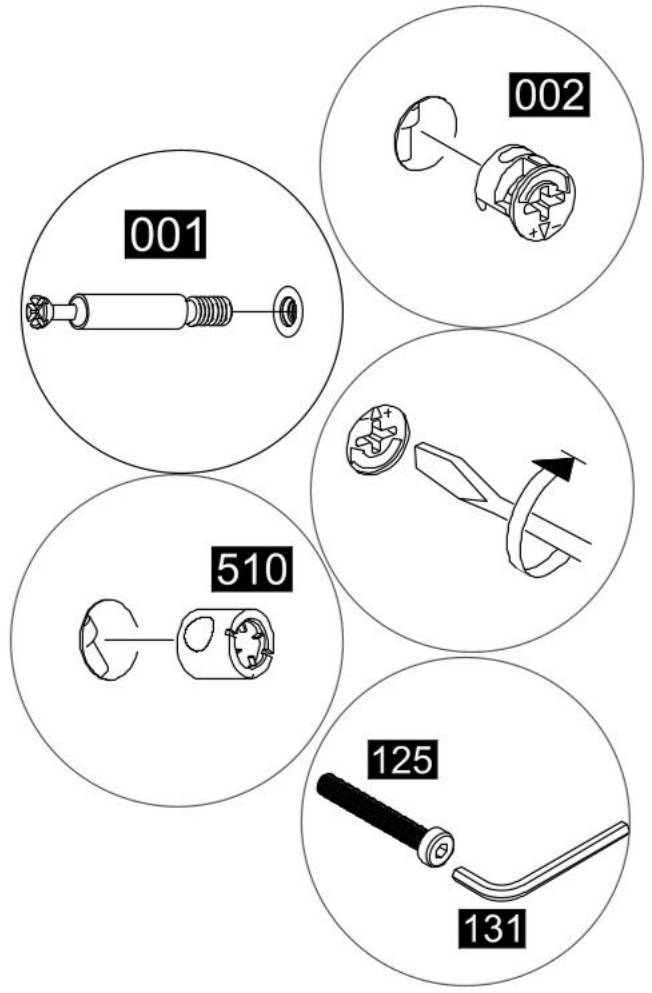


2x

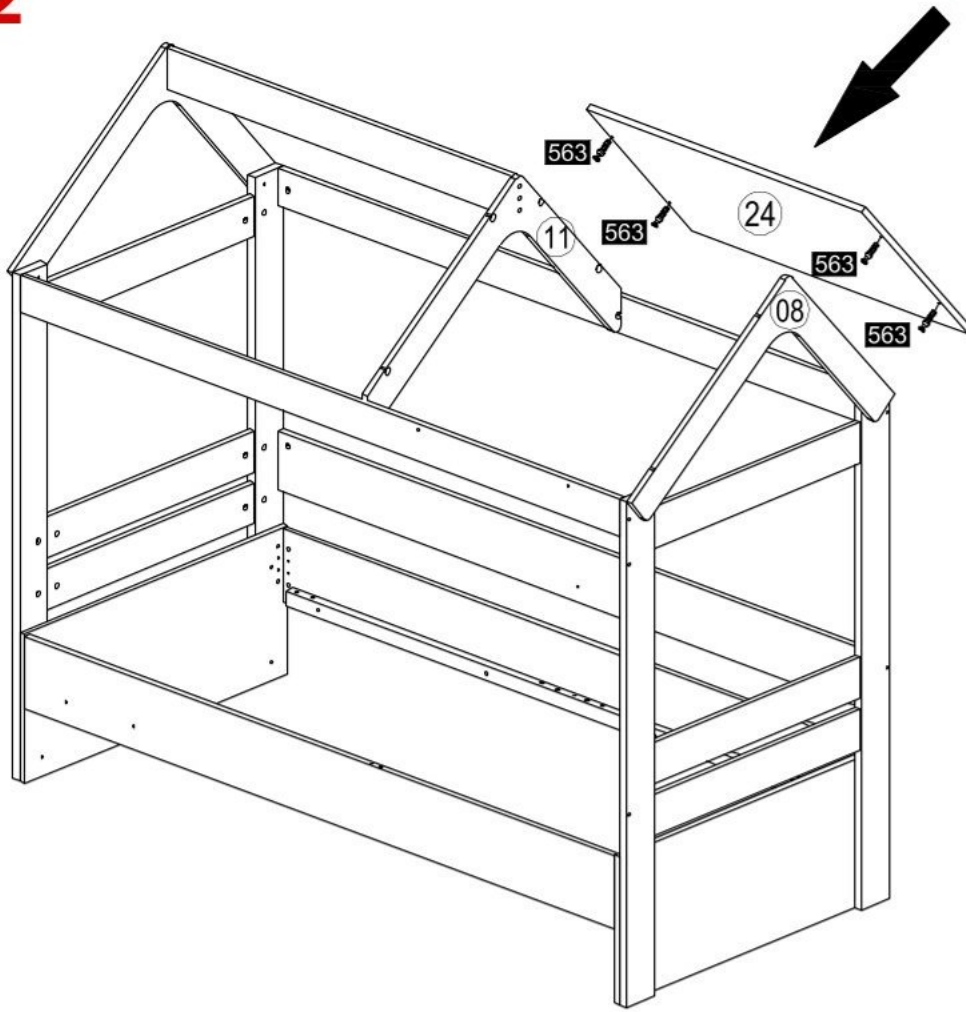




<p>004</p> <p>4x</p>	<p>510</p> <p>1x</p>	<p>125</p> <p>1x</p>
<p>131</p> <p>1x</p>	<p>001</p> <p>1x</p>	<p>002</p> <p>1x</p>



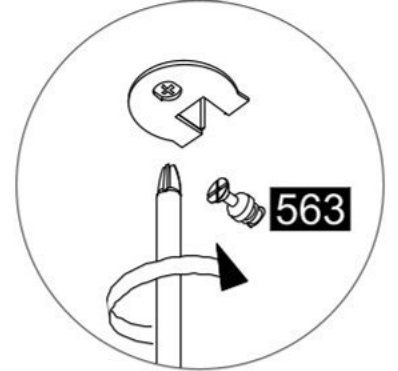
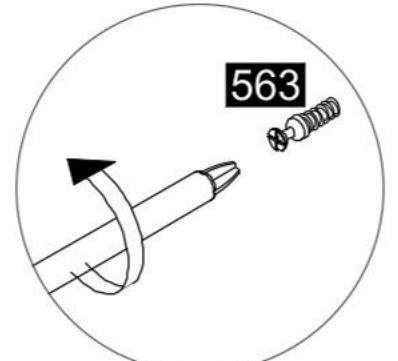
12



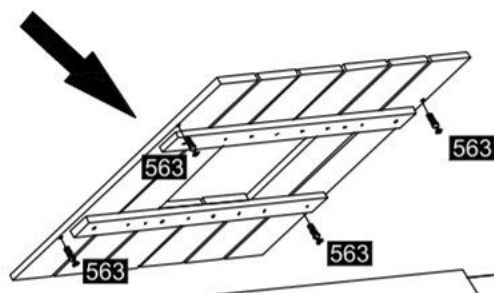
563



4x



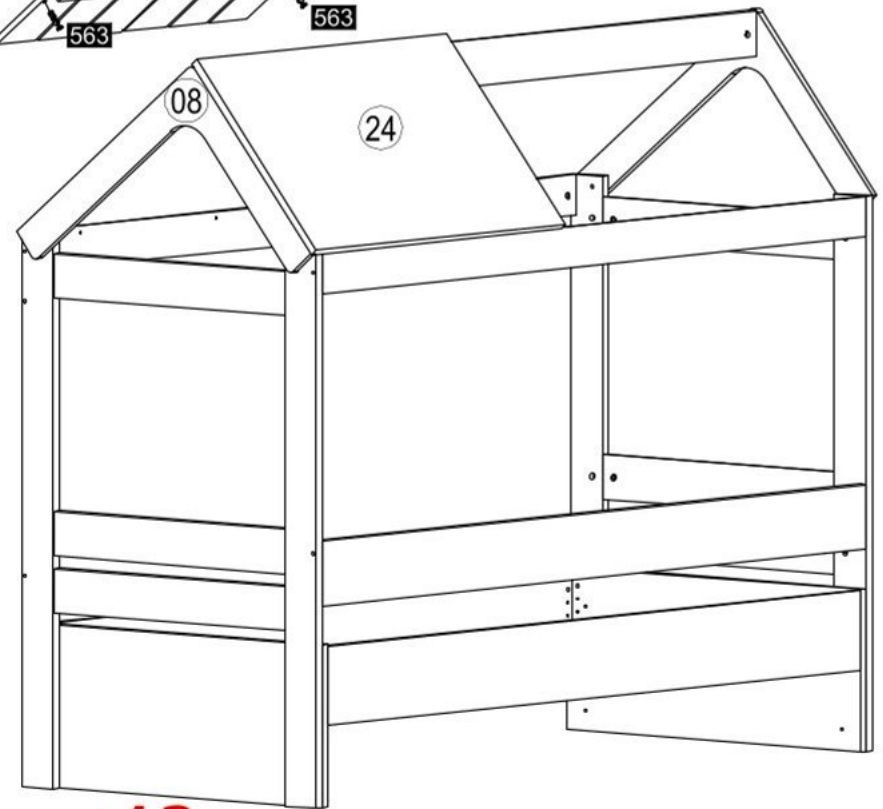
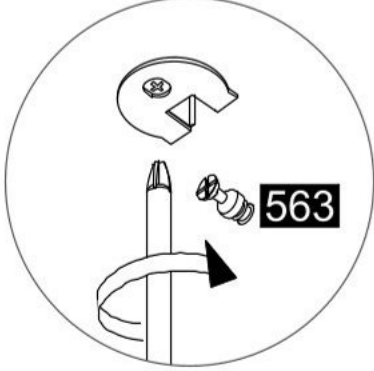
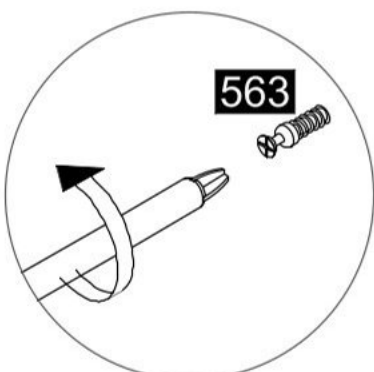
13

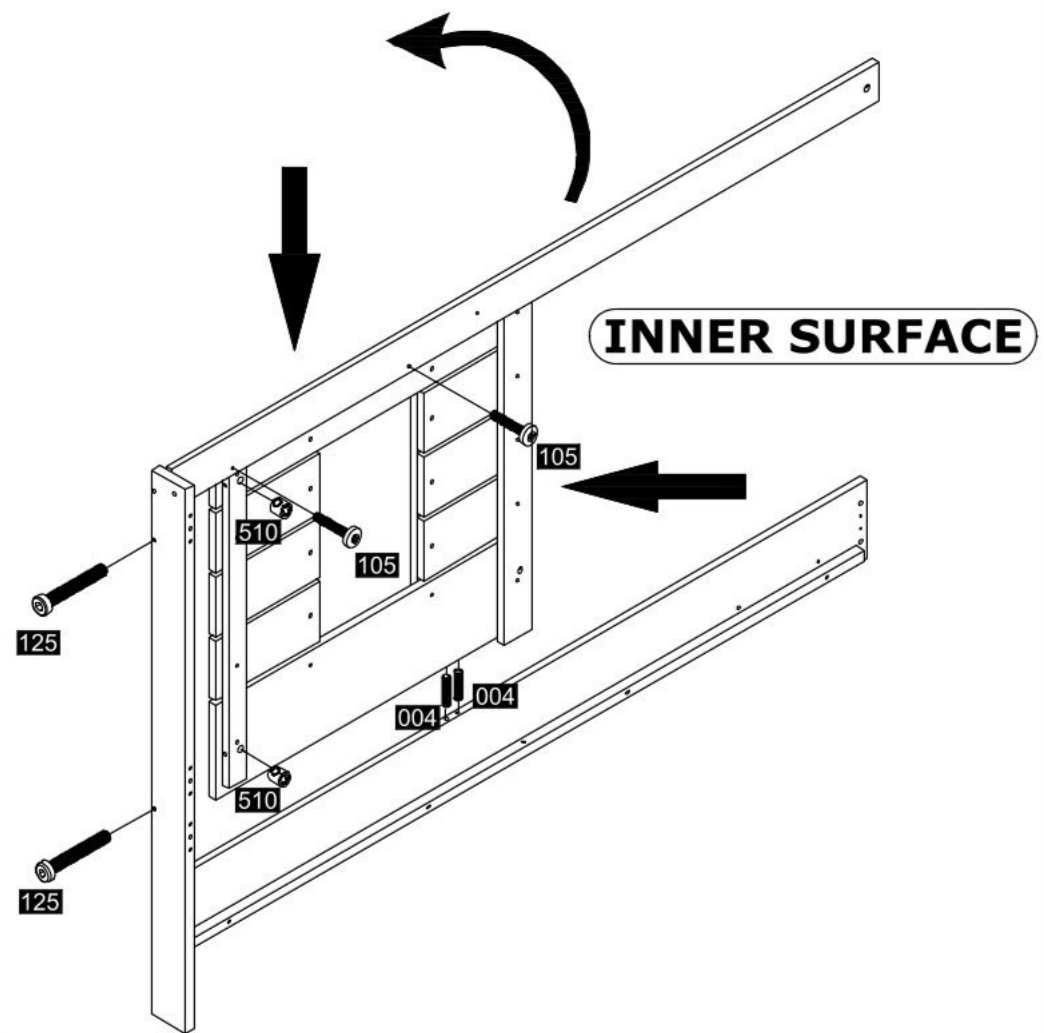
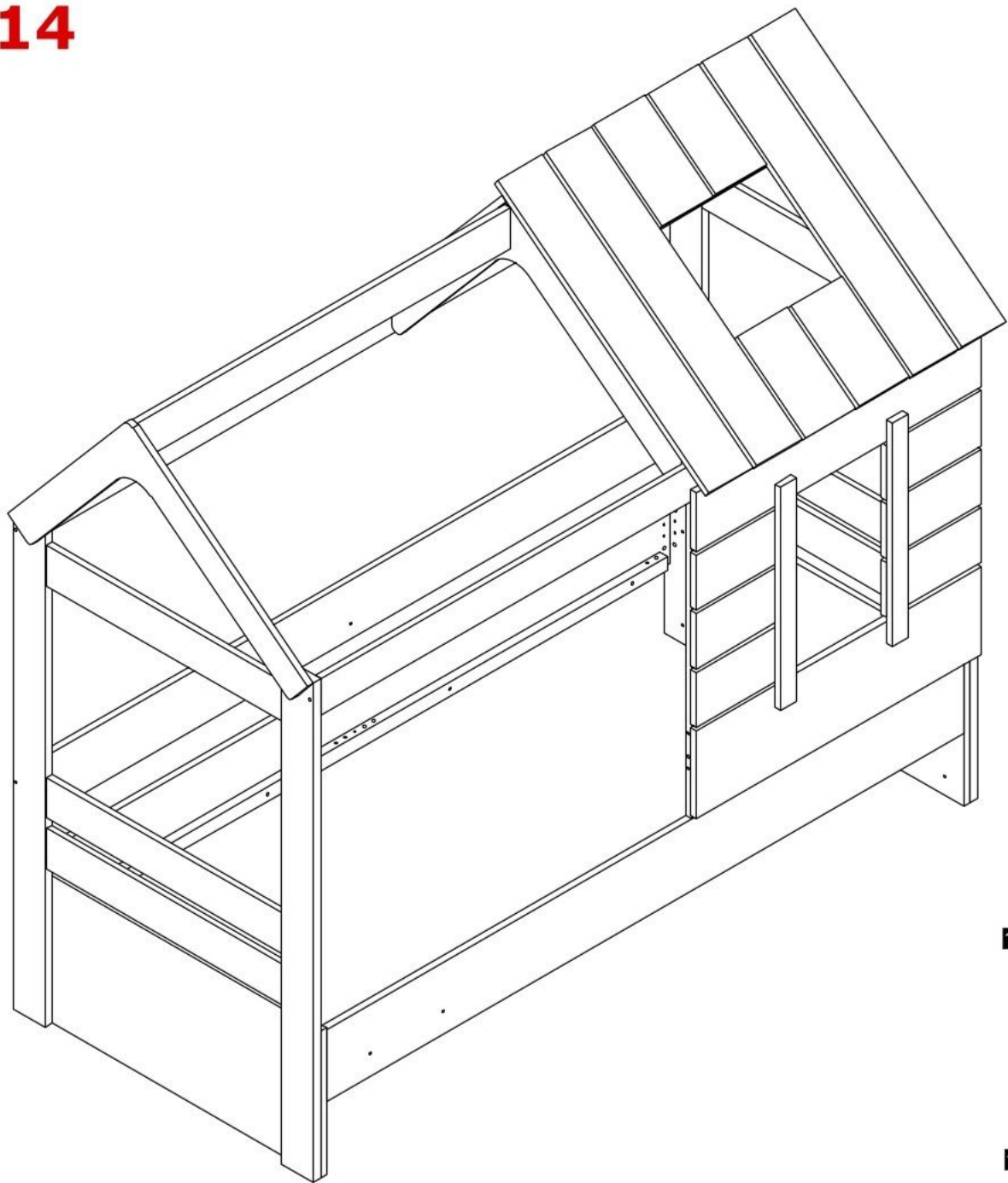


563

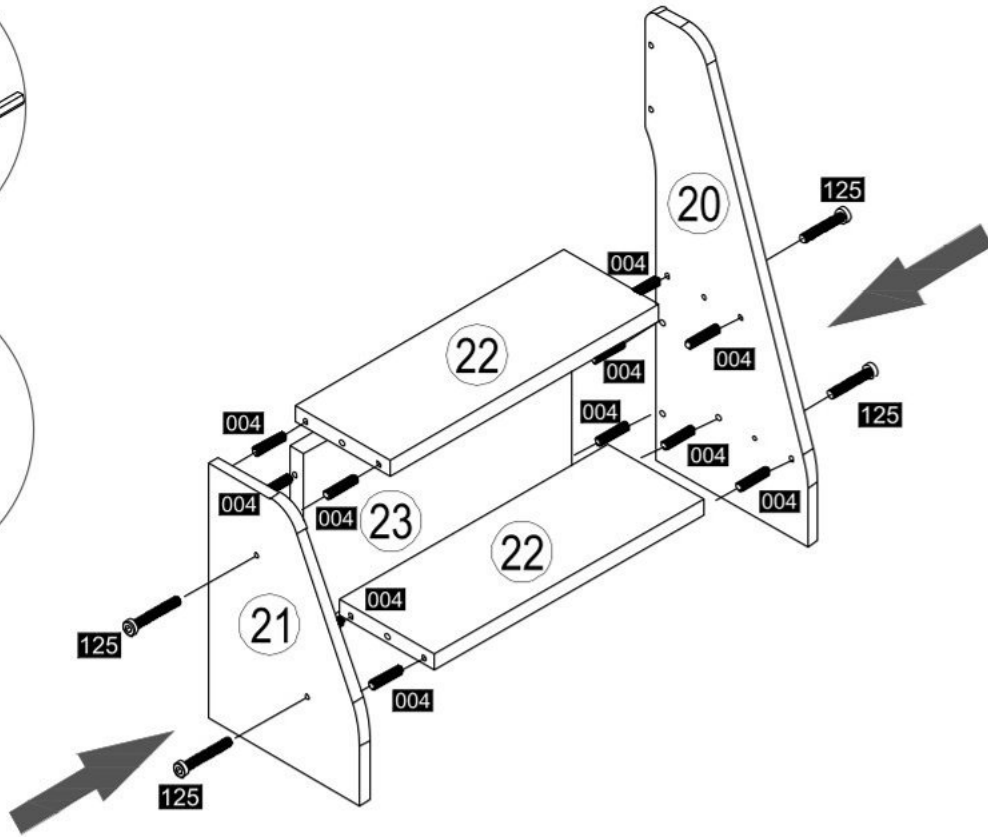
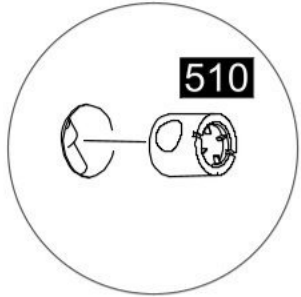


4x

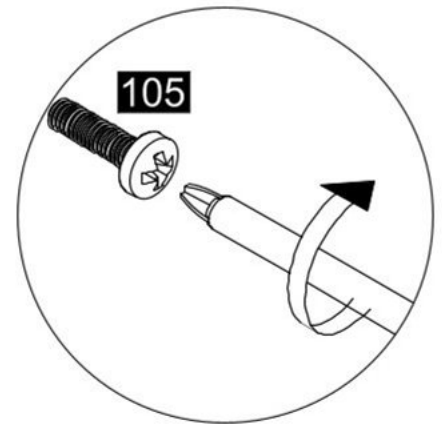
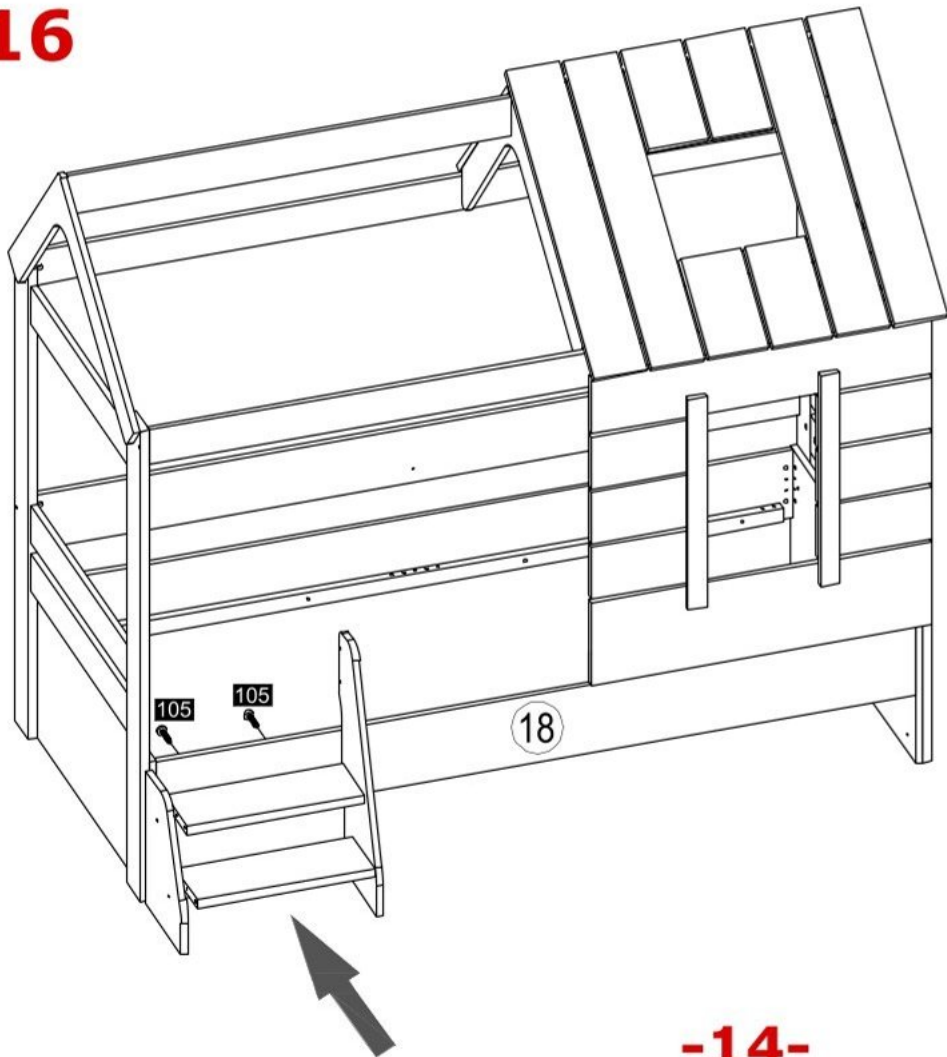


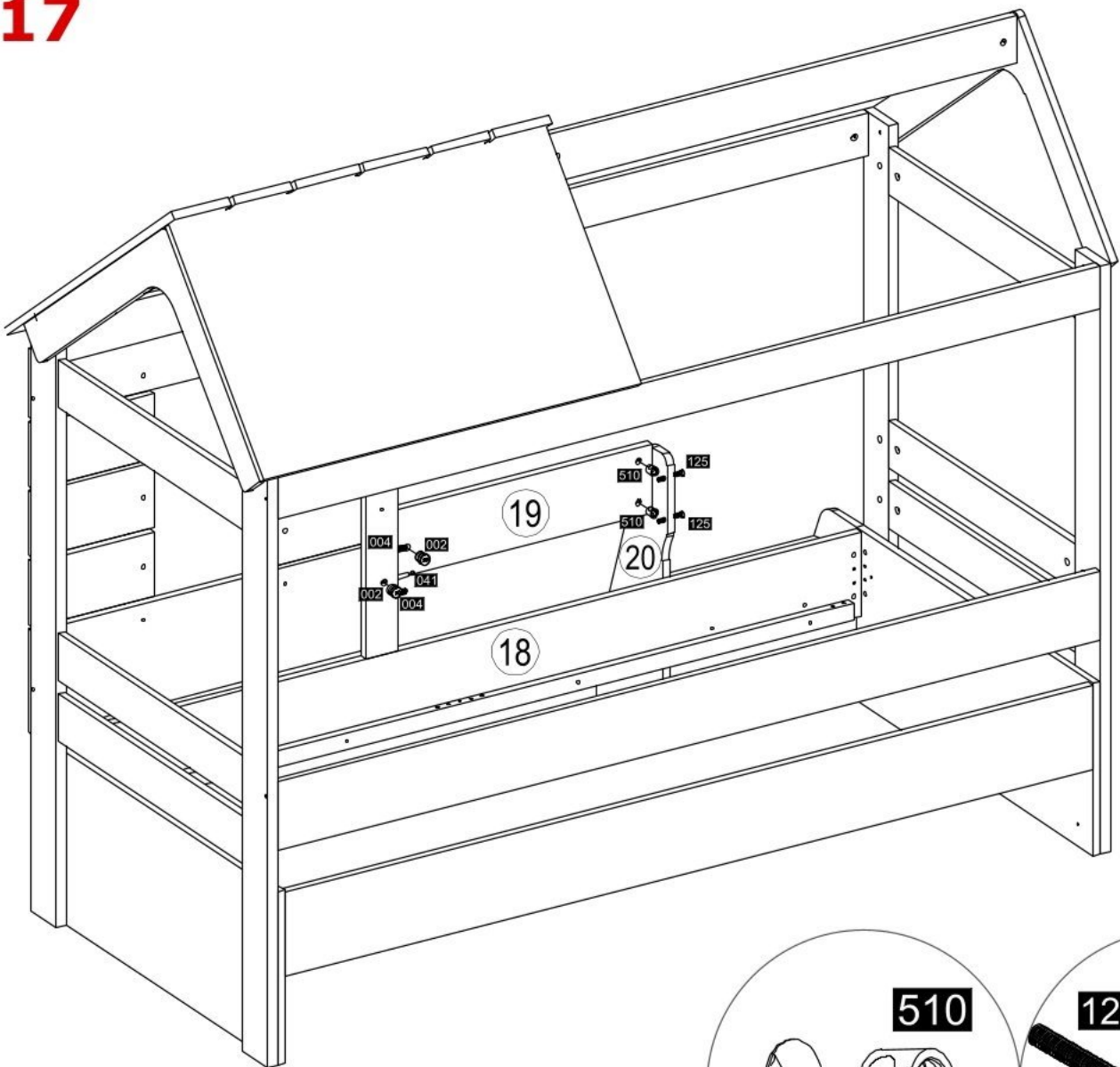


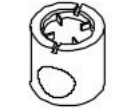



15

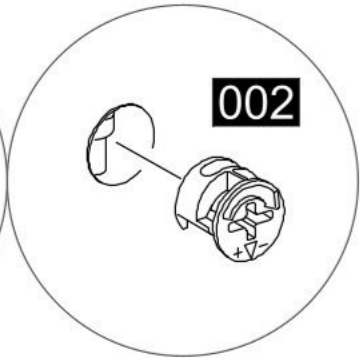
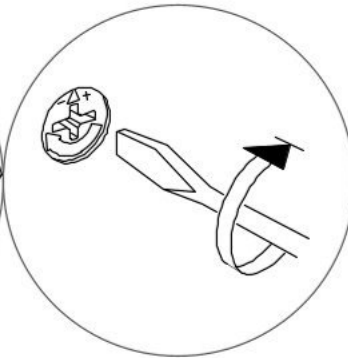
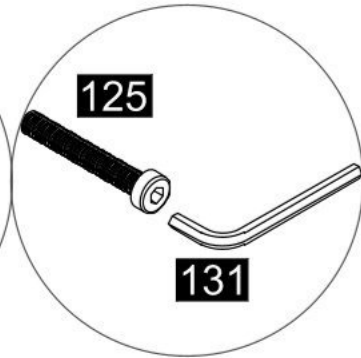
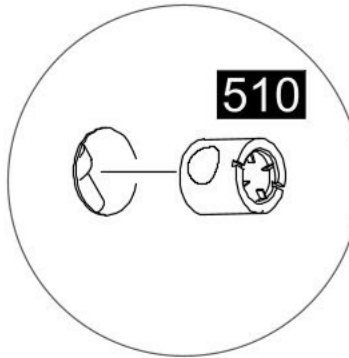


16

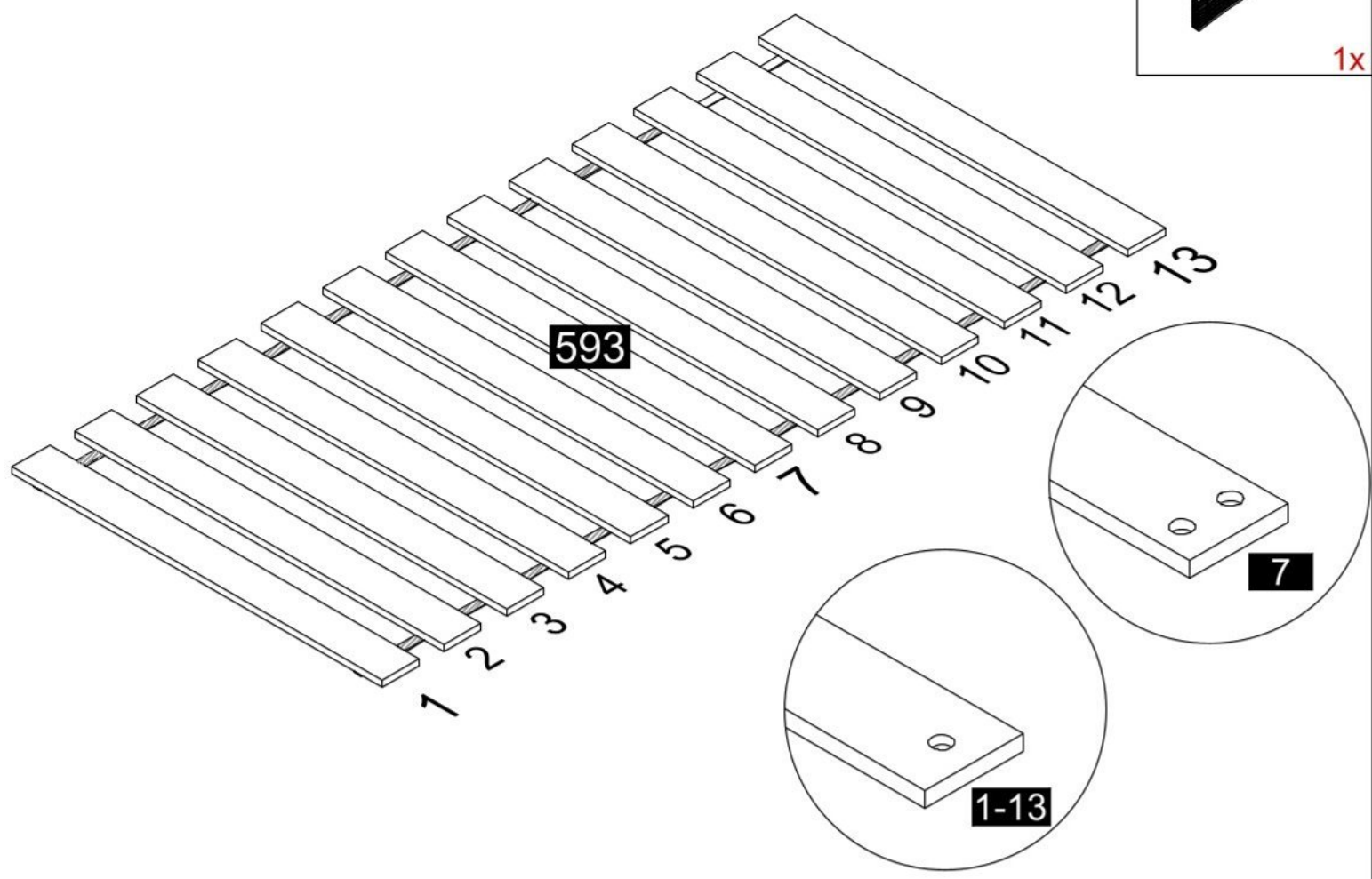




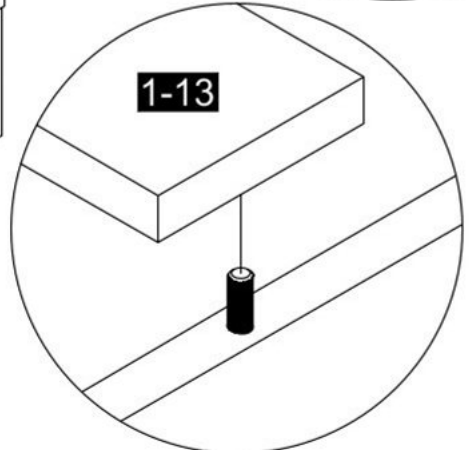
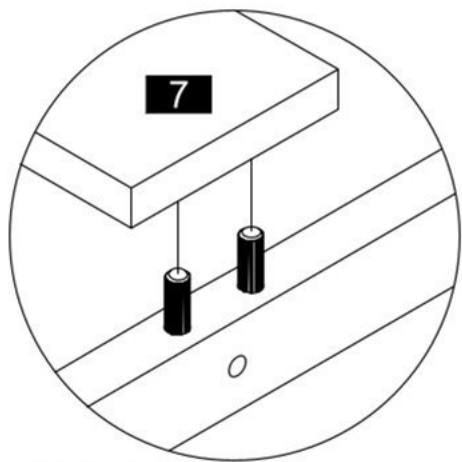
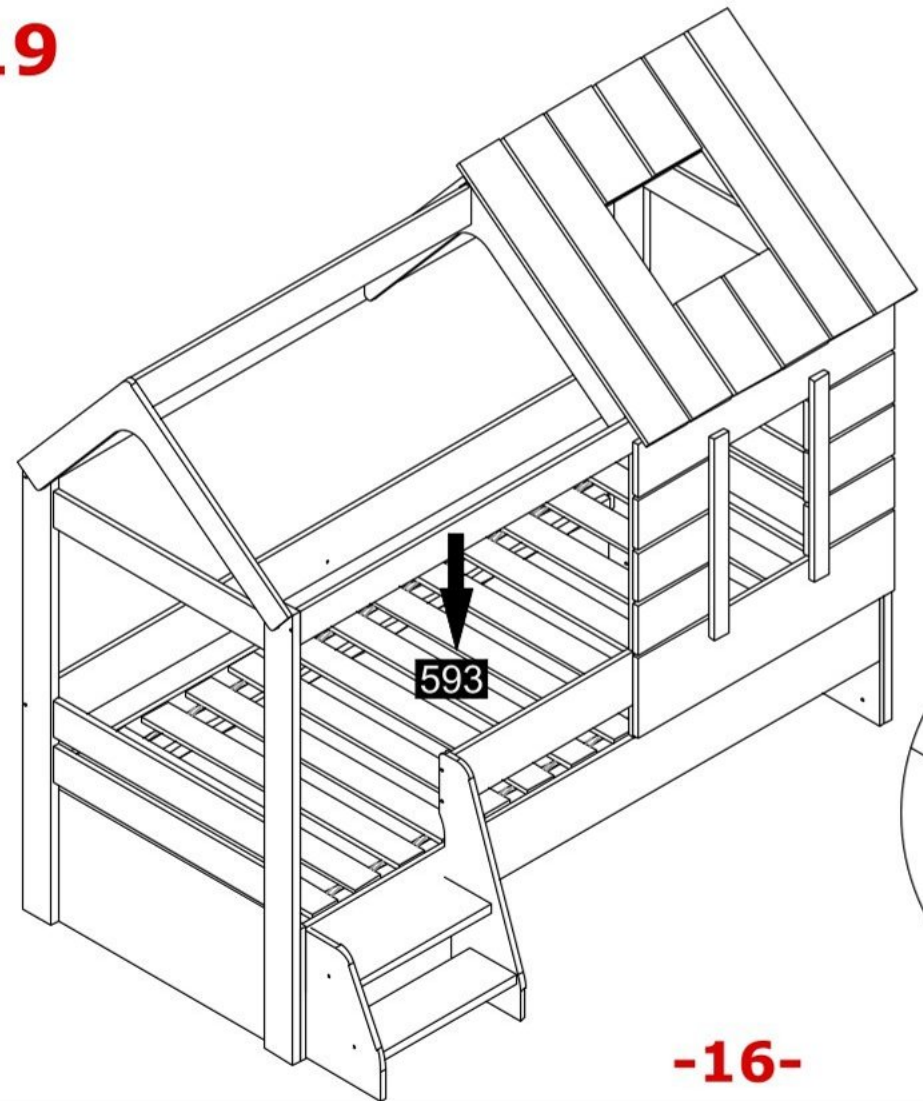
<p>004</p>  <p>2x</p>	<p>510</p>  <p>2x</p>
<p>131</p>  <p>1x</p>	<p>125</p>  <p>2x</p>
<p>041</p>  <p>1x</p>	<p>002</p>  <p>2x</p>

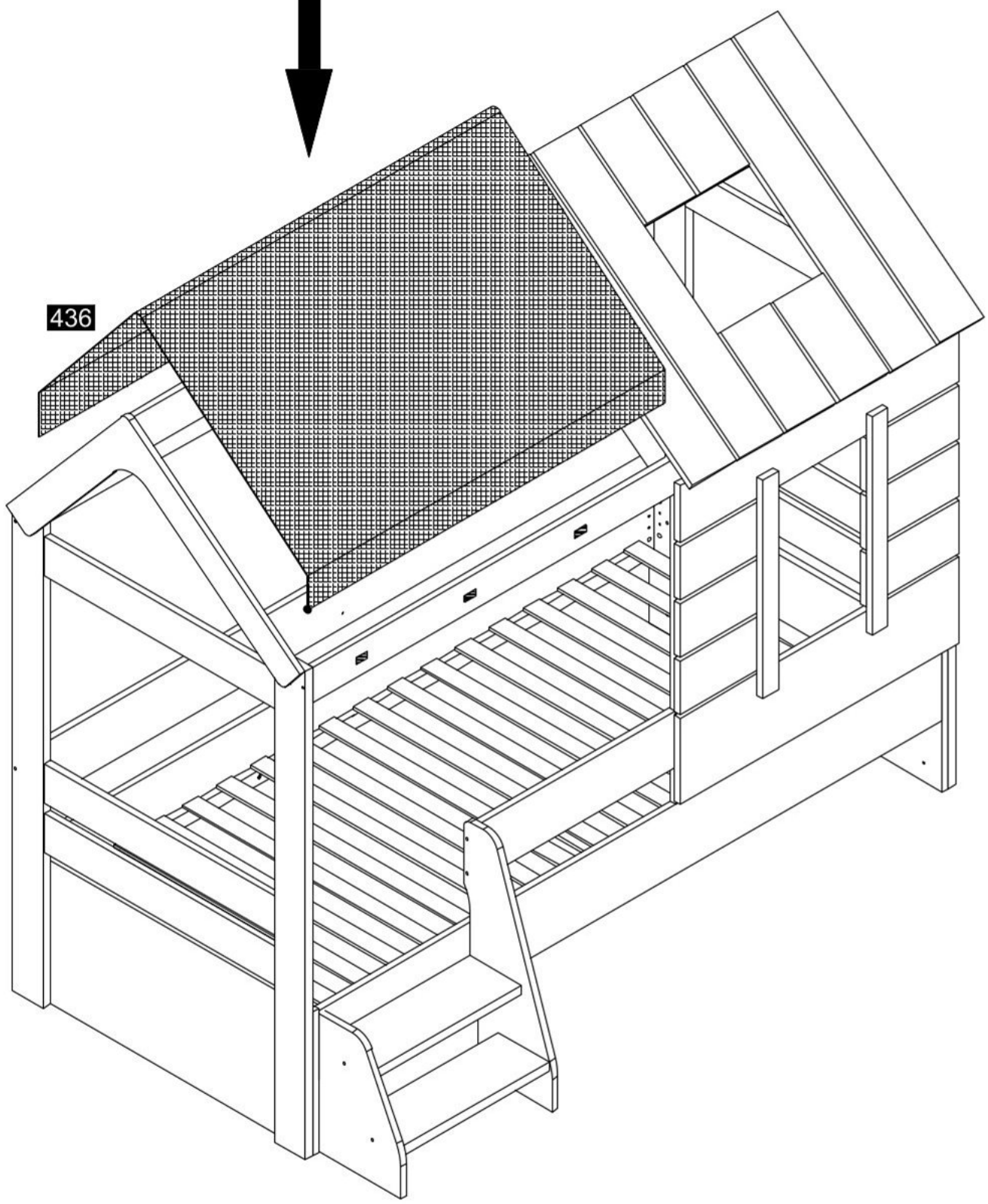
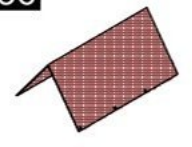


18



19





436