


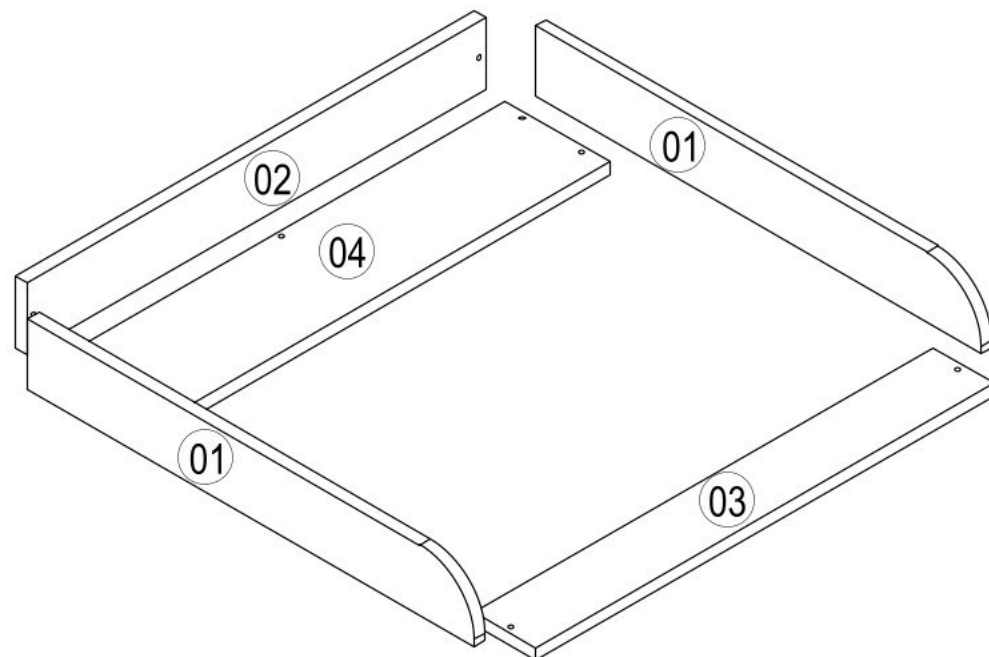


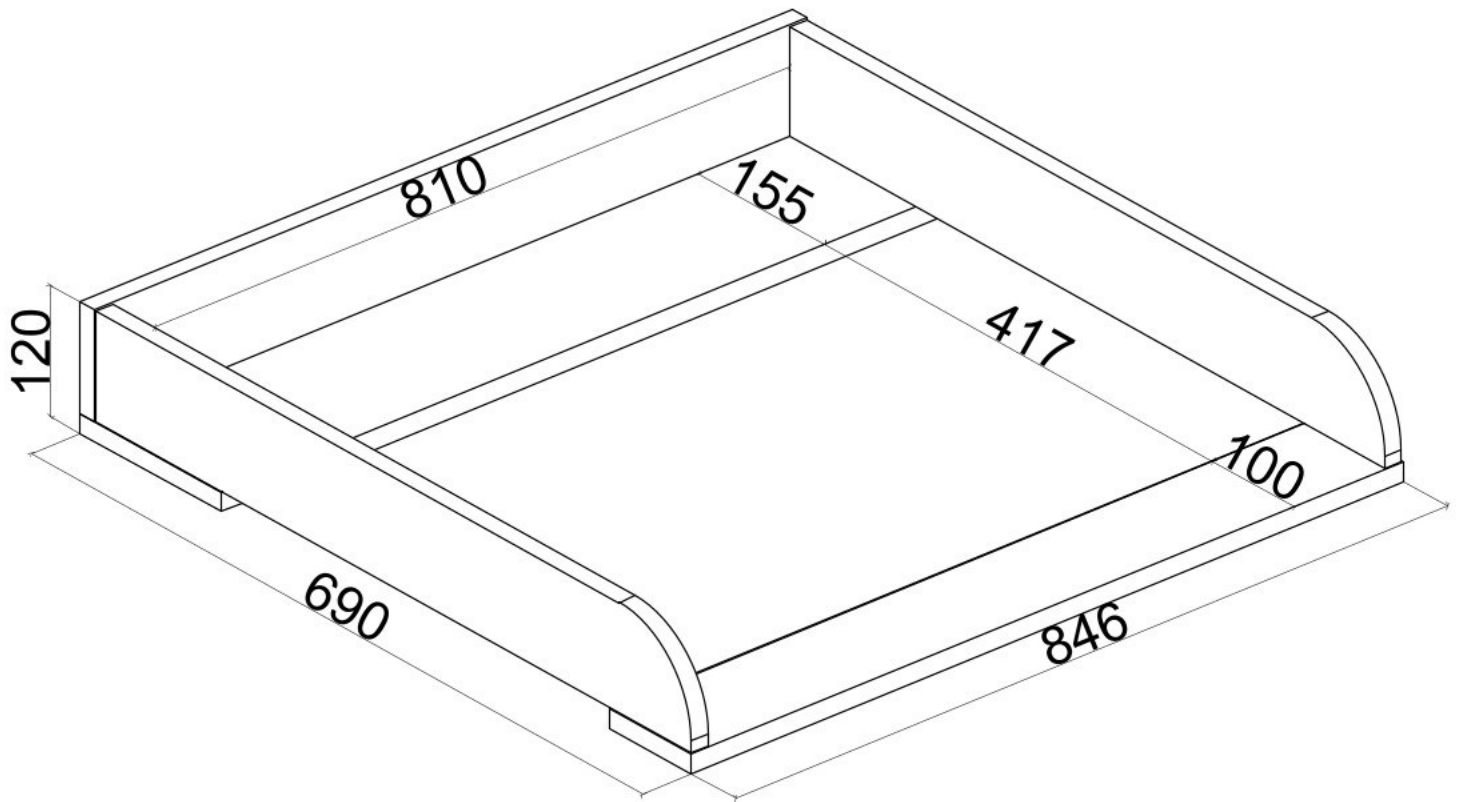
AKSESUAR LİSTESİ / ACCESSORIES LIST

ACCESSORIE NO : 091 KABİN VİDASI (50mm)	ACCESSORIE NO : 092 4*18 MM S. VİDASI	ACCESSORIE NO : 604 48x16 LAMA		
 9 ADET	 7 ADET	 3 ADET		

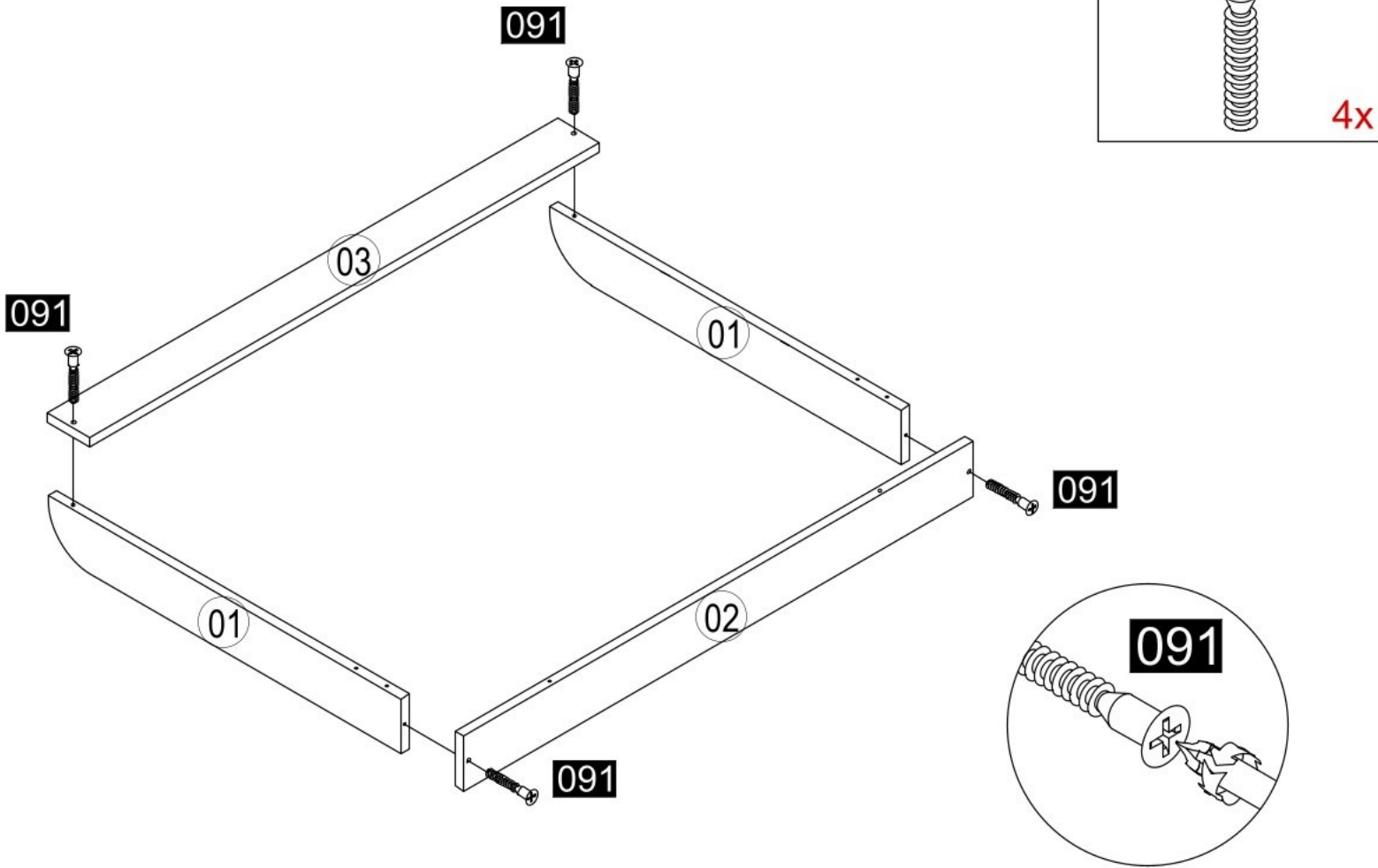


FR-002

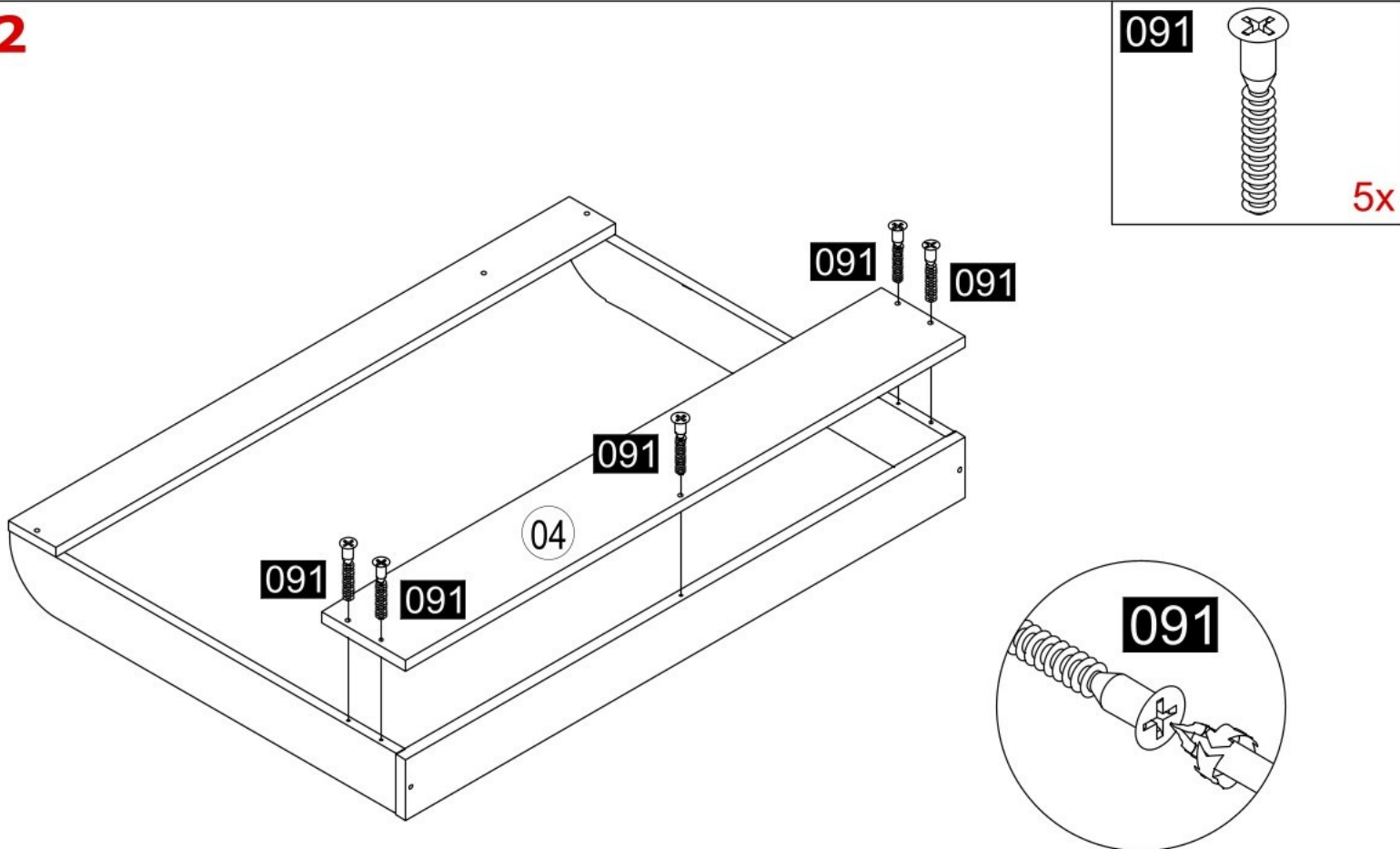
NO	ADET/PCS	NO	ADET/PCS	NO	ADET/PCS
01	2				
02	1				
03	1				
04	1				



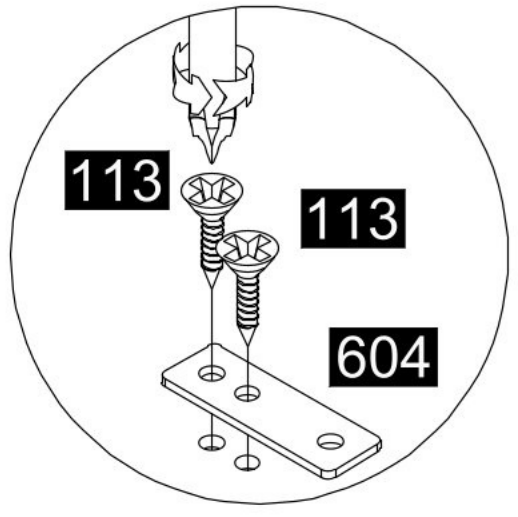
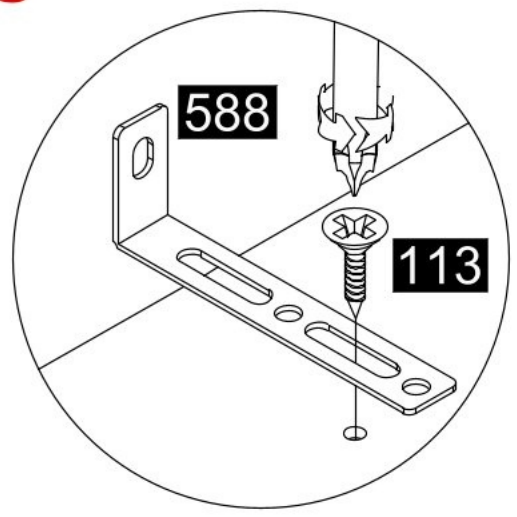
1



2



3

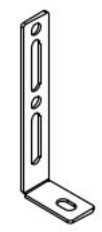


604



2x

091

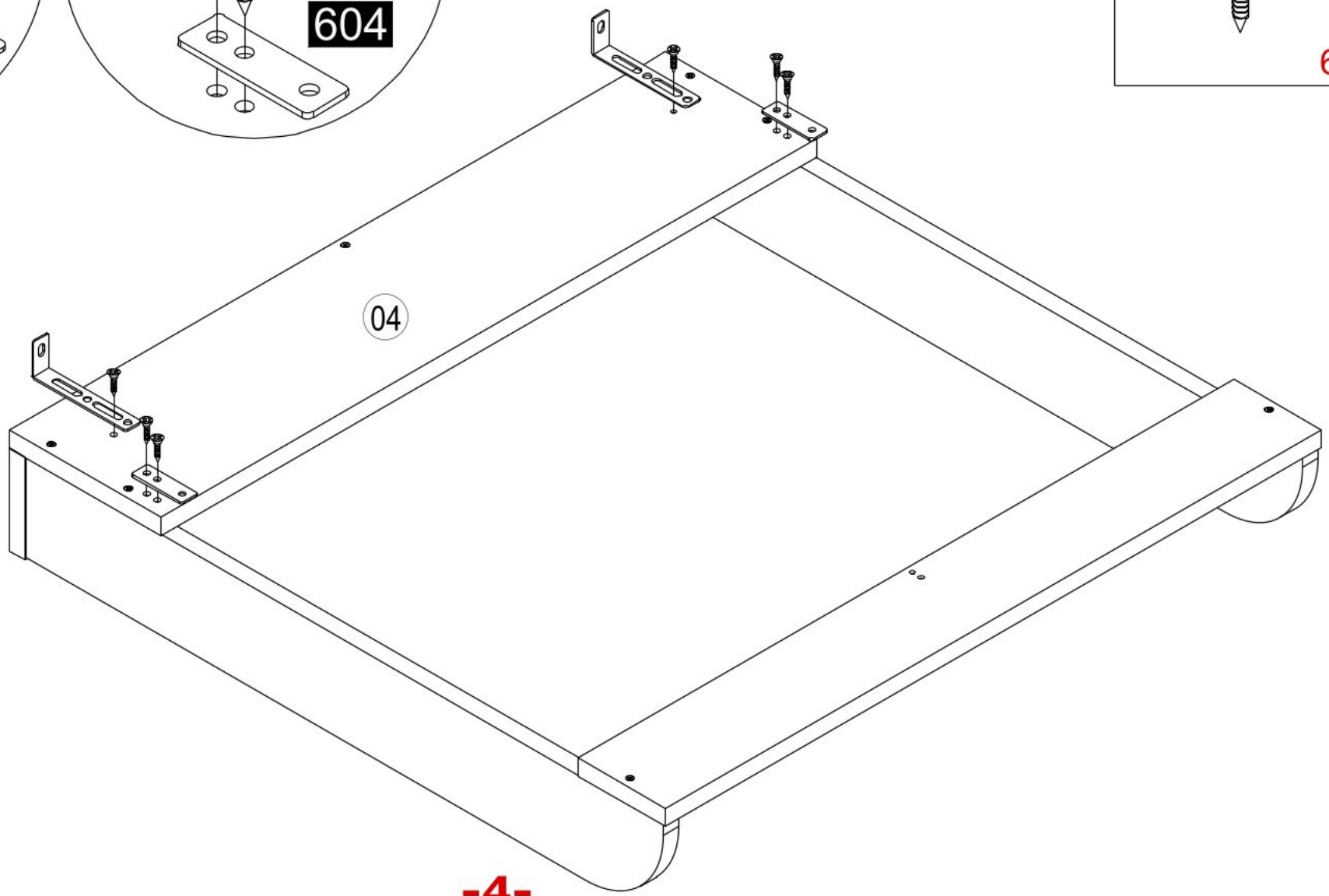


2x

113



6x



4

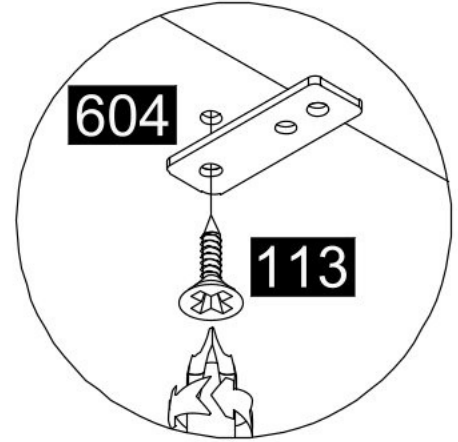
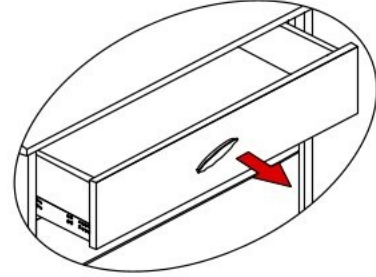
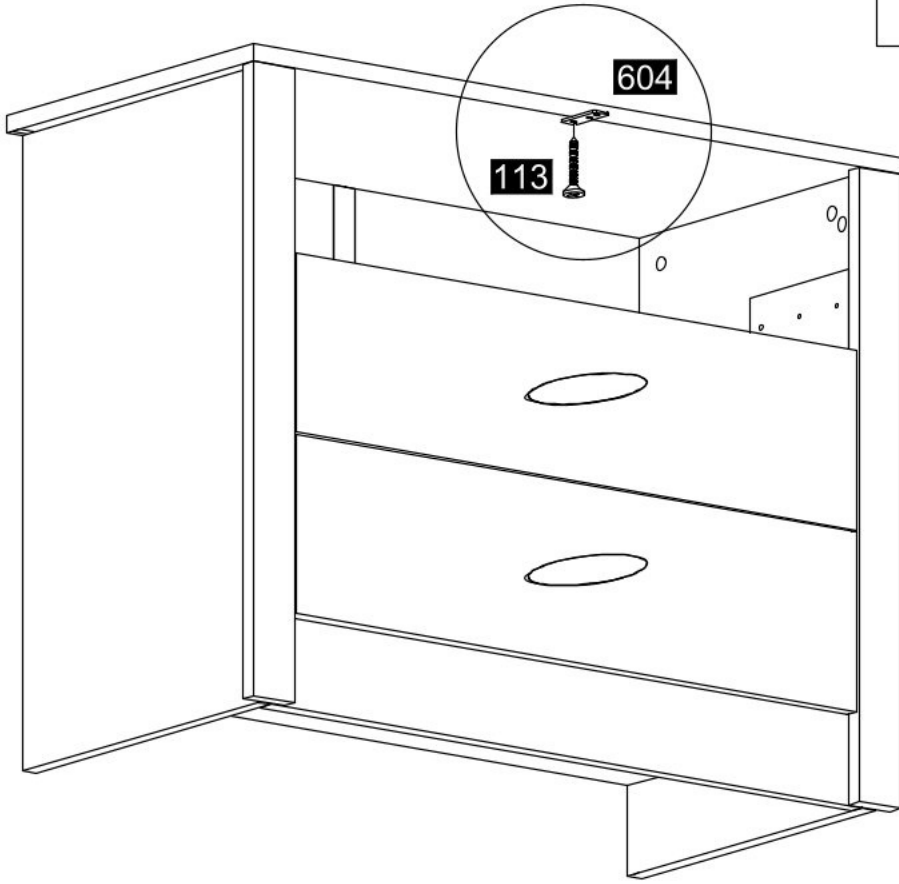
113

604



1x

1x

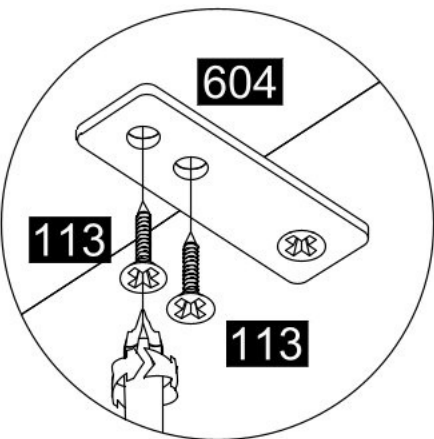
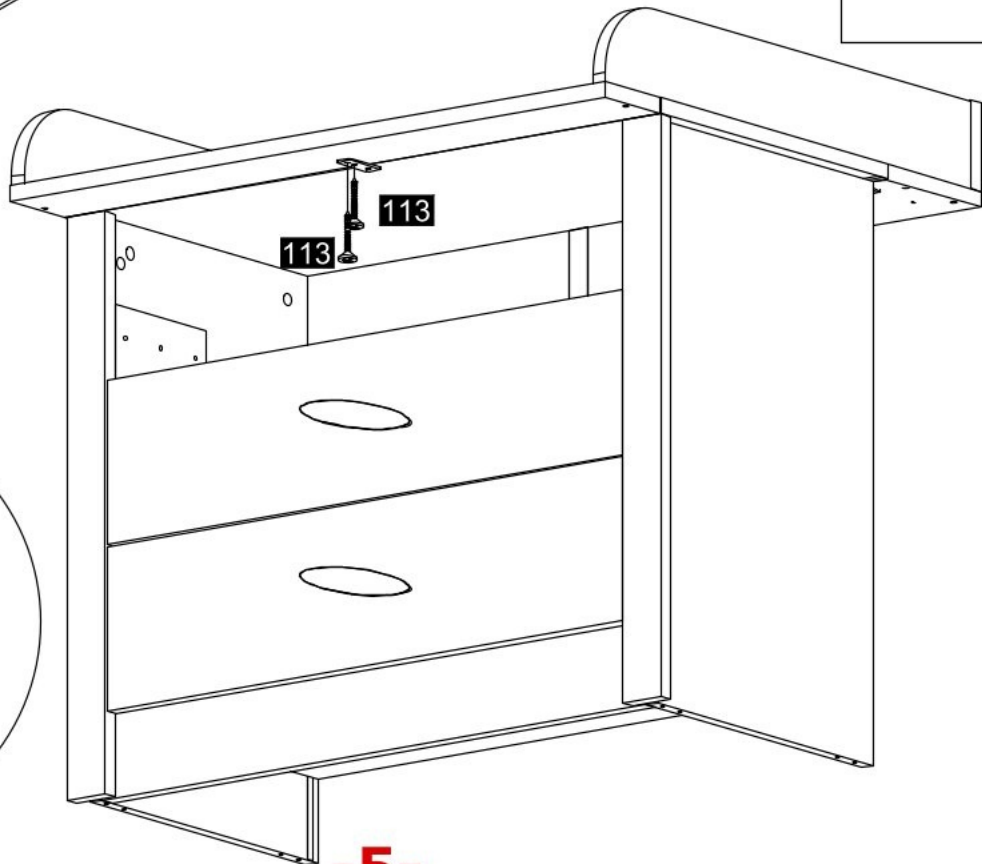
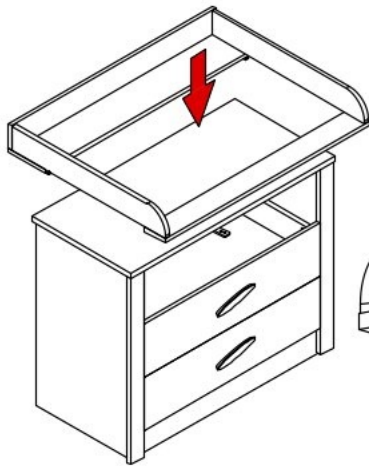


5

113



2x



6

WALL

