




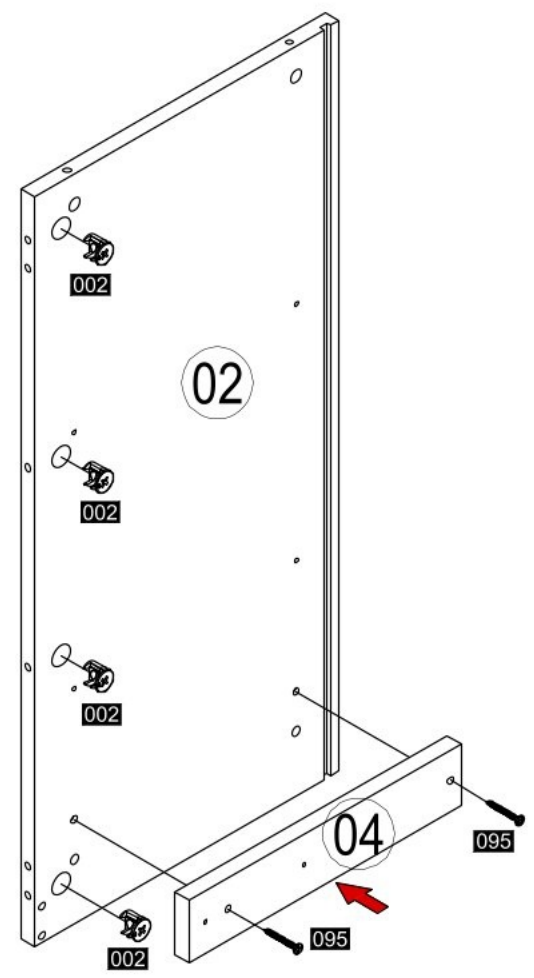
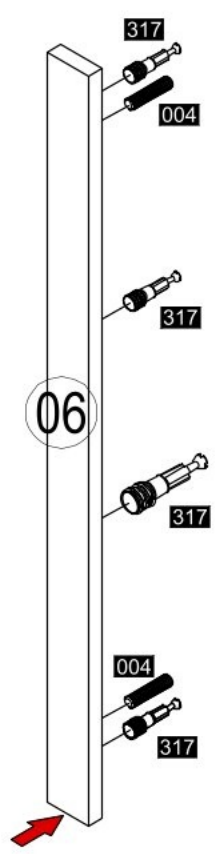
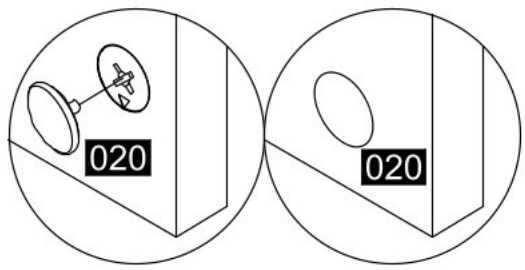
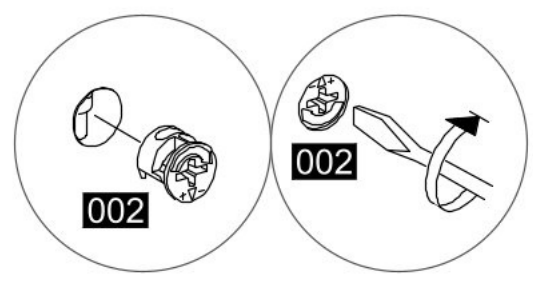
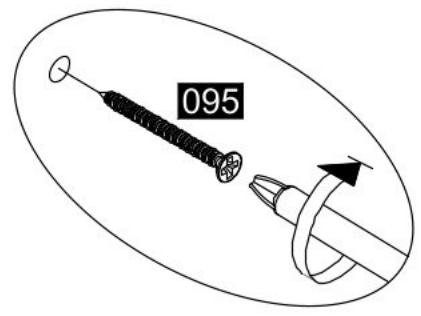
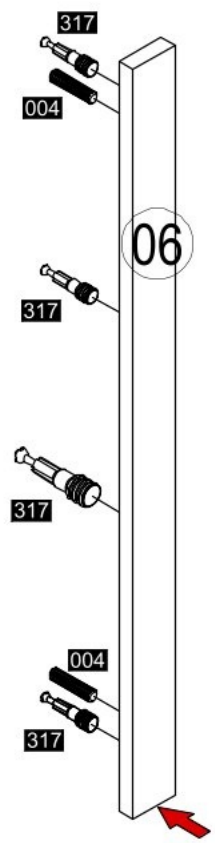
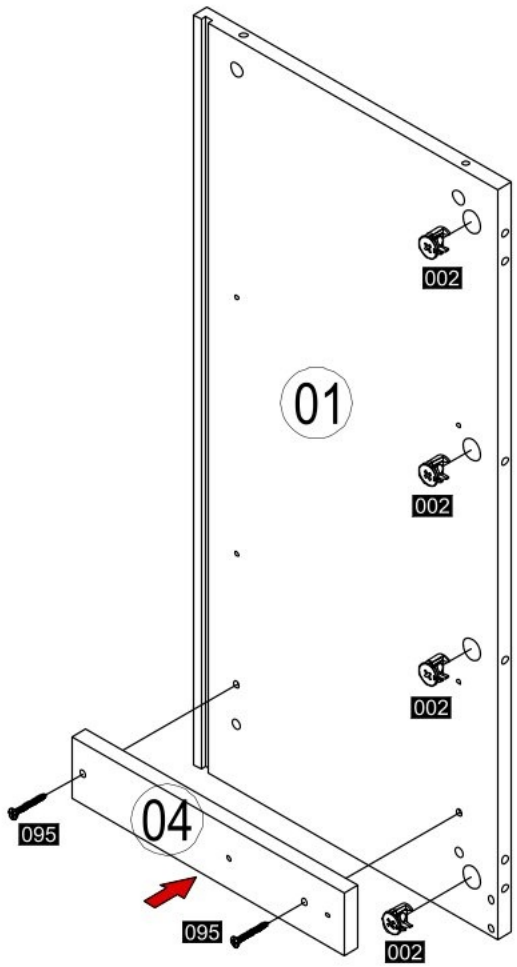


1

<p><b>095</b></p>  <p>4x</p>	<p><b>002</b></p>  <p>8x</p>
<p><b>020</b></p>  <p>6x</p>	<p><b>317</b></p>  <p>8x</p>
<p><b>004</b></p>  <p>4x</p>	



2

002



4x

317

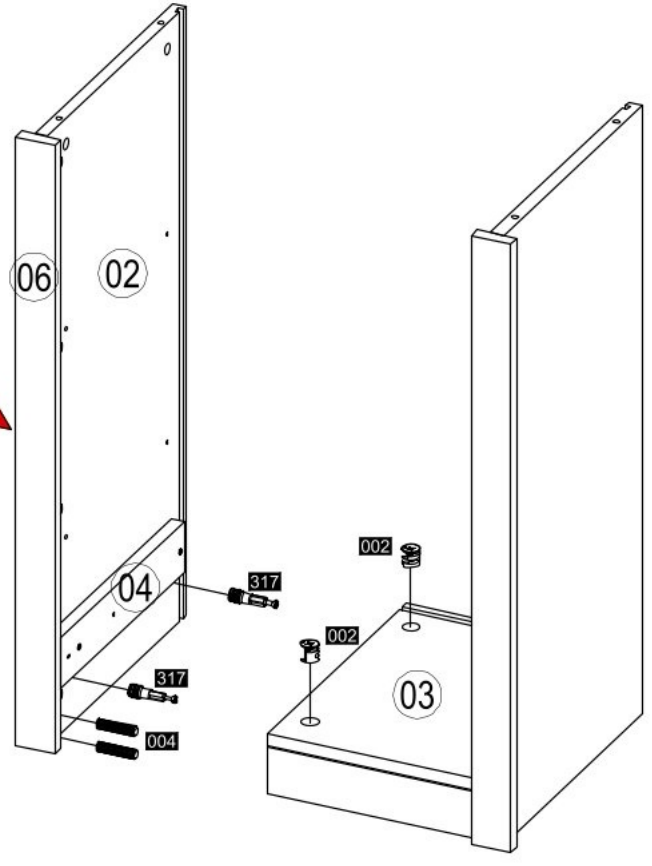
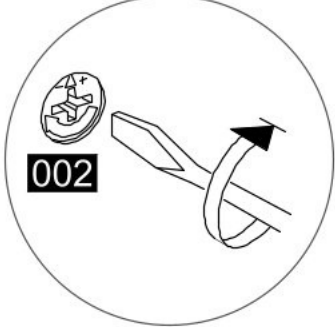
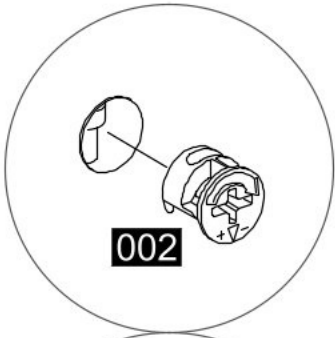
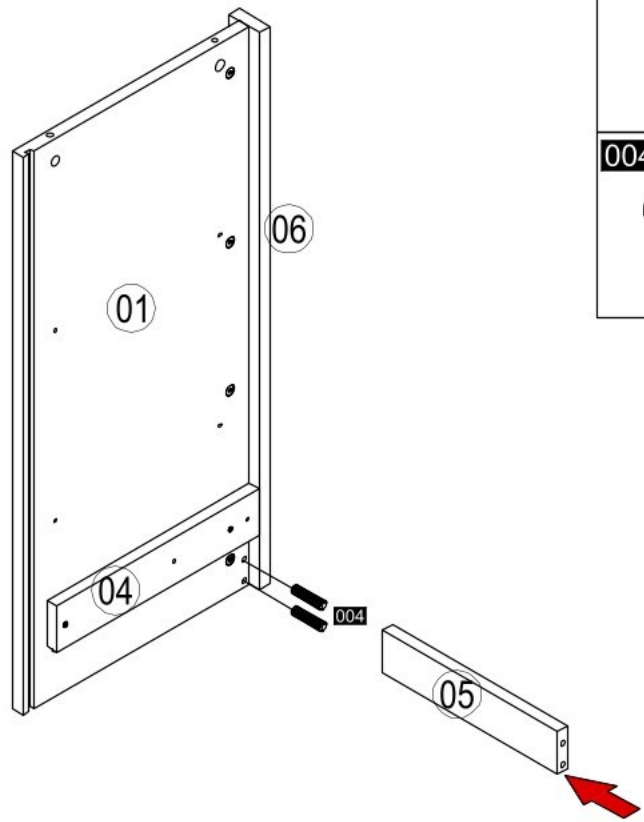
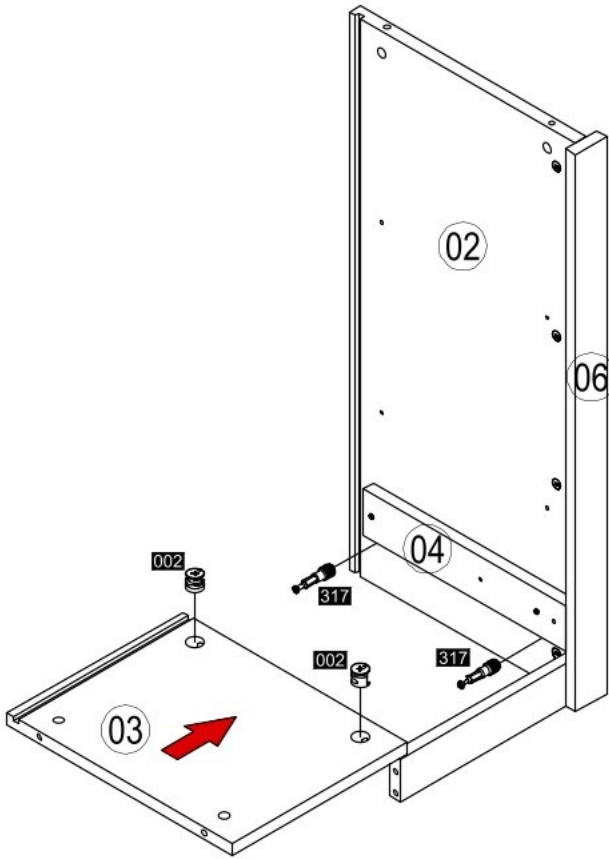


4x

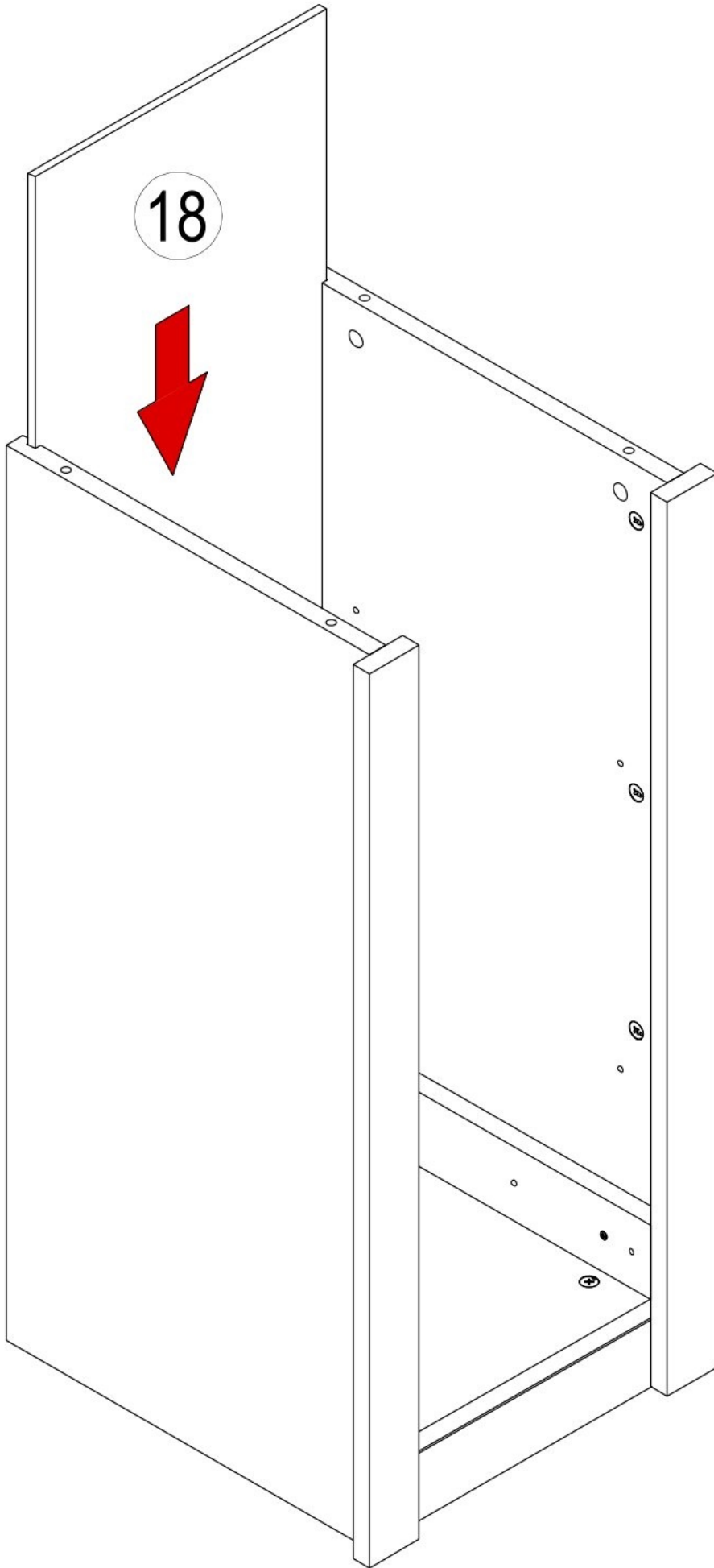
004



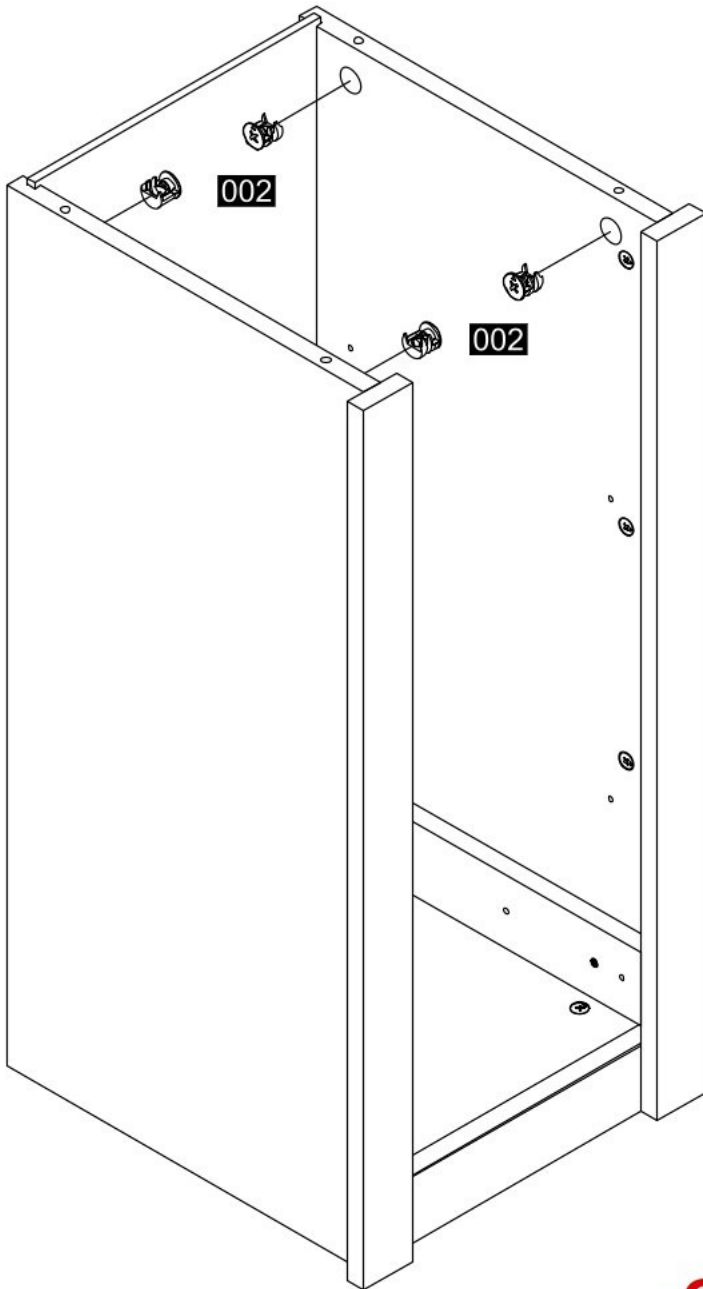
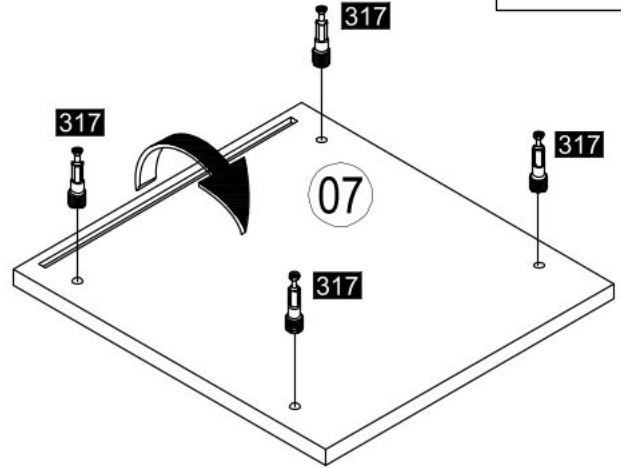
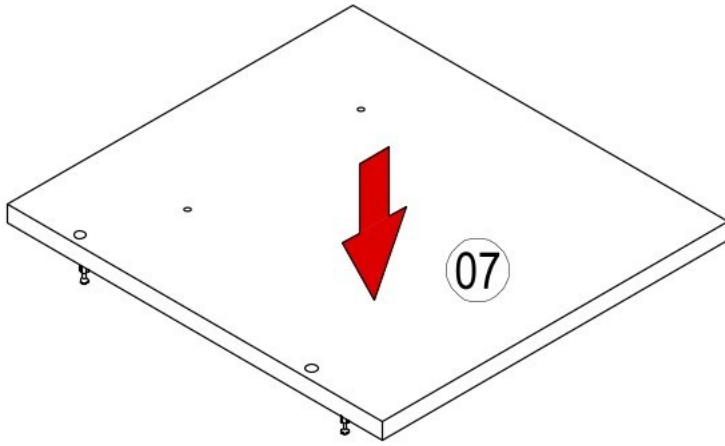
4x



**3**



4



002



4x

317

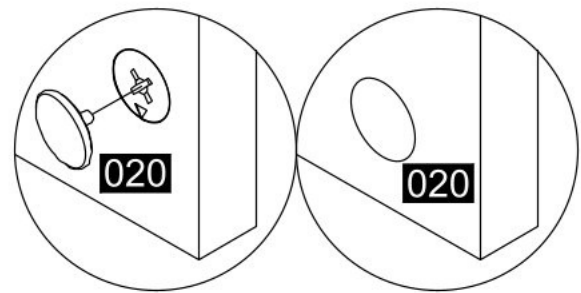
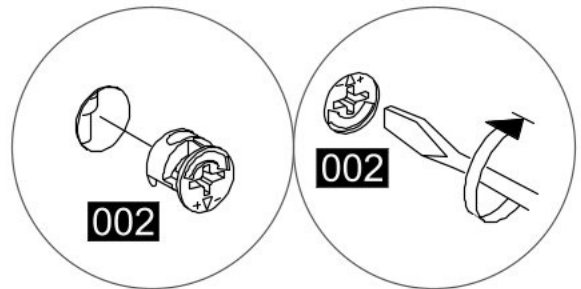


4x

020

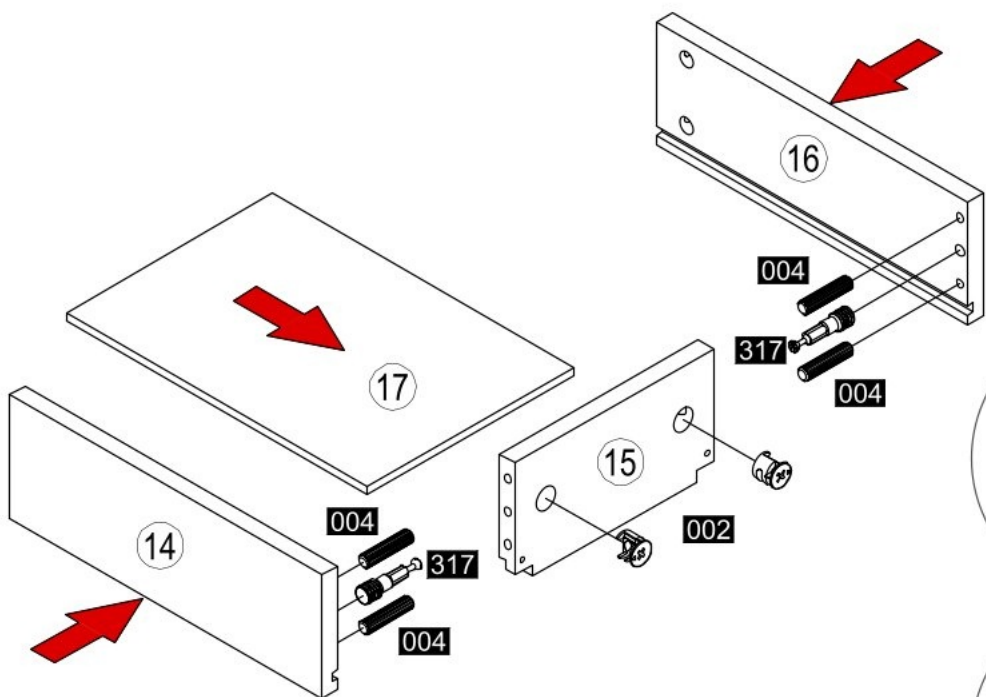


4x

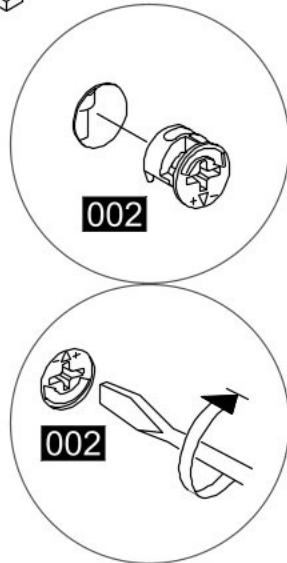




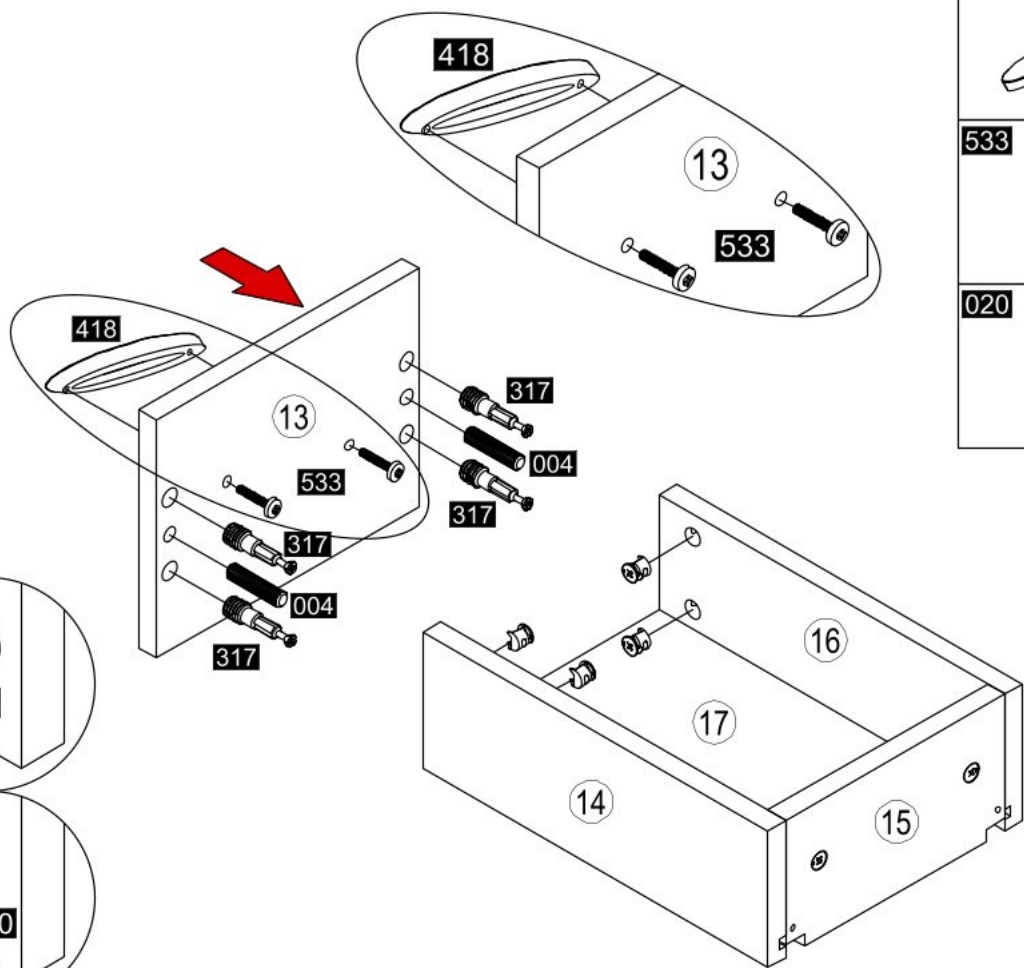
5



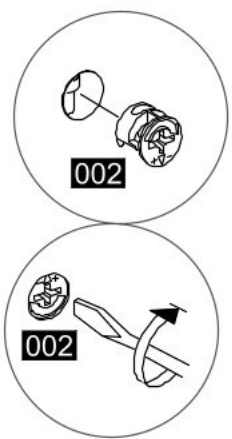
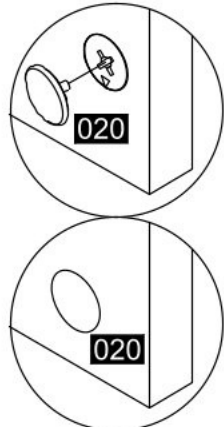
- |     |  |    |
|-----|--|----|
| 002 |  | 2x |
| 317 |  | 2x |
| 004 |  | 4x |



6

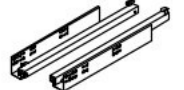


- |     |  |    |
|-----|--|----|
| 418 |  | 1x |
| 002 |  | 4x |
| 533 |  | 2x |
| 317 |  | 4x |
| 020 |  | 4x |
| 004 |  | 2x |



7

410

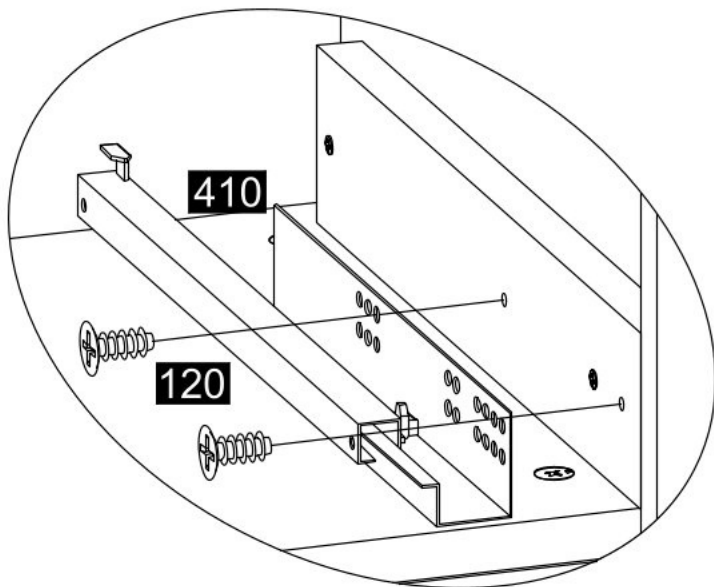
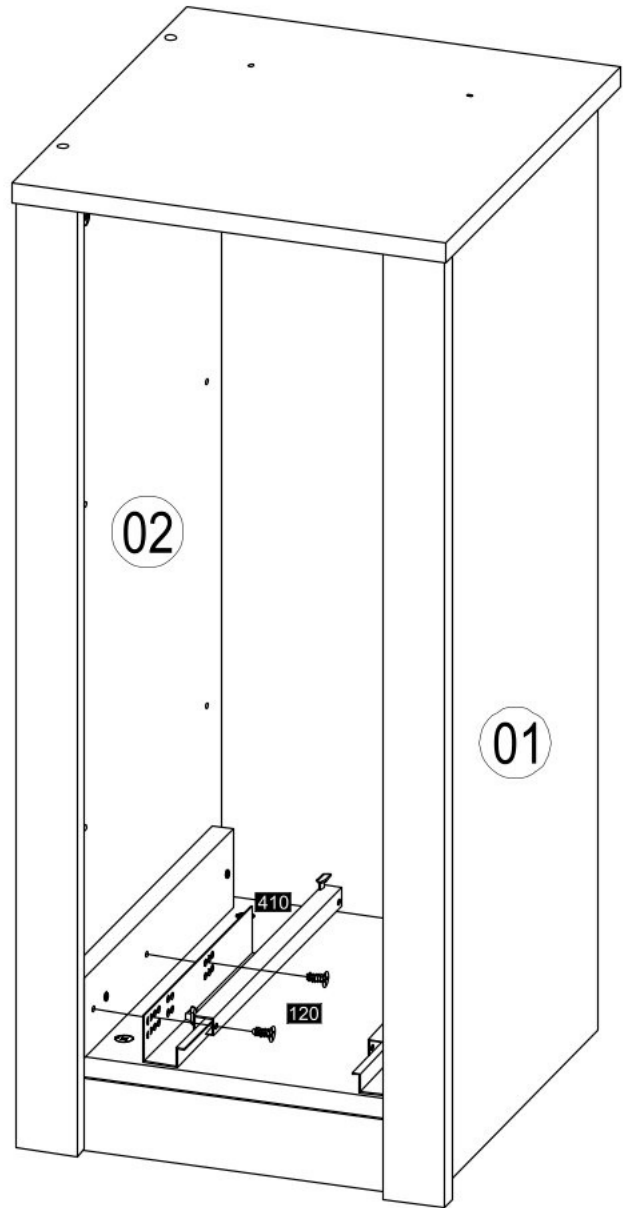
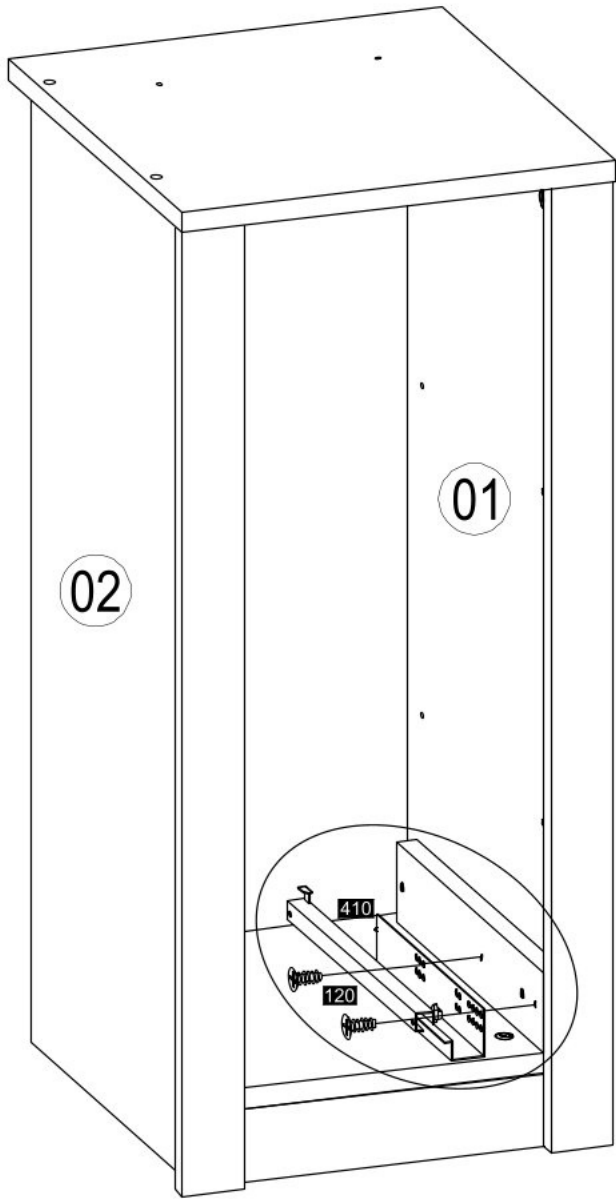


1x

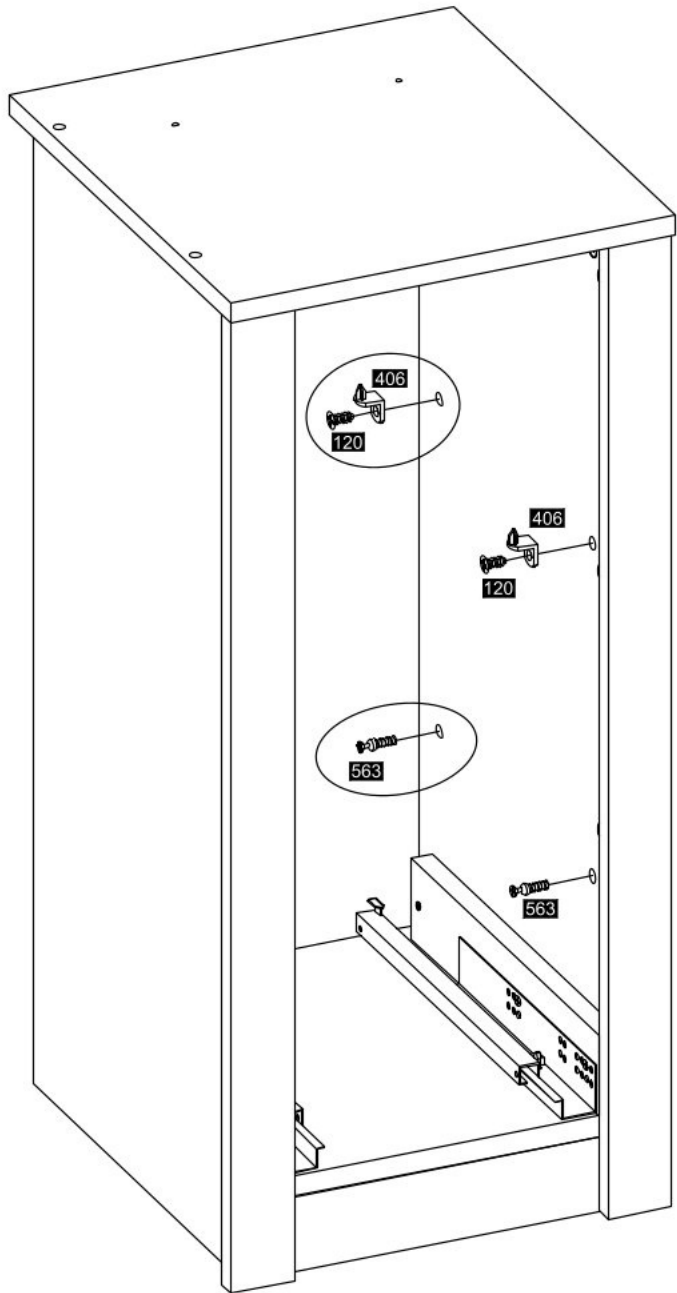
120






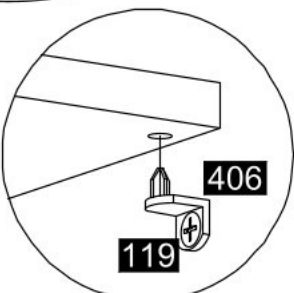
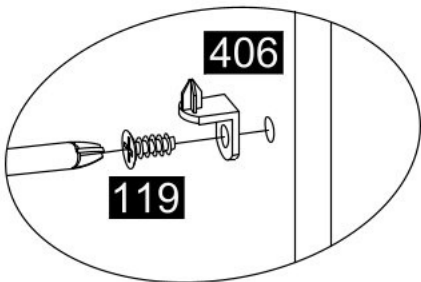
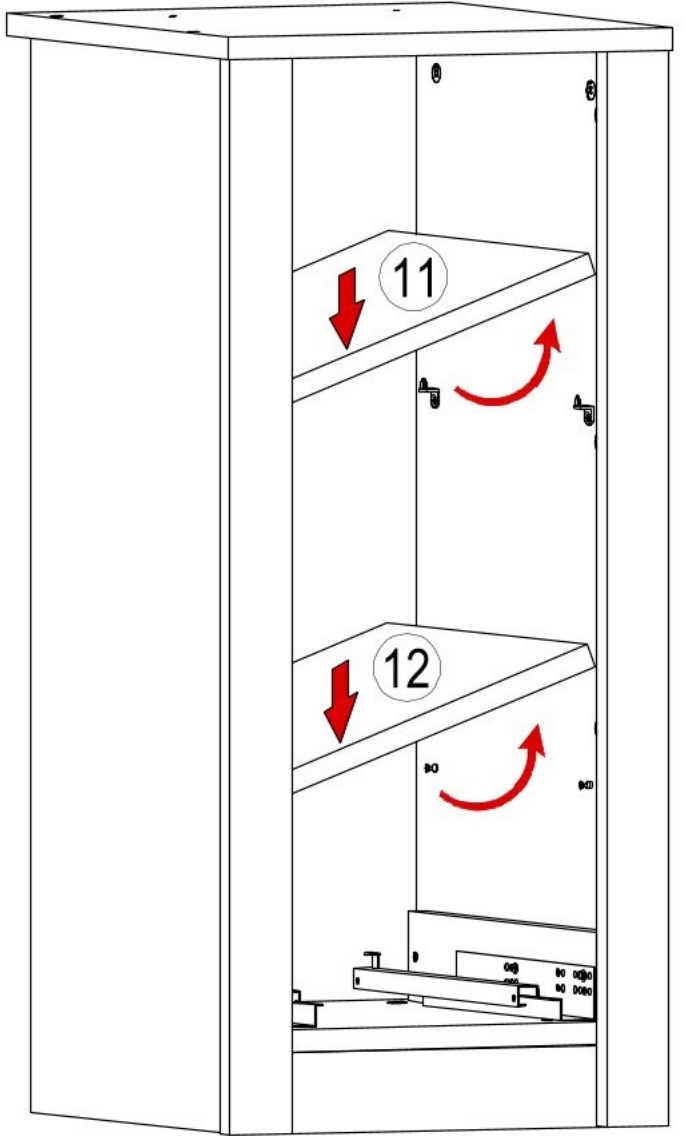
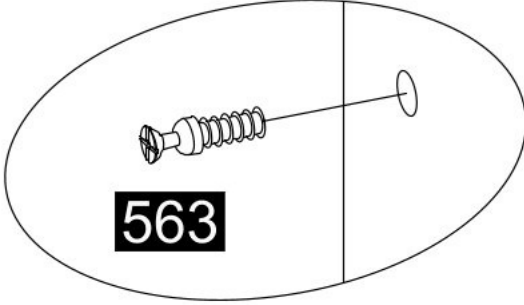
4x

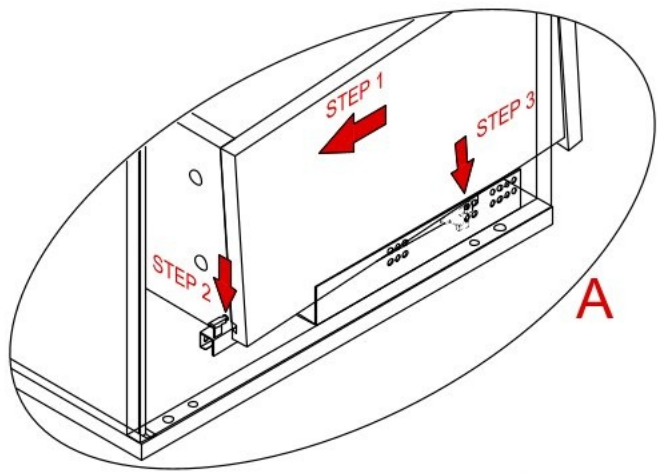
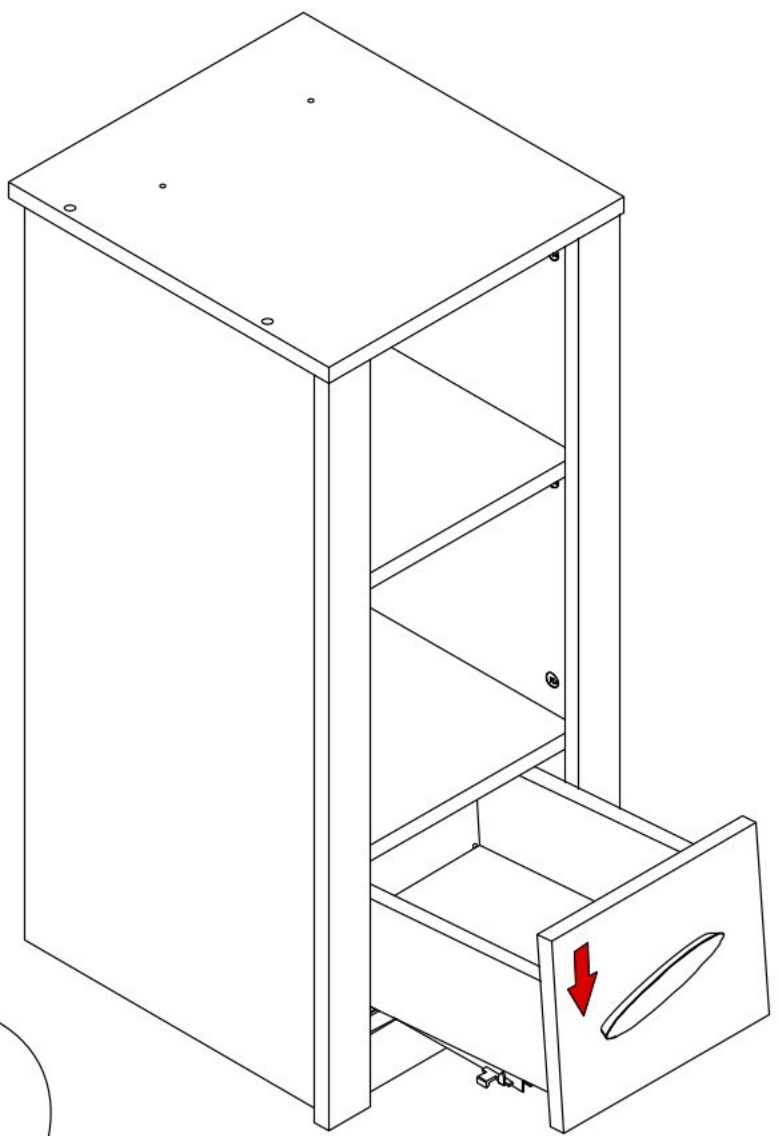
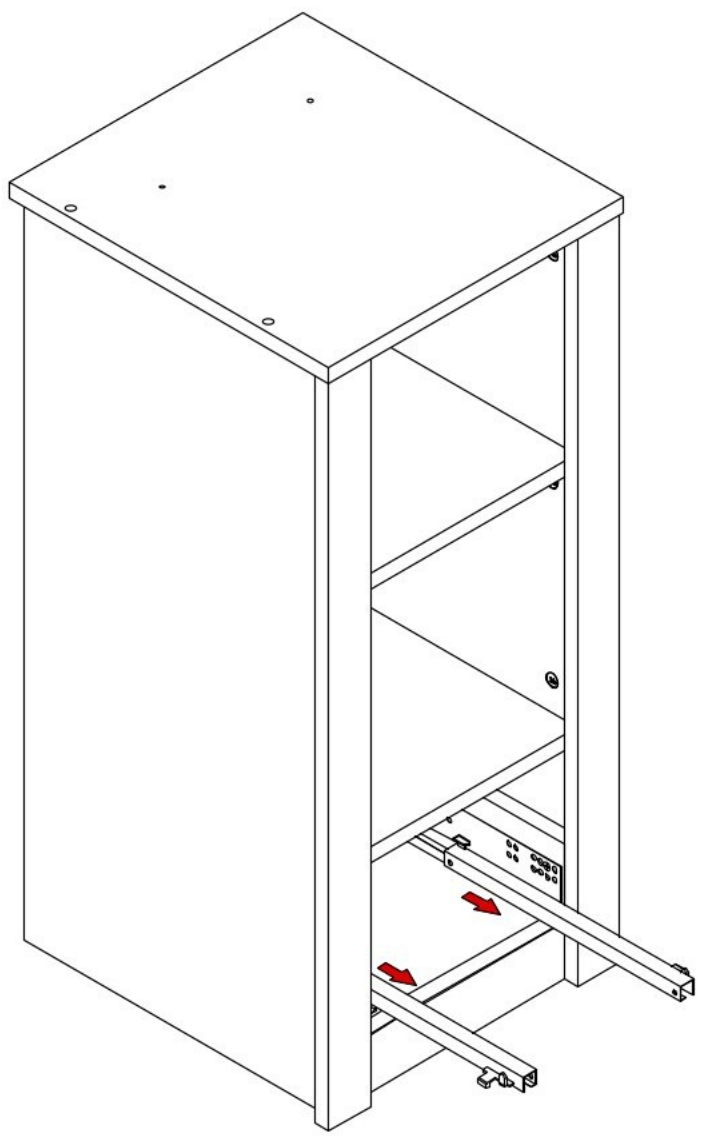




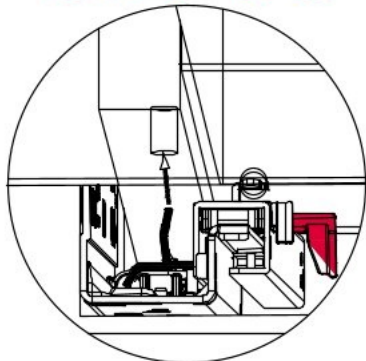


- 563**  4x
- 406**  4x
- 120**  4x

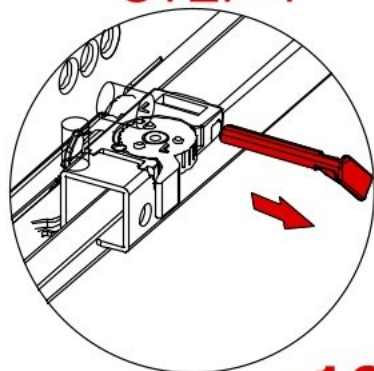




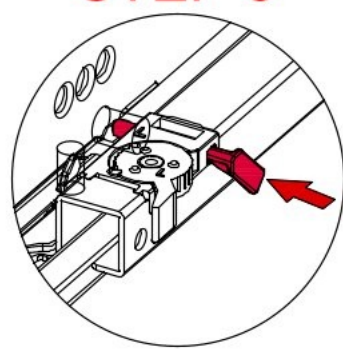
STEP 2-3



STEP 4



STEP 5



STEP 6



10

002



2x

317

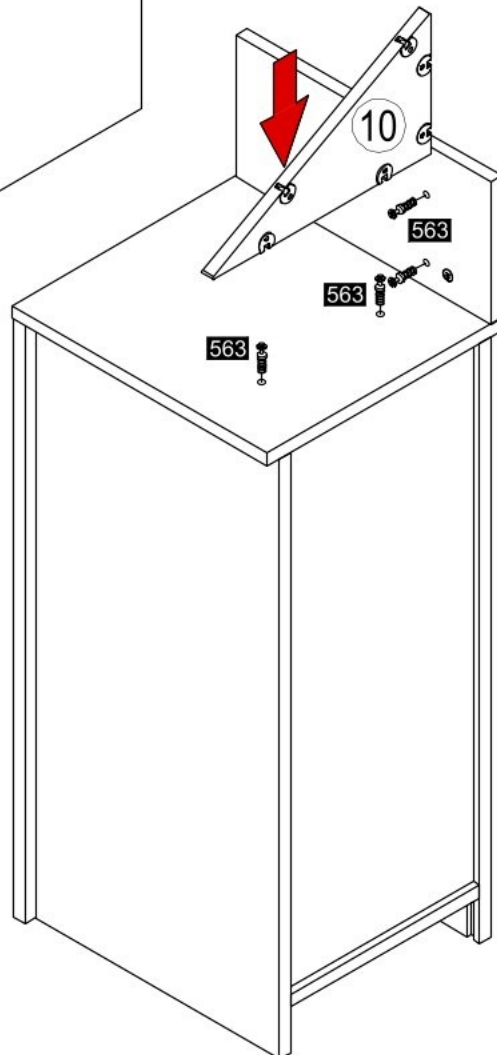
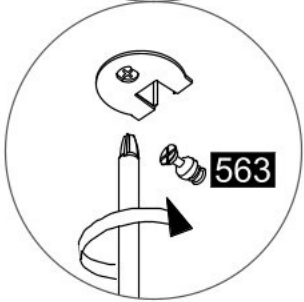
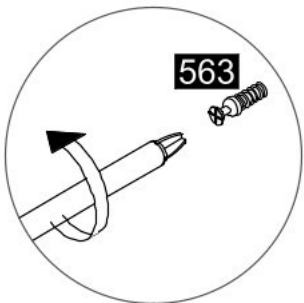
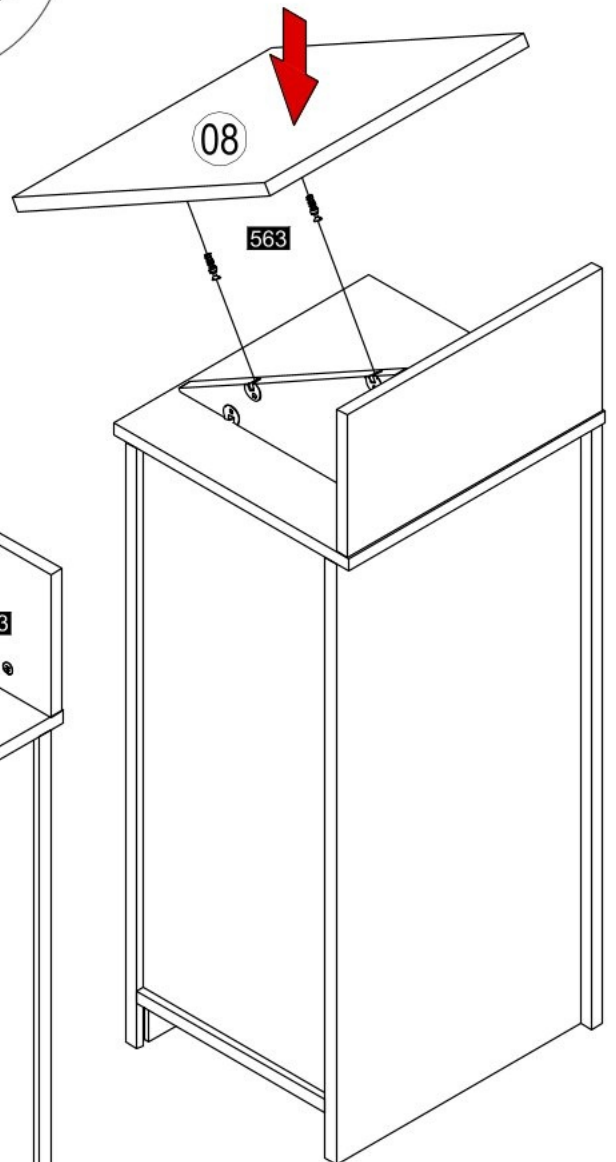
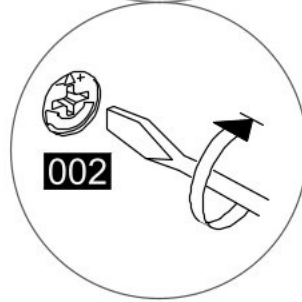
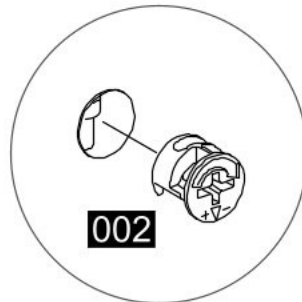
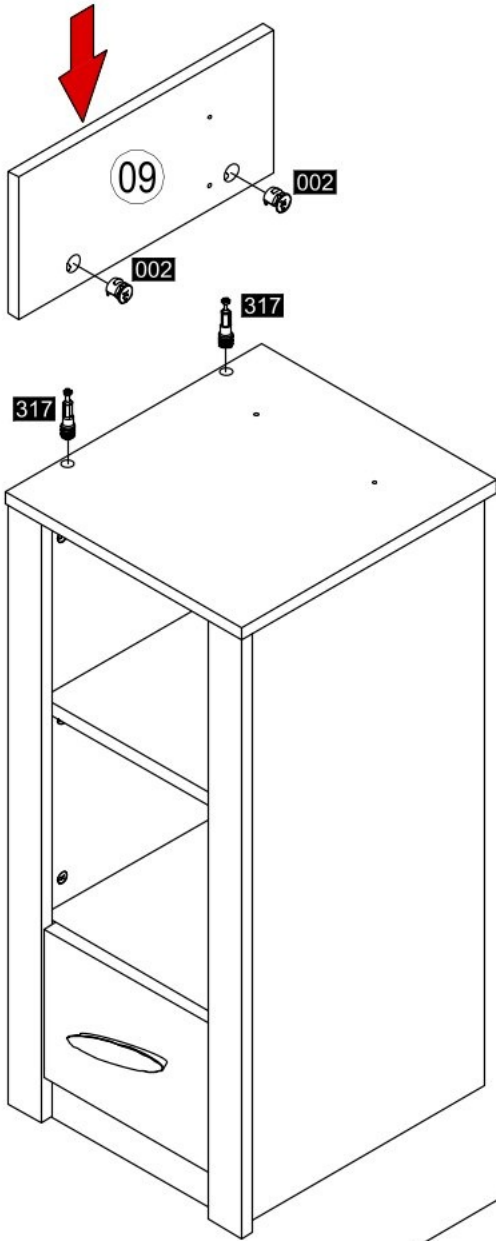


2x

563



6x



011



8x

